

POWER

SHIP EQUIPMENT

IT PRODUCES STAINLESS STEEL PRODUCTS, MARINE HARDWARE, CONSTRUCTION HARDWARE, WHICH ARE WIDELY USED IN MARINE TRANSPORTATION, ELECTRIC SHIP AND MANY OTHER FIELDS AND PROVIDES OEM AND ODM SERVICES.

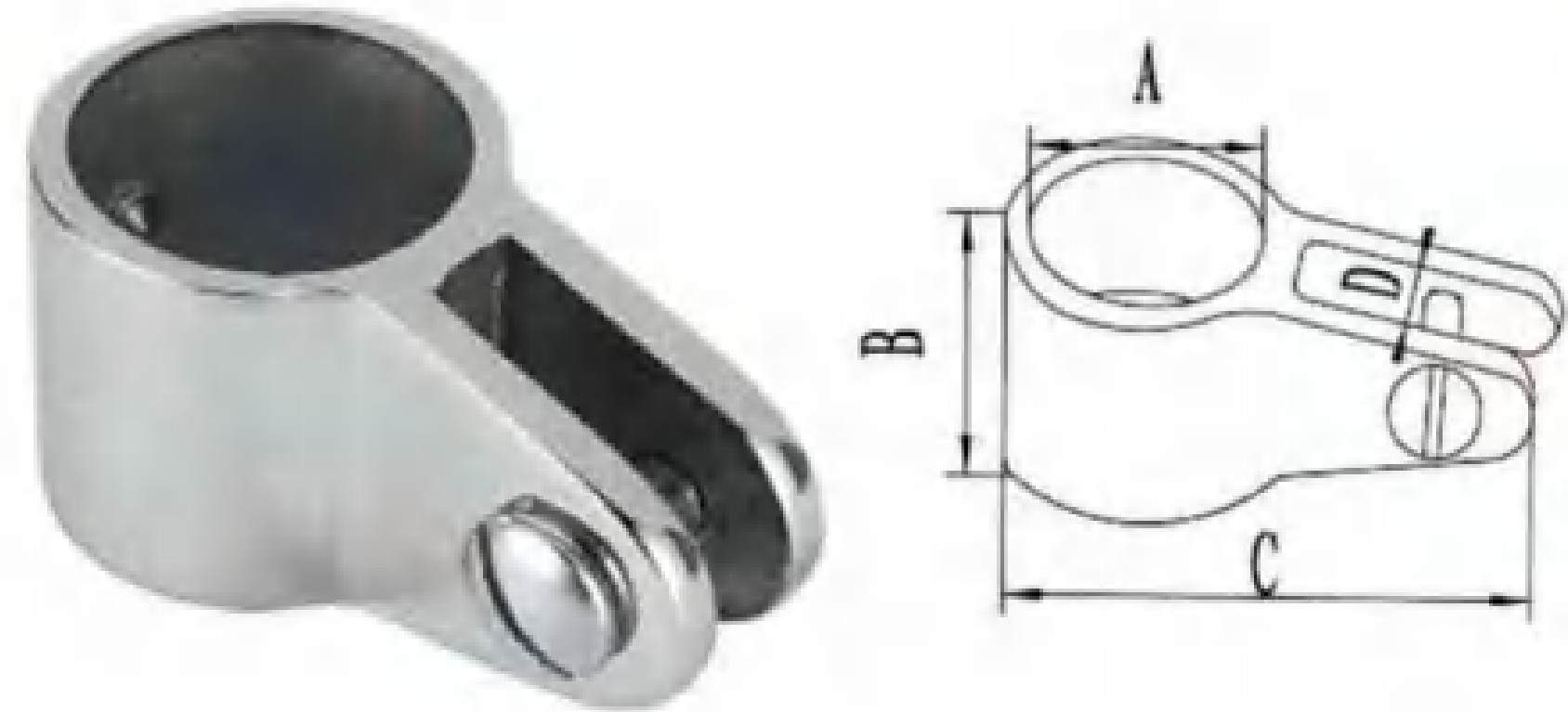
Power Marine

E-mail: andy@power-marine.net
Mob: +86-15806581717
Contacts: Andy Zhang
Address: Qingdao City, Shandong Province, China

山东威盛工贸有限公司
Shandong Power Industry and Trade Co., Ltd.

TOP SLIDE JAW SLIDE

AISI316 STAINLESS STEEL TOP SLIDE
316不锈钢单顶丝滑套



Code	A mm	B mm	Size
ALS4719	19.5	6.5	3/4"
ALS4722	22.6	6.1	7/8"
ALS4725	25.6	6.9	1"
ALS4730	30.6	7.6	1-1/5"
ALS4732	32.6	7.3	1-1/4"

AISI316 STAINLESS STEEL TOP SLIDE
316不锈钢不带棱角双顶丝滑套



Code	A mm	B mm	C mm	D mm	Size
ALS4822	22.5	60	30	7.5	7/8"
ALS4825	25.6	62	31	8	1"

AISI316 STAINLESS STEEL TOP SLIDE
316不锈钢带棱角双顶丝滑套



Code	A mm	B mm	C mm	D mm	Size
ALS4922	22.6	60	30	7.5	7/8"
ALS4925	25.7	62	31	7.6	1"

AISI316 STAINLESS BIMINI TOP HANDRAIL
316不锈钢滑套



Code	Diameter
ALS4927-22	22mm
ALS4927-25	25mm

AISI316 STAINLESS BIMINI TOP HANDRAIL
316不锈钢滑套



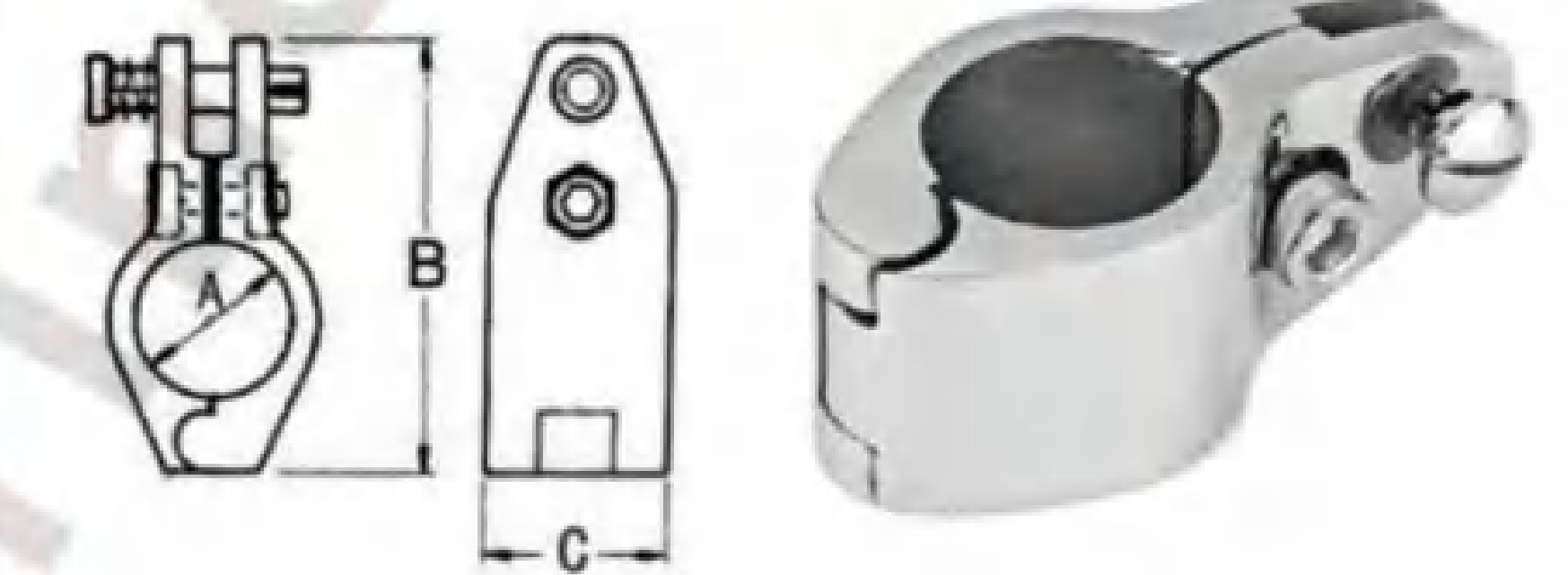
Code	Amm	Bmm	Cmm	Dmm	Size
ALS4928-22	49.5	28	27.6	7/8"	

AISI316 STAINLESS STEEL BRACKET
316不锈钢底座



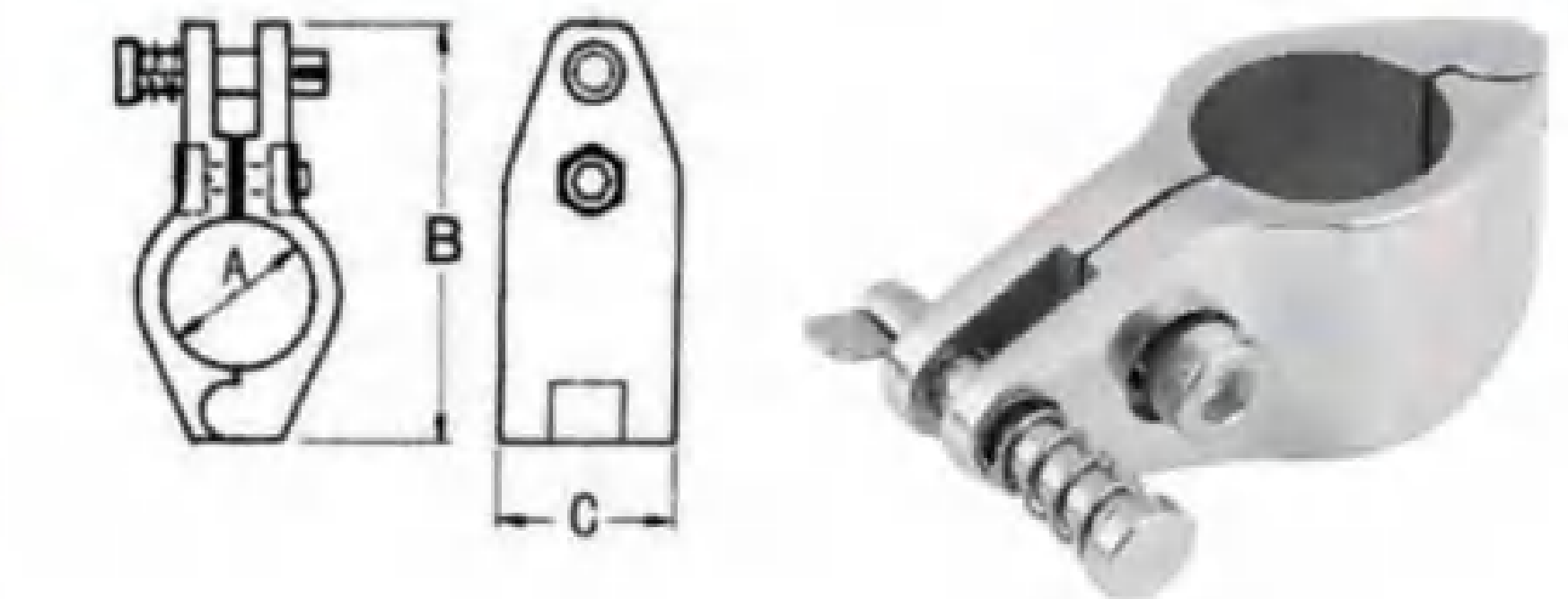
Code	A mm	B mm	C mm	Dmm	Emm
ALS5928A	59.7	28.5	30.9	5	5.5

AISI316 STAINLESS STEEL TOP SLIDE
316不锈钢螺栓管夹



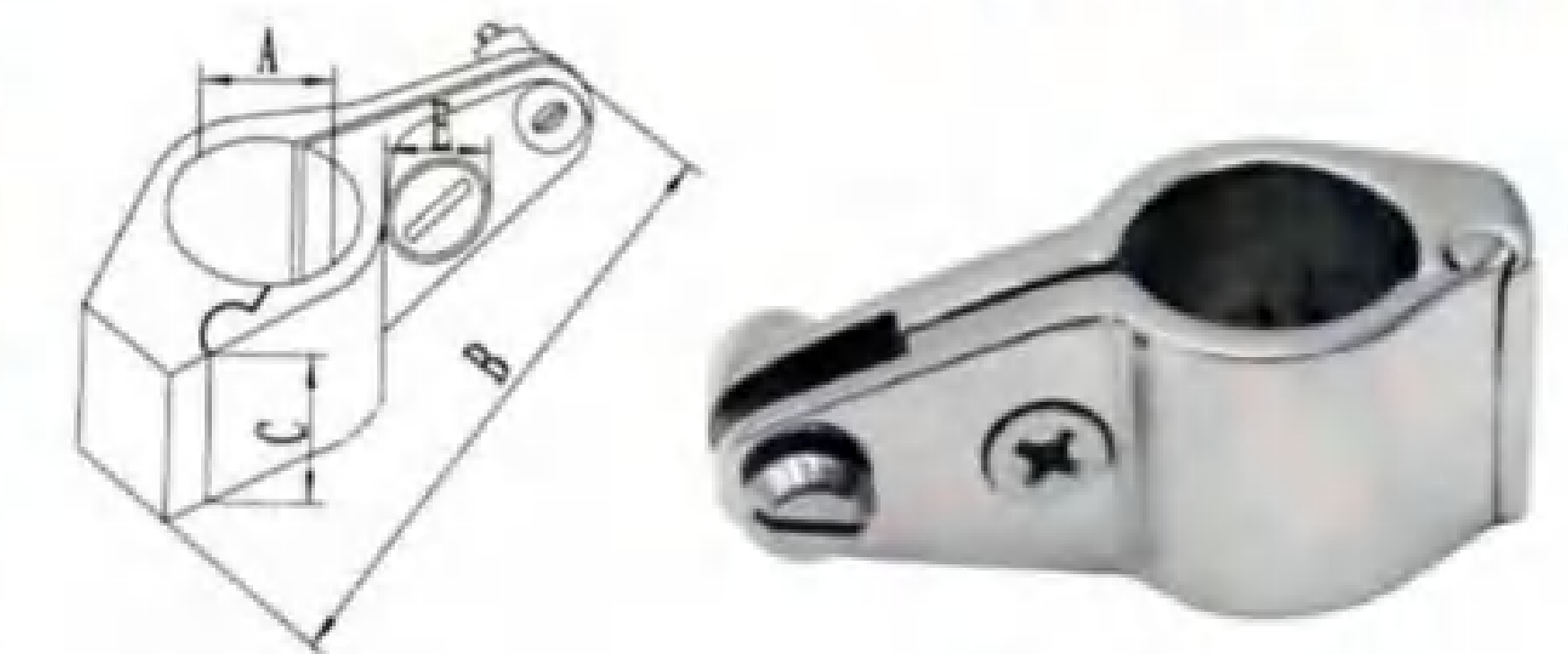
Code	A mm	B mm	C mm	Size
ALS5022	22.5	64	27	7/8"
ALS5025	25.5	70	28	1"
ALS5030	30.5	78	29	1-1/5"
ALS5032	32.5	78	29	1-1/4"
ALS5028	38.6	80	30	1-1/2"
ALS5050	50.6	80	30	2"

AISI316 STAINLESS STEEL TOP SLIDE WITH PIN
316不锈钢销子管夹



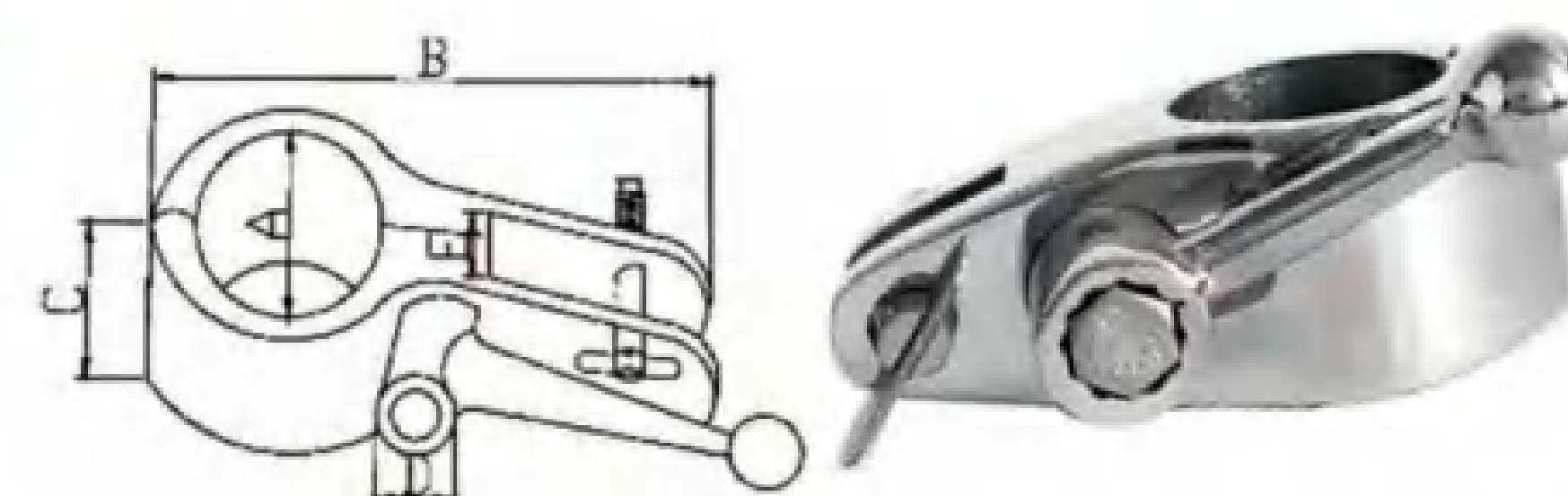
Code	A mm	B mm	C mm	Size
ALS5122	22.5	57	27	7/8"
ALS5125	25.5	70	28	1"
ALS5130	30.5	78	29	1-1/5"
ALS5132	32.5	78	29	1-1/4"

AISI316 STAINLESS STEEL TOP SLIDE
316不锈钢重型螺栓管夹



Code	A mm	B mm	C mm	Size
ALS5222	22.5	71	30	7/8"
ALS5225	25.5	75	31	1"
ALS5230	30.5	84	32	1-1/5"

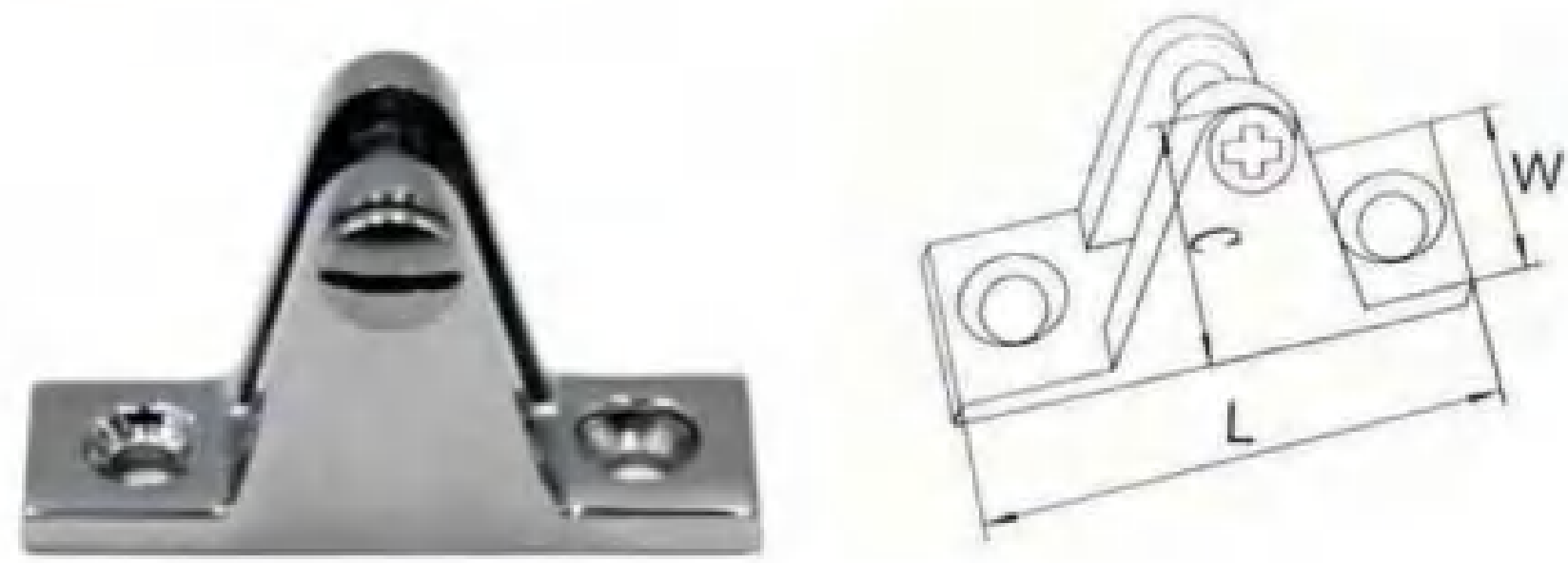
AISI316 STAINLESS STEEL TOP SLIDE
316不锈钢球形把手螺栓管夹



Code	A mm	B mm	C mm	D mm	Size
ALS5322	22.5	65	23	4.7	7/8"
ALS5325	25.5	67	25	4.9	1"
ALS5330	30.5	68	28	4.9	1-1/5"

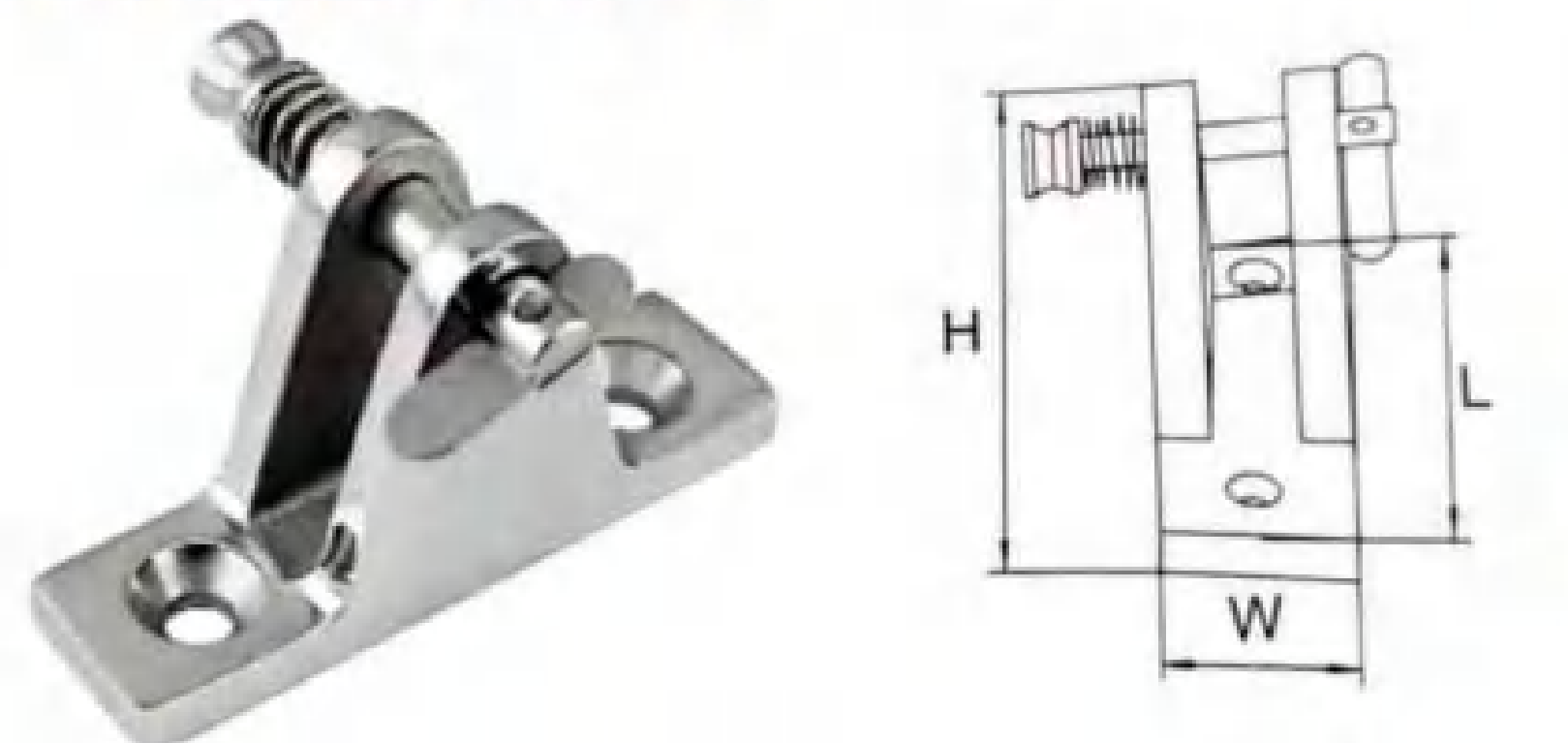
DECK HINGE

316 STAINLESS STEEL DECK HINGE 90°
316不锈钢山型座



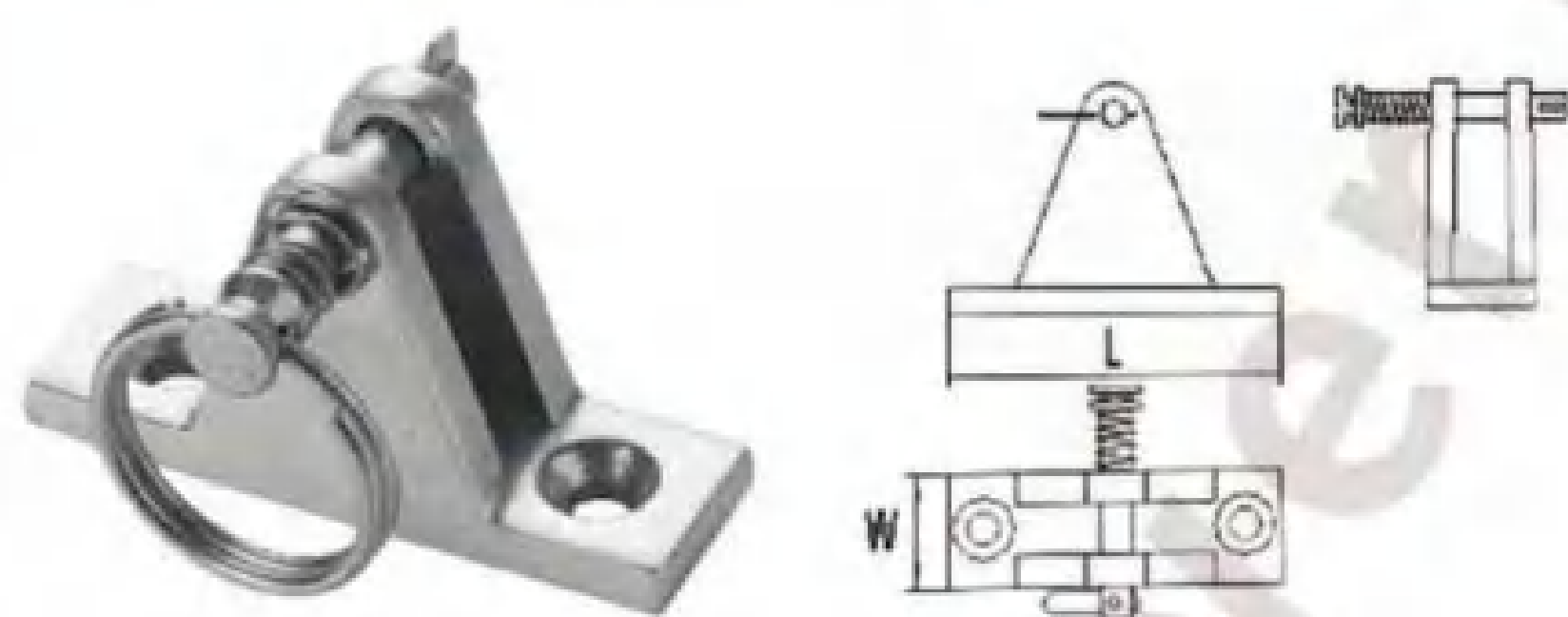
Code	Lmm	W mm
ALS5401	61	18.7

316 STAINLESS STEEL DECK HINGE 90°-REMOVABLE
316不锈钢销子小山型座



Code	Lmm	Dmm
ALS5402	61	18.7

316 STAINLESS STEEL DECK HINGE 90°-REMOVABLE
316不锈钢带环90°销子山型座



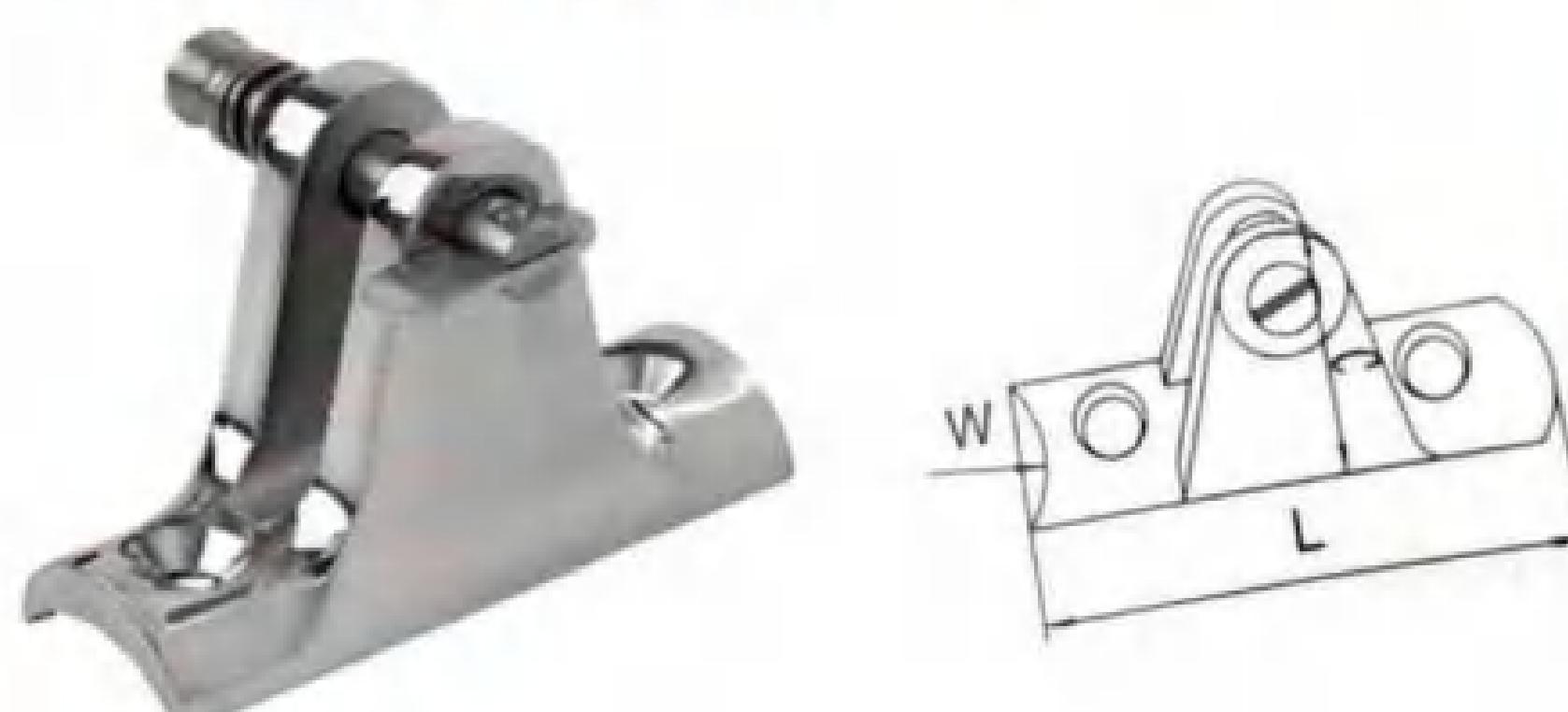
Code	Lmm	W mm
ALS5403	61	18.5

316 STAINLESS STEEL CONCAVE BASE DECK HINGE
316不锈钢弧型小山型座



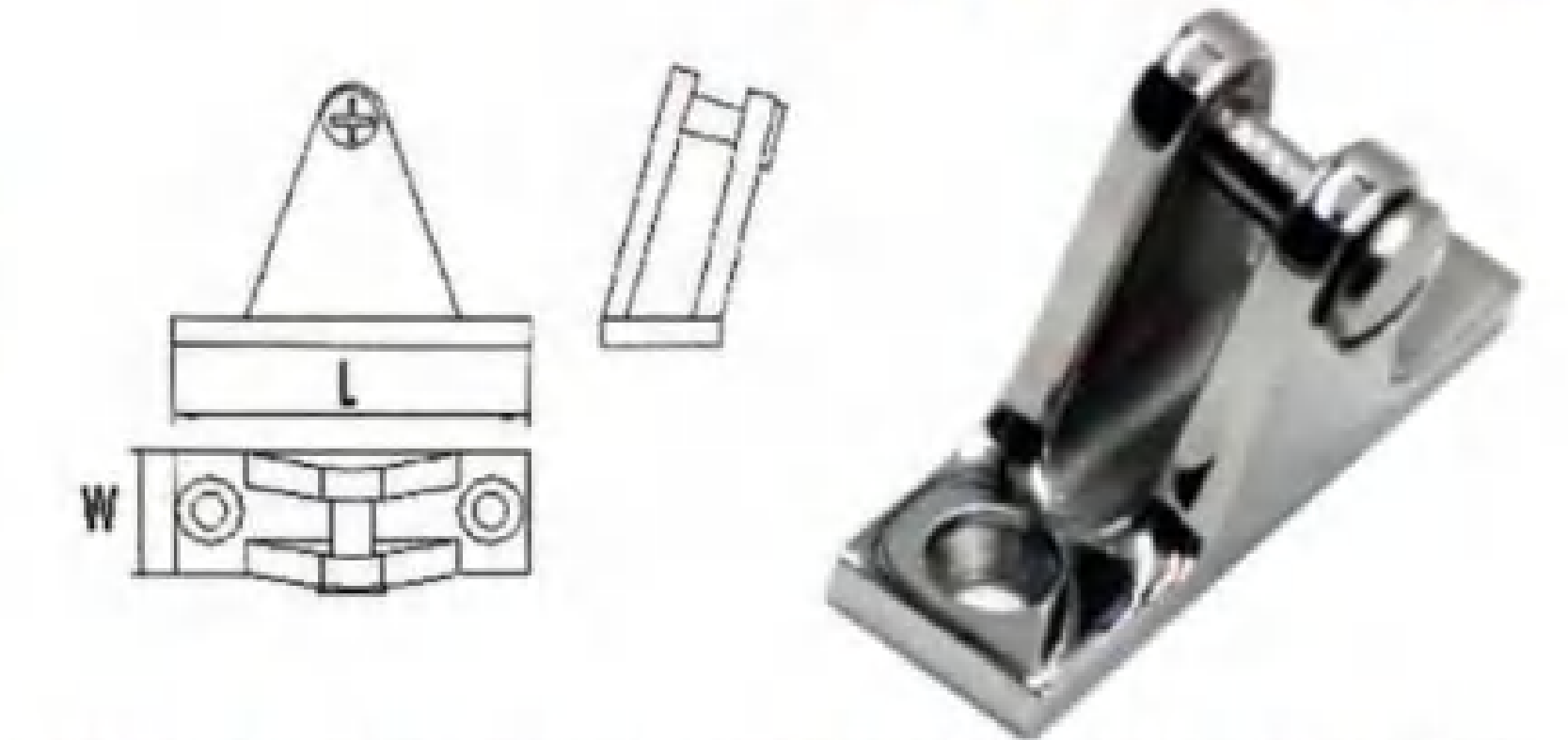
Code	Lmm	Wmm	For pipe mm
ALS5404A	61	18.5	22.5
ALS5404B	61	18.5	25.5

316 STAINLESS STEEL CONCAVE BASE DECK HINGE - REMOVABLE PIN
316不锈钢弧型带销山型座



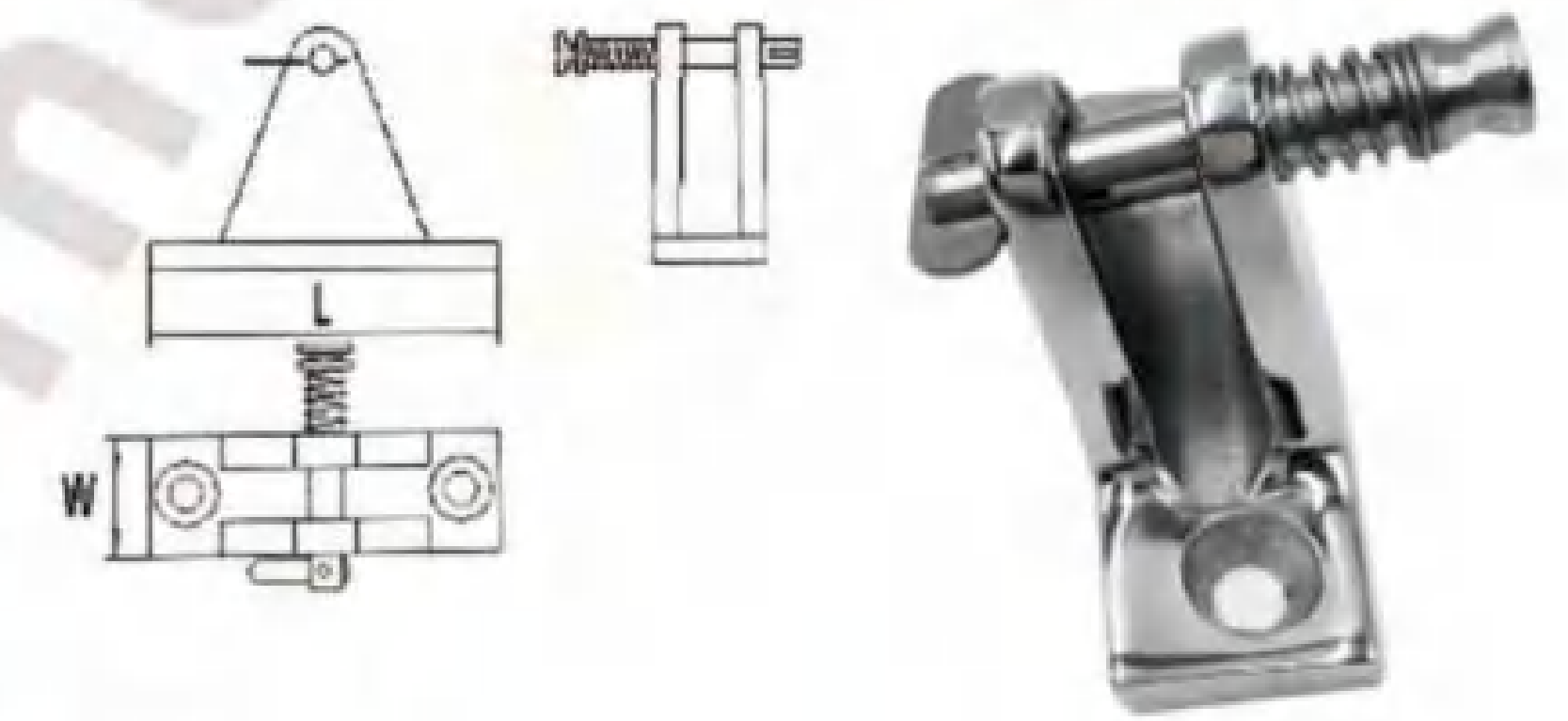
Code	Lmm	Wmm	For pipe mm
ALS5410A	61	18.5	22.5
ALS5410B	61	18.5	25.5

316 STAINLESS STEEL DECK HINGE 60°
316不锈钢斜螺栓山型座



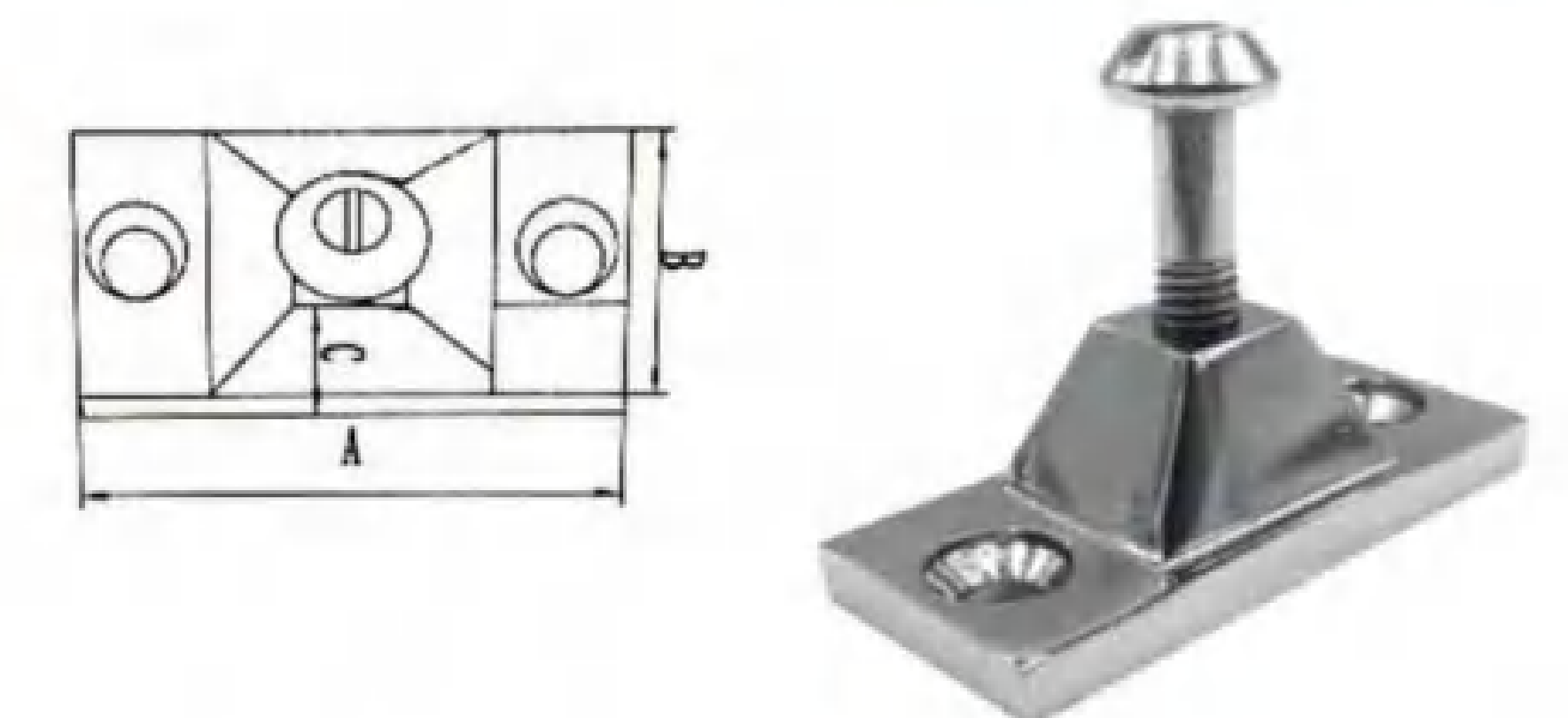
Code	L mm	W mm
ALS5411	56	18.5

316 STAINLESS STEEL DECK HINGE 60°-REMOVABLE PIN
316不锈钢斜销子山型座



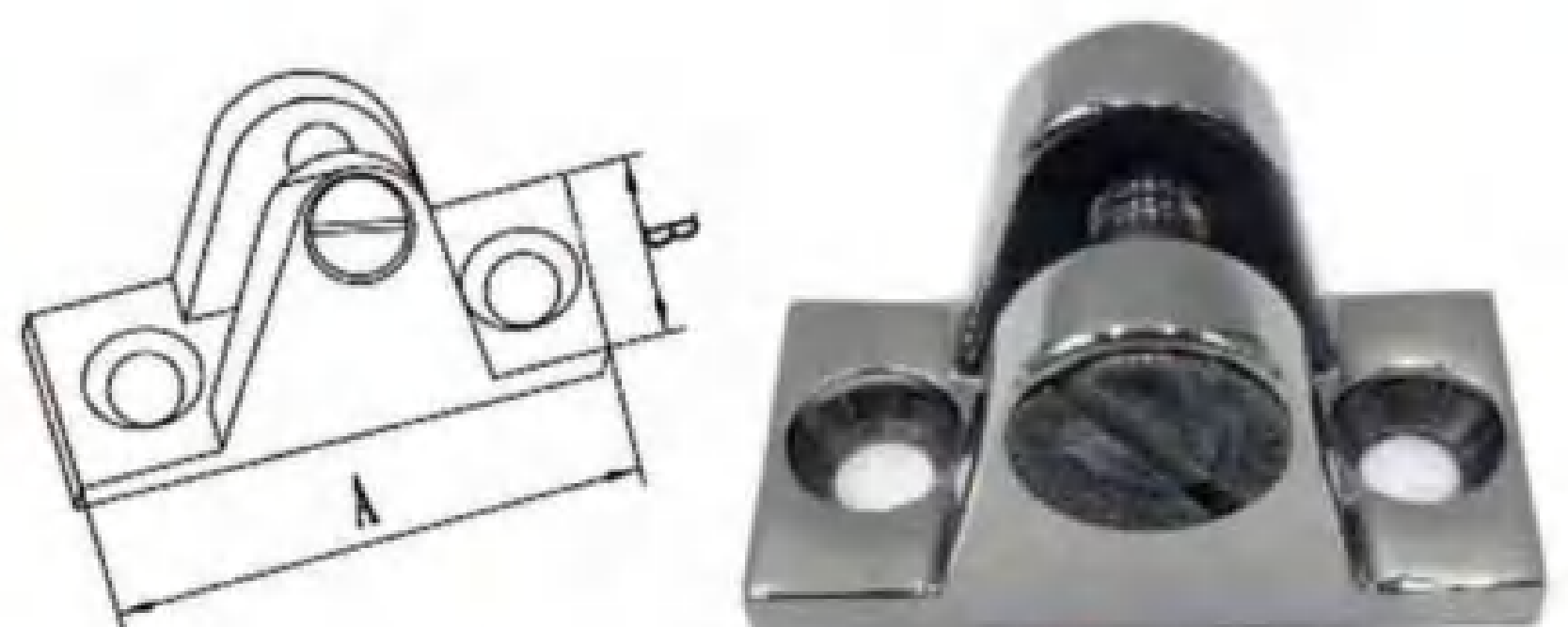
Code	L mm	W mm
ALS5412	61	18.5

316 STAINLESS STEEL DECK HINGE 90°
316不锈钢金字塔山型座



Code	A mm	B mm	C mm
ALS5413A	50.8	22.3	25
ALS5413B	50.8	32.5	28

AISI316 STAINLESS STEEL DECK HINGE 90°
316不锈钢重型山型座



Code	A mm	B mm
ALS5414A	53	26

AISI316 STAINLESS STEEL DECK HINGE 90°
316不锈钢大小型山型座



Code	L mm	W mm
ALS5415A	94.2	27.5

AISI316 STAINLESS STEEL DECK SWIVEL HINGE MOUNT 360°
316不锈钢360° 旋转山型座



Code	A mm	B mm	C mm
ALS5416A	81	32	33.5
ALS5416B	90	30	34

AISI316 STAINLESS STEEL DECK SWIVEL HINGE MOUNT 360°WITHING
316不锈钢360° 带环山型座



Code	L mm	D mm
ALS5417A	81	32
ALS5417B	90	30

AISI316 STAINLESS STEEL DECK SWIVEL HINGE MOUNT
316不锈钢180° 旋转山型座



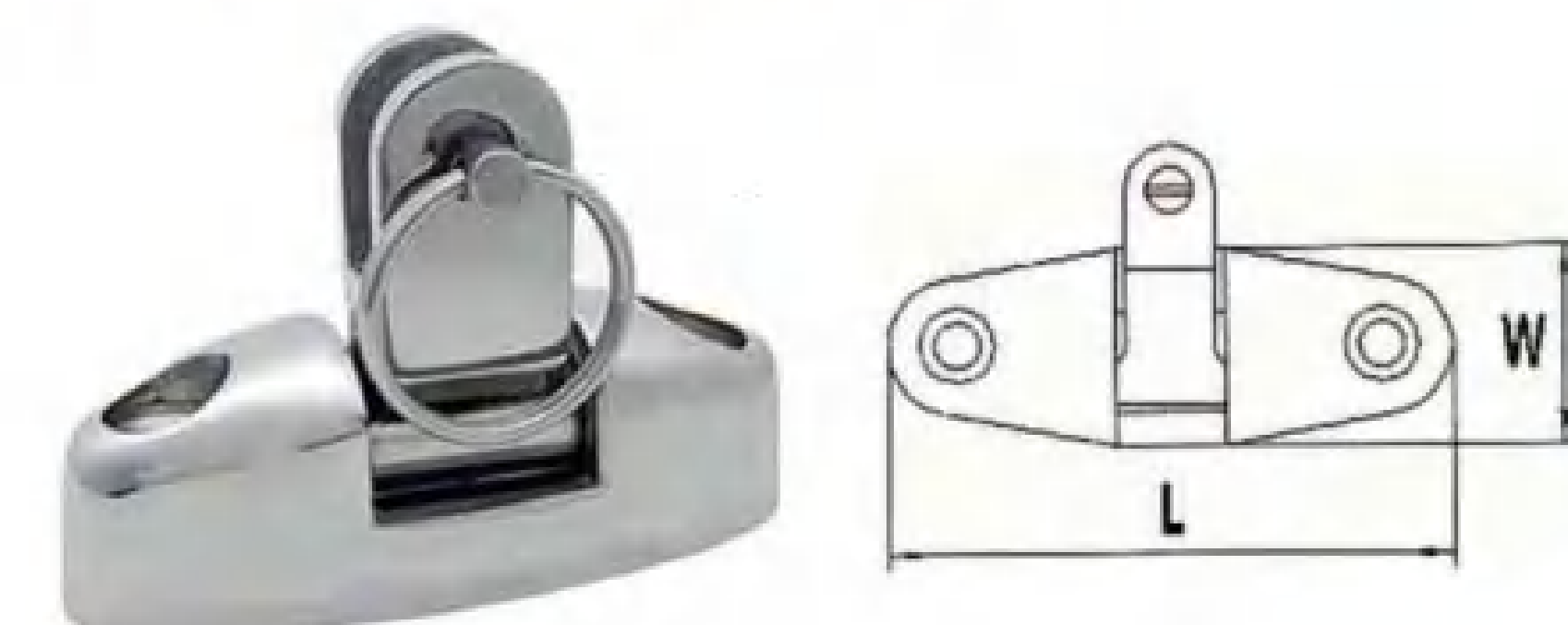
Code	Lmm	W mm
ALS5418A	70	25

316 STAINLESS STEEL CONCAVE BASE DECK HINGE
316不锈钢180° 旋转销子山型座



Code	Lmm	Wmm
ALS5419A	70	25

316 STAINLESS STEEL 180° ROTARY RING MOUNTAIN SEAT
316不锈钢180° 旋转带圆环山型座



Code	Lmm	Wmm
ALS5420A	70	25

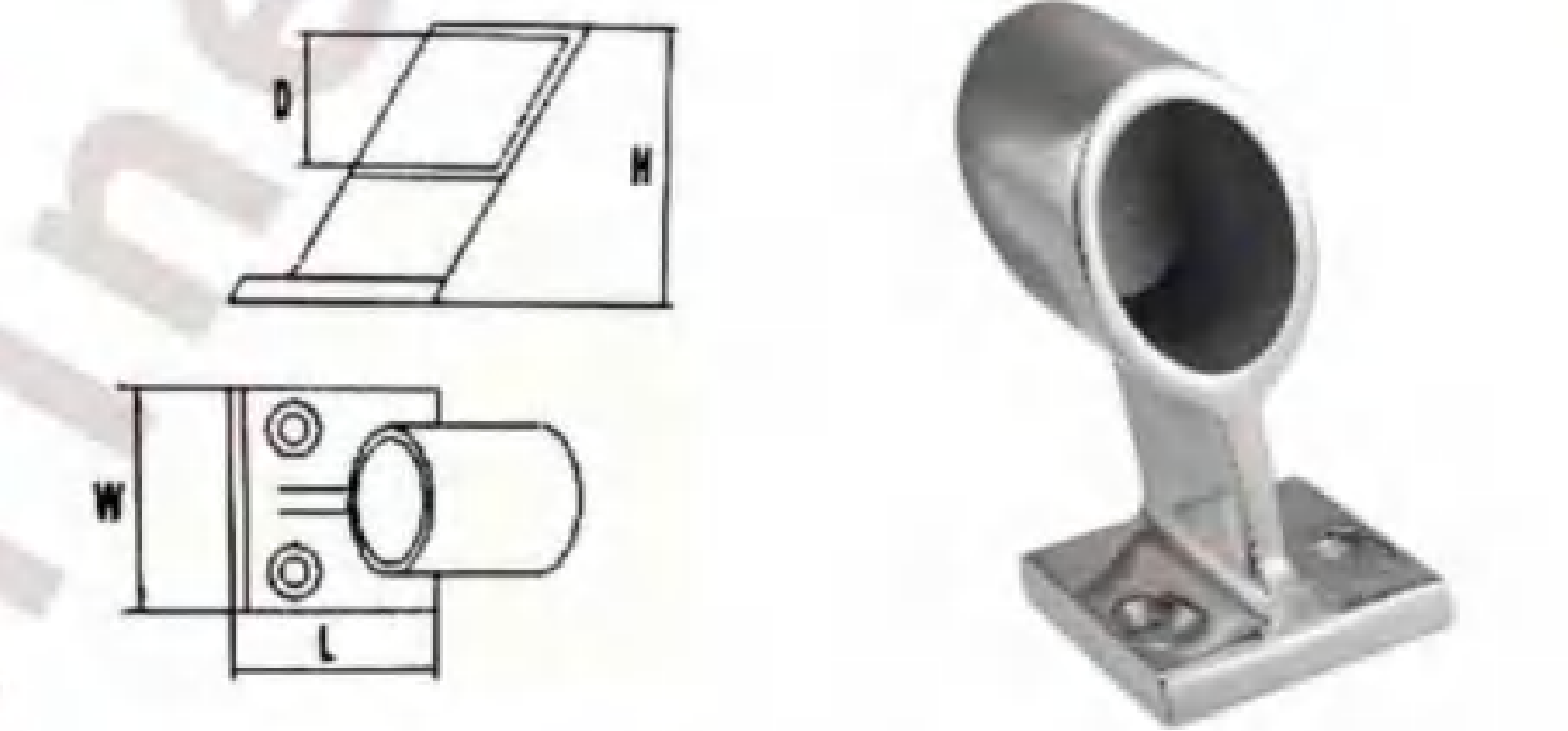
316 STAINLESS STEEL REMOVABLE MOUNTAIN SEAT
316不锈钢可拆卸山型座



Code	Lmm	Wmm
ALS5430A	70	25

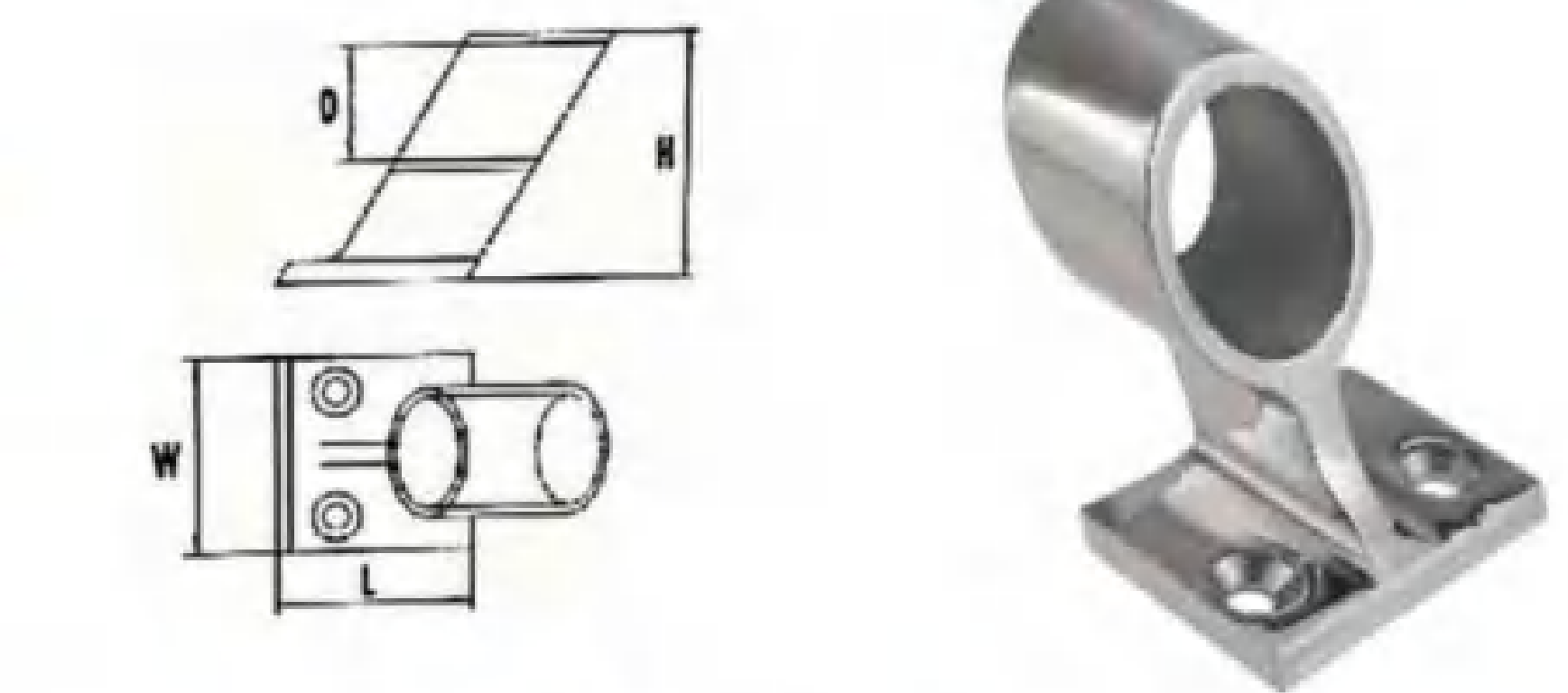
AISI316 STAINLESS STEEL HANDRAIL STANCHION (FORWARD 60°)
316不锈钢前船支架

Code	D	L	W	H	Size
ALS5500A	22.5	28	40	45.1	7/8"
ALS5500B	25.5	29	41	56	1"



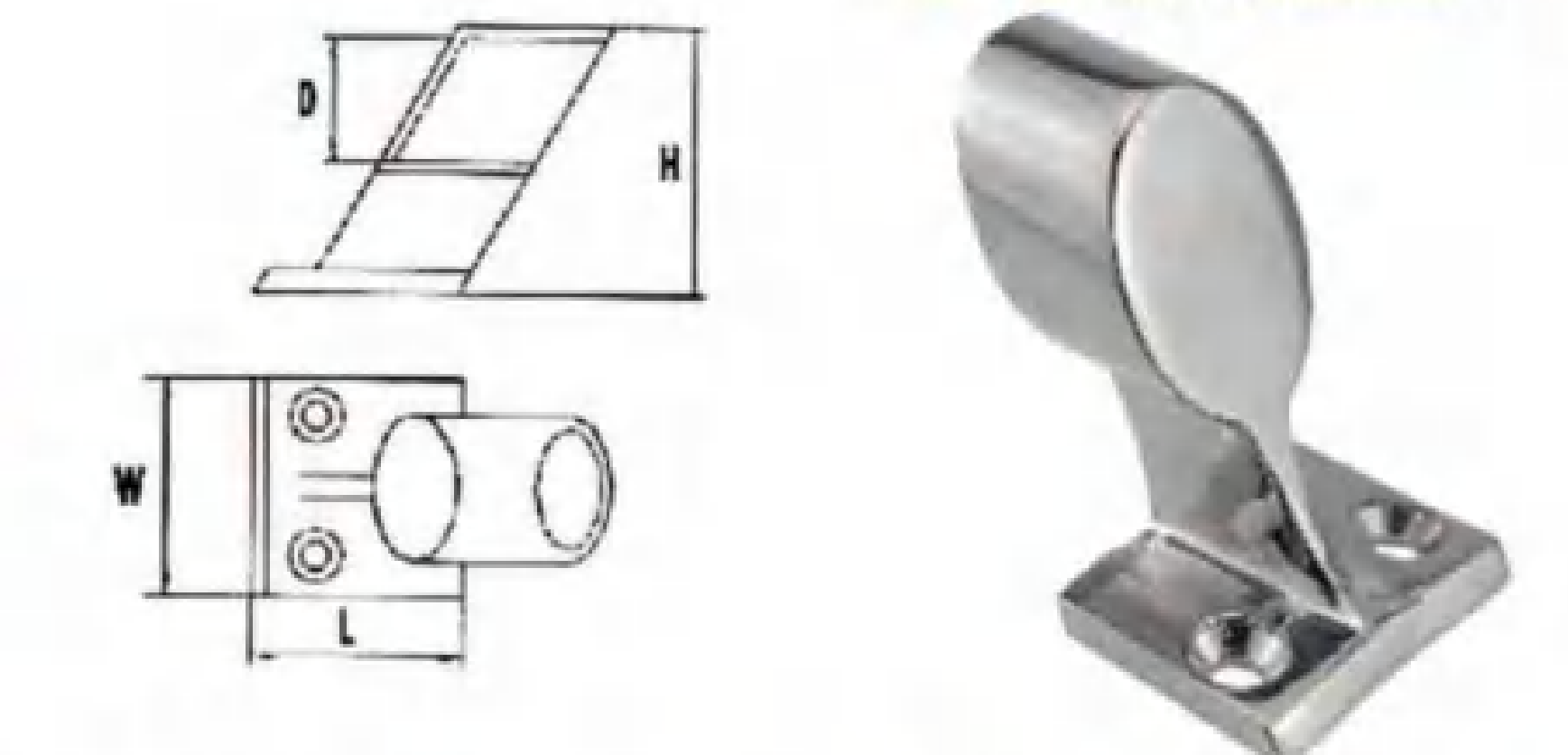
AISI316 STAINLESS STEEL HANDRAIL STANCHION (CENTER 60°)
316不锈钢中船支架

Code	D	L	W	H	Size
ALS5501A	22.5	28	40	45	7/8"
ALS5501B	25.5	30	41	65	1"



AISI316 STAINLESS STEEL HANDRAIL STANCHION (END 60°)
316不锈钢末尾船支架

Code	D	L	W	H	Size
ALS5502A	22.5	28	40	45	7/8"
ALS5502B	25.5	30	41	65	1"

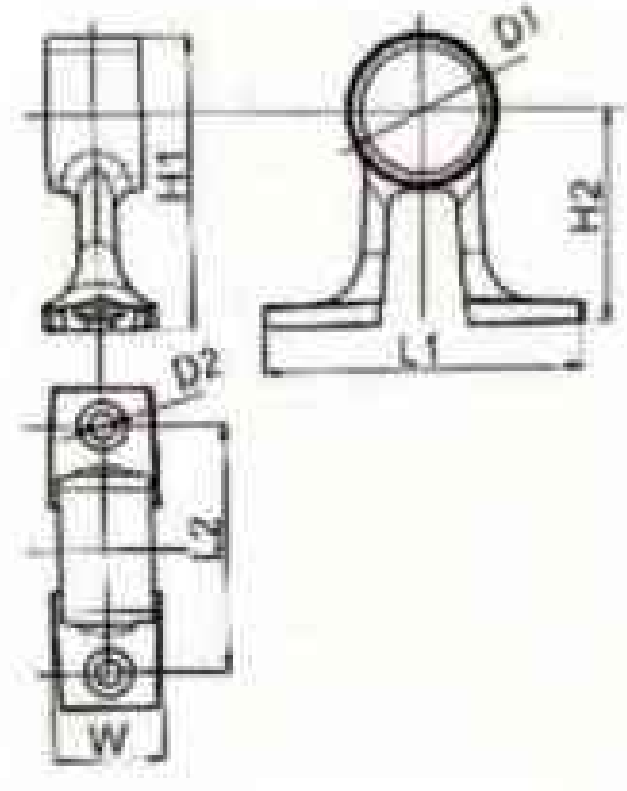


AISI316 STAINLESS STEEL HANDRAIL STANCHION (CENTER 60°)
316不锈钢前/后船支架

Code	D	L	W	H	Size
ALS5504A	22.5	30	36	66.2	7/8"
ALS5504B	25.5	31	35	69.2	1"

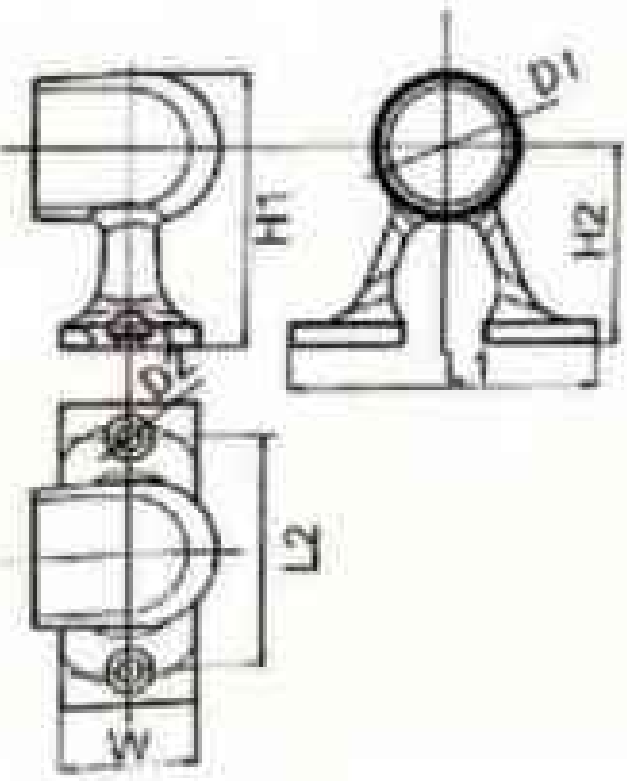


AISI316 STAINLESS STEEL HANDRAIL STANCHION (CENTER 90°)
316不锈钢中船支架



Code	L1 mm	L2 mm	W mm	H1 mm	D1 mm
ALS5411	67	50.5	22.5	60	25.8

AISI316 STAINLESS STEEL HANDRAIL STANCHION (FORWARD/END 90°)
316不锈钢前/后船支架



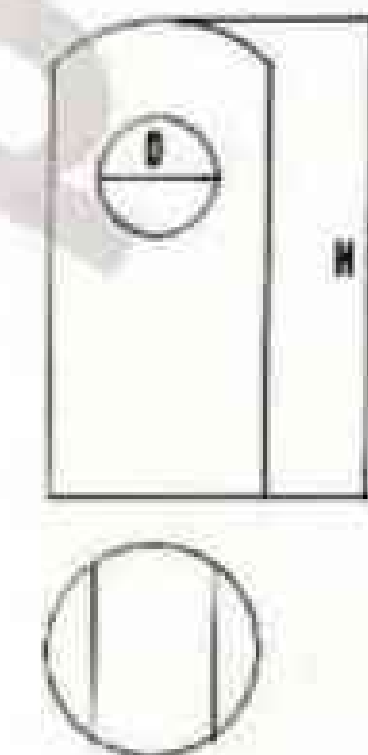
Code	L1 mm	L2 mm	W mm	H1 mm	D1 mm
ALS5412	67	51.5	30	60	25.8

AISI316 STAINLESS STEEL CENTER FITTING FOR HANDRAIL
316不锈钢通孔支架



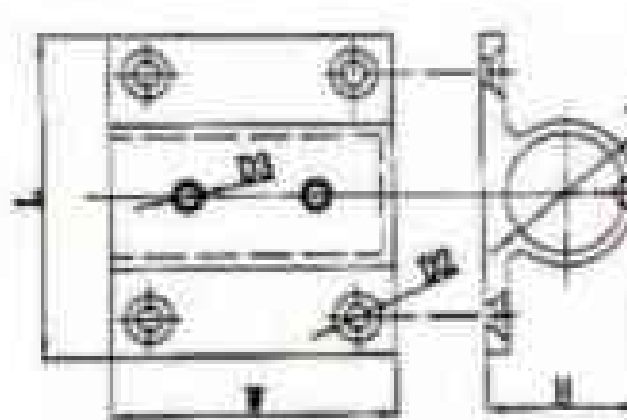
Code	D mm	H mm
ALS5442A-22	22.5	59
ALS5442B-25	25.6	64

AISI316 STAINLESS STEEL END FITTING FOR HANDRAIL
316不锈钢盲孔支架



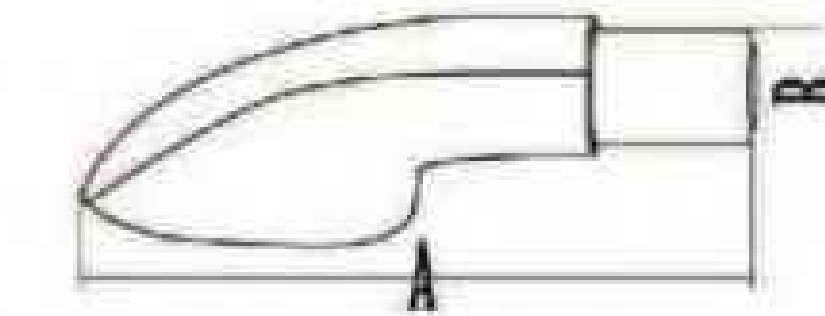
Code	D mm	H mm
ALS5443A-22	22.6	59
ALS5443B-25	25.7	64

AISI316 STAINLESS STEEL D
316不锈钢方底座支架



Code	Lmm	W mm	D1 mm	Size
ALS5482A-22	70	25	22.6	7/8"
ALS5482B-25	61.8	45.3	25.7	1"

316 STAINLESS STEEL RAIL END TUBING HANDRAIL
316不锈钢内孔羊蹄支架

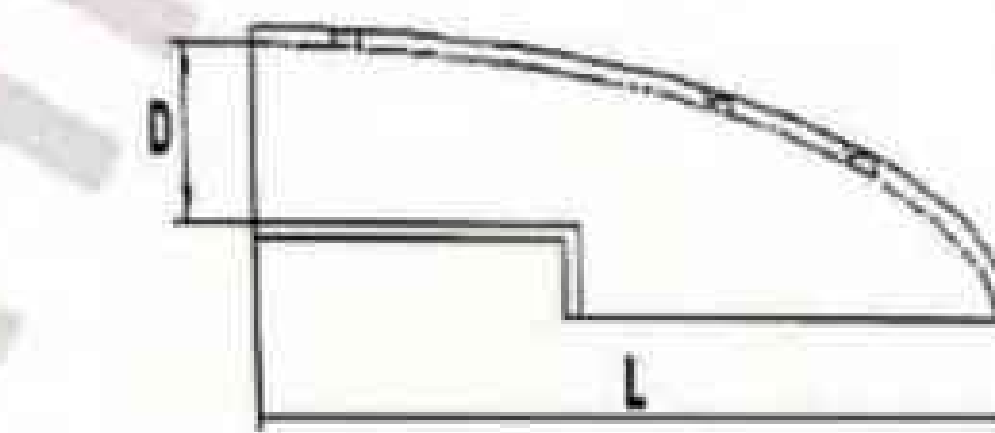


Code	A mm	B mm
ALS5483A	187.5	25

AISI316 STAINLESS STEEL RAIL END
316不锈钢小羊蹄子支架



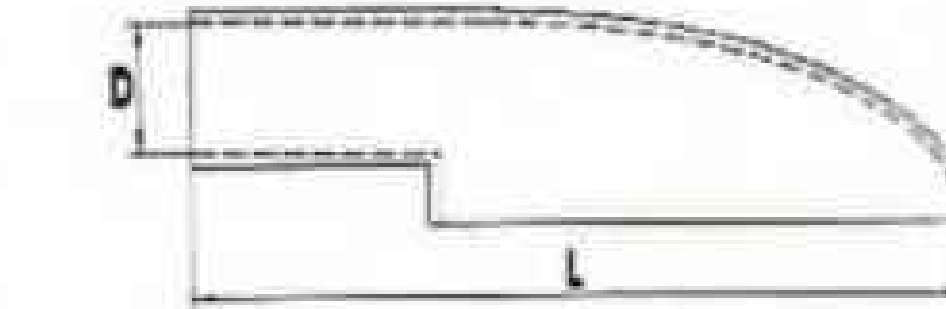
Code	D mm	L mm	Size
ALS5470A-22	22	119	7/8"



AISI316 STAINLESS STEEL RAIL END
316不锈钢羊蹄支架



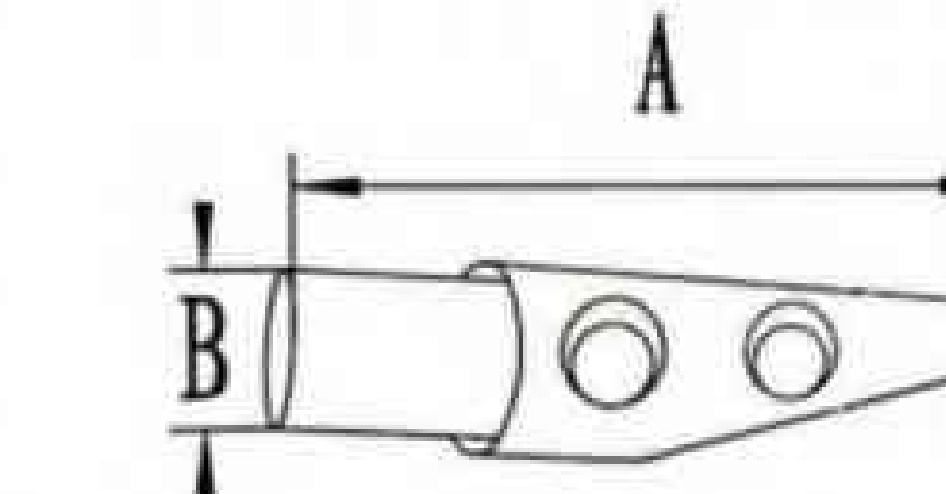
Code	D mm	L mm	Size
ALS5471A-22	22.5	175	7/8"
ALS5471B-25	25.6	175	1"



AISI316 STAINLESS STEEL RAIL END
316不锈钢内孔管子支架



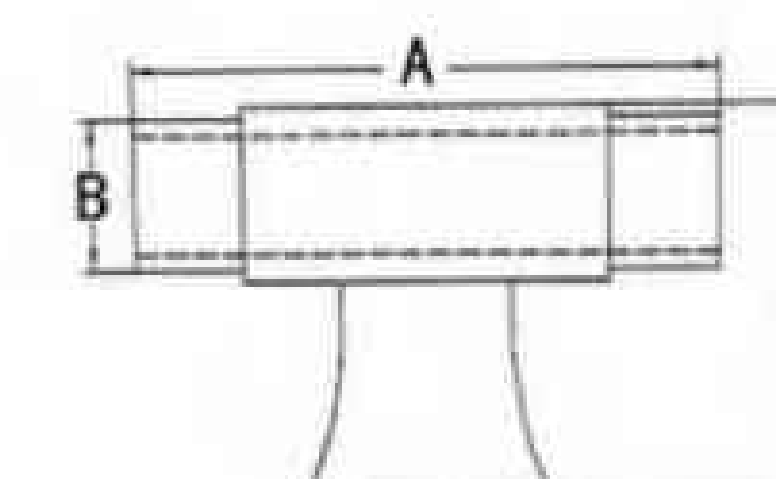
Code	A mm	B mm
ALS5473A	110	19.6



AISI316 STAINLESS STEEL MAST BRACKET
316不锈钢梯形管子支架



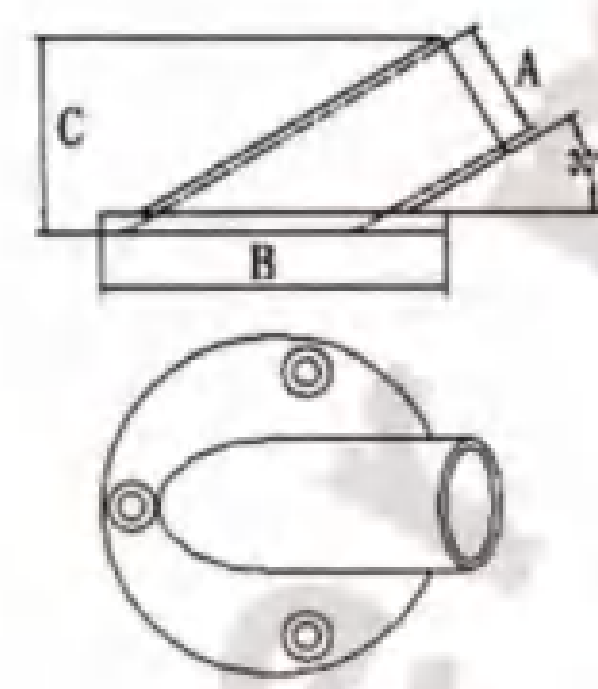
Code	A mm	B mm	C mm
ALS5474A-25	100	25	61





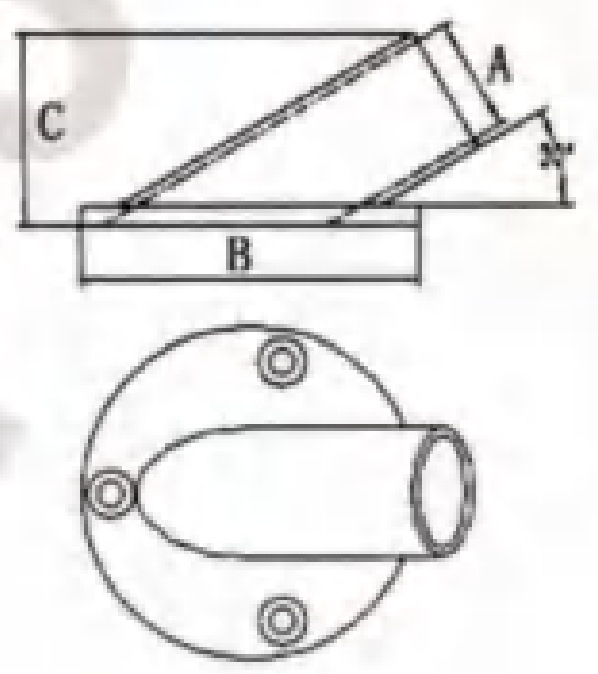
PIPE STANCHION

AISI316 STAINLESS STEEL HANDRAIL 30°ROUND BASE
316不锈钢30° 圆管座



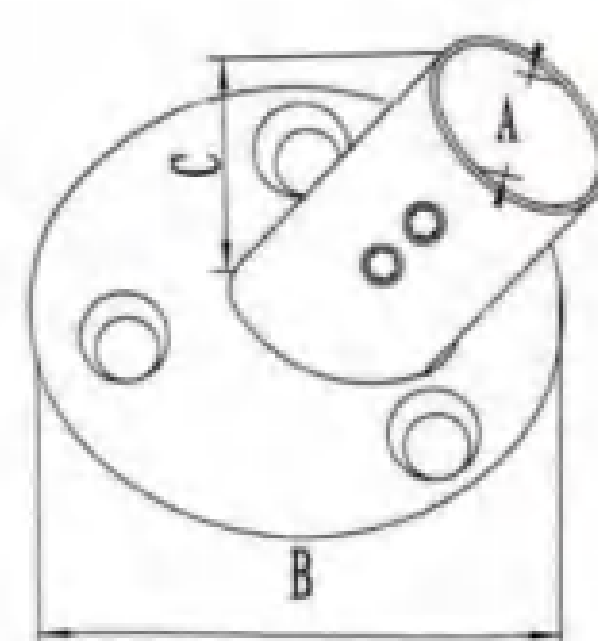
Code	A mm	B mm	C mm	Size
ALS5413-3022	22.5	66.3	37.8	7/8"
ALS5413-3025	25.6	72.2	36.7	1"

AISI316 STAINLESS STEEL HANDRAIL 45°ROUND BASE
316不锈钢45° 圆管座



Code	A mm	B mm	C mm	Size
ALS5414-4522	22.5	66.3	37.8	7/8"
ALS5414-4525	25.6	72.2	36.7	1"

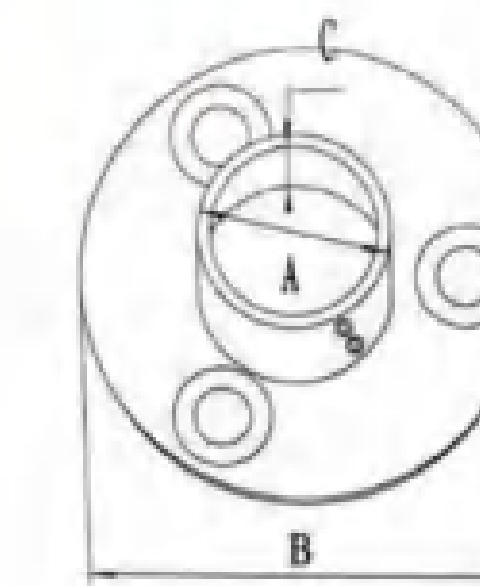
AISI316 STAINLESS STEEL HANDRAIL 60°ROUND BASE
316不锈钢60° 圆管座



Code	A mm	B mm	C mm	Size
ALS5415-6022	22.5	66.3	41.1	7/8"
ALS5415-6025	25.5	72.2	40	1"
ALS5415-6030	30.5	71.5	46	1-1/5"
ALS5415-6032	32.5	71.5	46	1-1/4"

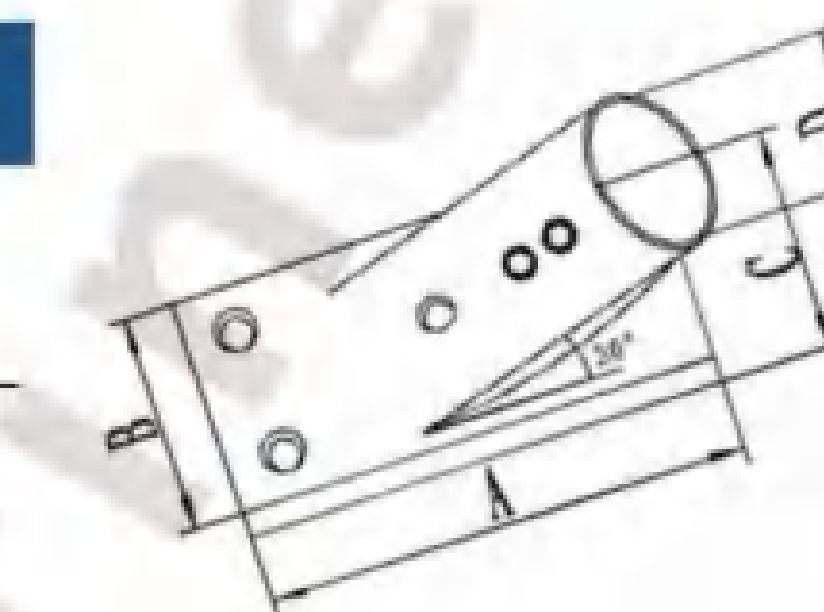
AISI316 STAINLESS STEEL HANDRAIL 90°ROUND BASE
316不锈钢90° 圆管座

Code	A mm	B mm	C mm	Size
ALS5416-9022	22.5	66	44.7	7/8"
ALS5416-9025	25.5	69	44.7	1"
ALS5416-9030	30.5	72	43.2	1-1/5"
ALS5416-9032	32.5	75	43.2	1-1/4"



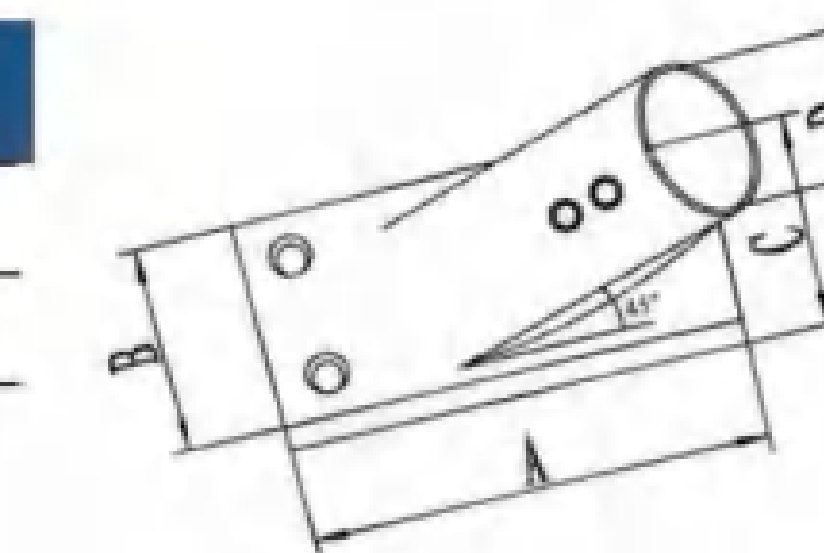
AISI316 STAINLESS STEEL HANDRAIL 30°RECTANGULAR BASE
316不锈钢30° 方管座

Code	A mm	B mm	C mm	D mm	Size
ALS5417-3022	78.7	44	35.6	22.5	7/8"
ALS5417-3025	82	47.3	38	25.5	1"



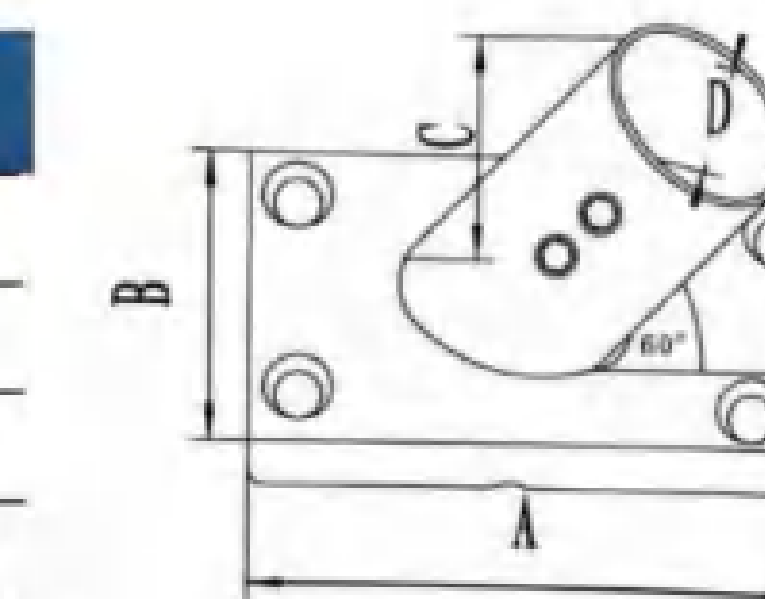
AISI316 STAINLESS STEEL HANDRAIL 45°RECTANGULAR BASE
316不锈钢45° 方管座

Code	A mm	B mm	C mm	D mm	Size
ALS5418A-4522	78.7	44	39	22.5	7/8"
ALS5418B-4525	82	47.3	43.6	25.5	1"



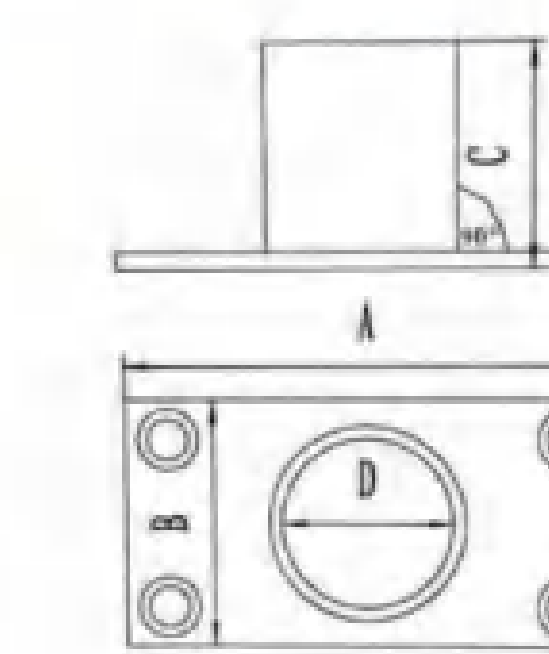
AISI316 STAINLESS STEEL HANDRAIL 60°RECTANGULAR BASE
316不锈钢60° 方管座

Code	A mm	B mm	C mm	D mm	Size
ALS5419A-6022	79	44	39	22.5	7/8"
ALS5419B-6025	82	47.3	44	25.5	1"
ALS5419C-6030	86	52	51.6	30.5	1-1/5"
ALS5419D-6032	86	52	51	32.5	1-1/4"



AISI316 STAINLESS STEEL HANDRAIL 90°RECTANGULAR BASE
316不锈钢90° 方管座

Code	A mm	B mm	C mm	D mm	Size
ALS5420A-9022	79	44	44	22.5	7/8"
ALS5420B-9025	82	47	47	25.5	1"
ALS5420C-9030	86	52	51	30.5	1-1/5"
ALS5420D-9032	87	52	53	32.5	1-1/4"



AISI316 STAINLESS STEEL HANDRAIL 45° WELDABLE ROUND BASE
316不锈钢可焊接斜45° 圆管座



Code	D1 mm	D2 mm	H mm	Size
ALS5430-22	22.5	66	13	7/8"
ALS5430-25	25.5	80	10	1"

AISI316 STAINLESS STEEL HANDRAIL 60° RECTANGULAR BASE
316不锈钢可焊接斜60° 圆管座



Code	D1 mm	D2 mm	H mm	Size
ALS5431-22	22.5	66	13	7/8"
ALS5431-25	25.5	80	16	1"

AISI316 STAINLESS STEEL HANDRAIL 90° RECTANGULAR BASE
316不锈钢可焊接90° 圆管座



Code	D1 mm	D2 mm	H mm	Size
ALS5432-22	22.5	66	16	7/8"
ALS5432-25	25.5	75	16	1"

AISI316 STAINLESS STEEL HANDRAIL 45° RECTANGULAR BASE
316不锈钢可焊接45° 方管座



Code	D mm	L mm	W mm	H mm	Size
ALS5435-22	22	78	44	12.5	7/8"
ALS5435-25	25	78	44	15	1"

AISI316 STAINLESS STEEL HANDRAIL 60° RECTANGULAR BASE
316不锈钢可焊接60° 方管座



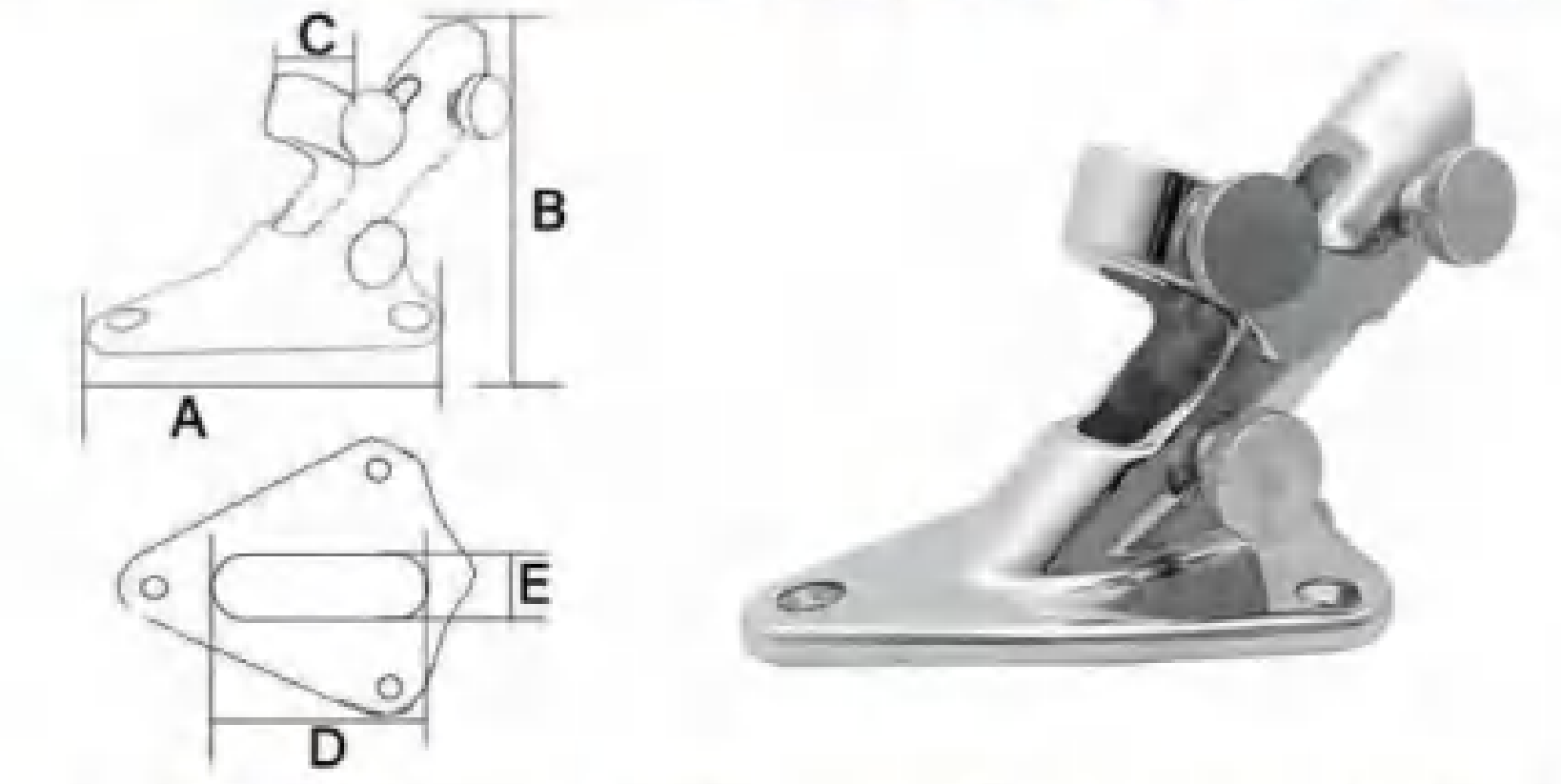
Code	D mm	L mm	W mm	H mm	Size
ALS5436-22	22	78	44	13	7/8"
ALS5436-25	25	78	44	14	1"

AISI316 STAINLESS STEEL HANDRAIL 60° RECTANGULAR BASE
316不锈钢可焊接60° 方管座



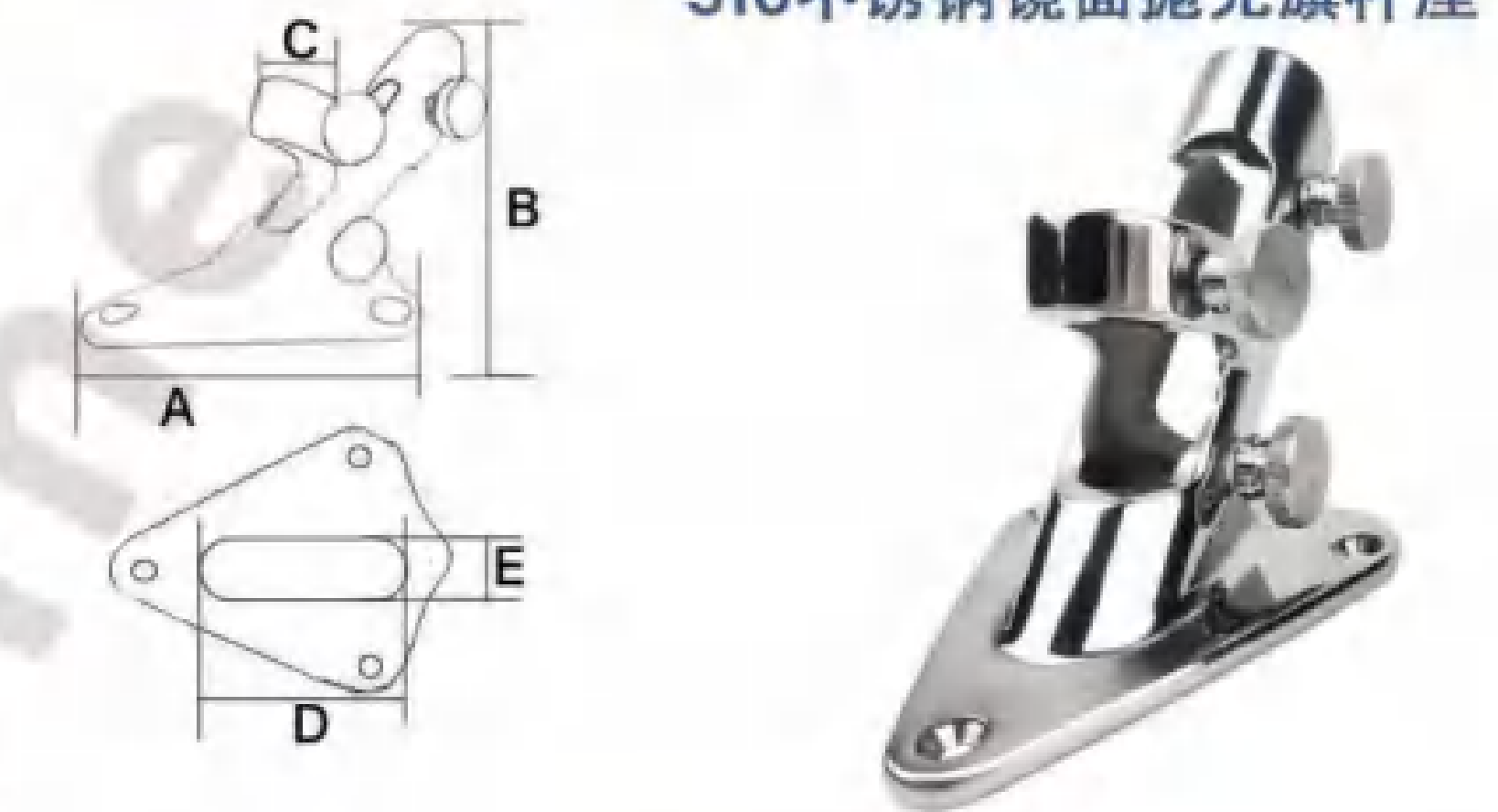
Code	D mm	L mm	W mm	H mm	Size
ALS5437-22	22	78	44	13	7/8"
ALS5437-25	25	78	44	14	1"

AISI316 STAINLESS STEEL VIBRATION MILLING FLAGPOLE BASE
316不锈钢振动研磨旗杆座



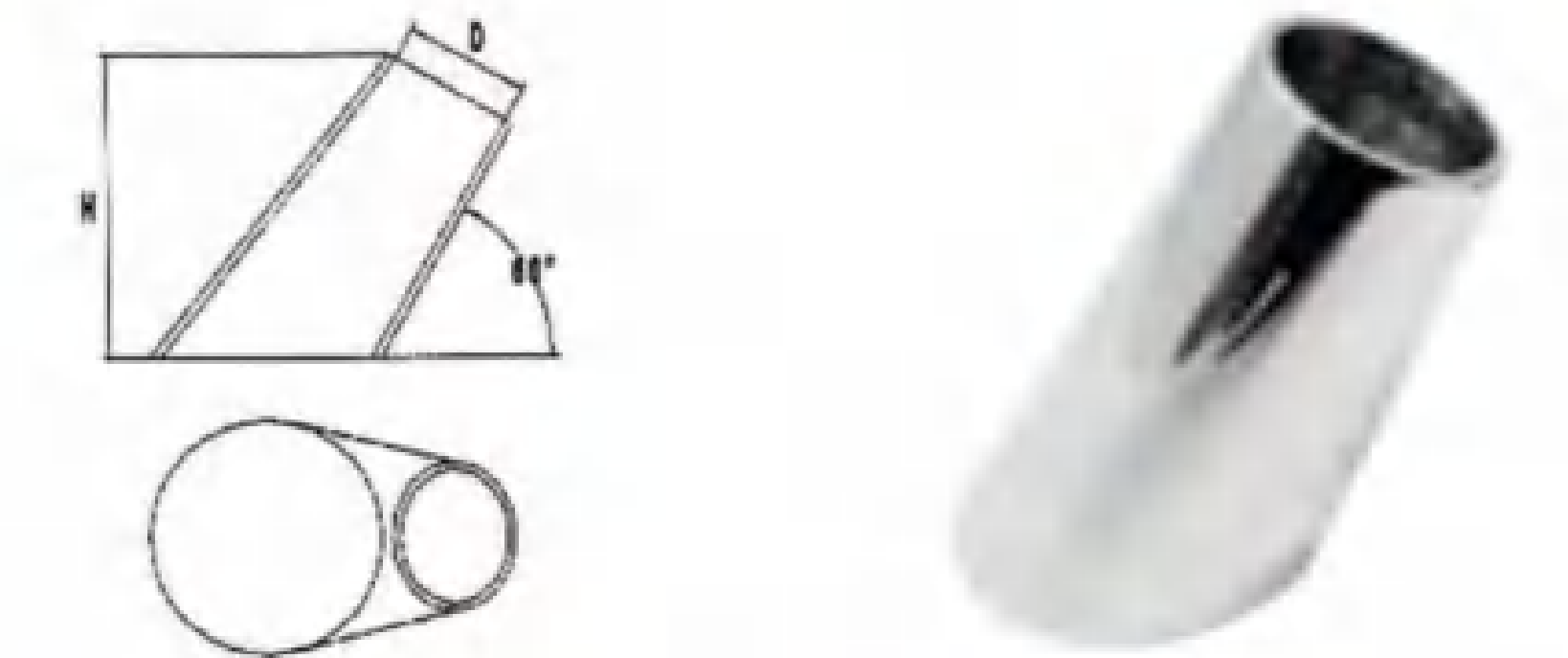
Code	A mm	B mm	C mm	D mm	Emm
ALS5042A	109	100	25.8	58	26

AISI316 STAINLESS STEEL MIRROR POLISHED FLAGPOLE BASE
316不锈钢镜面抛光旗杆座



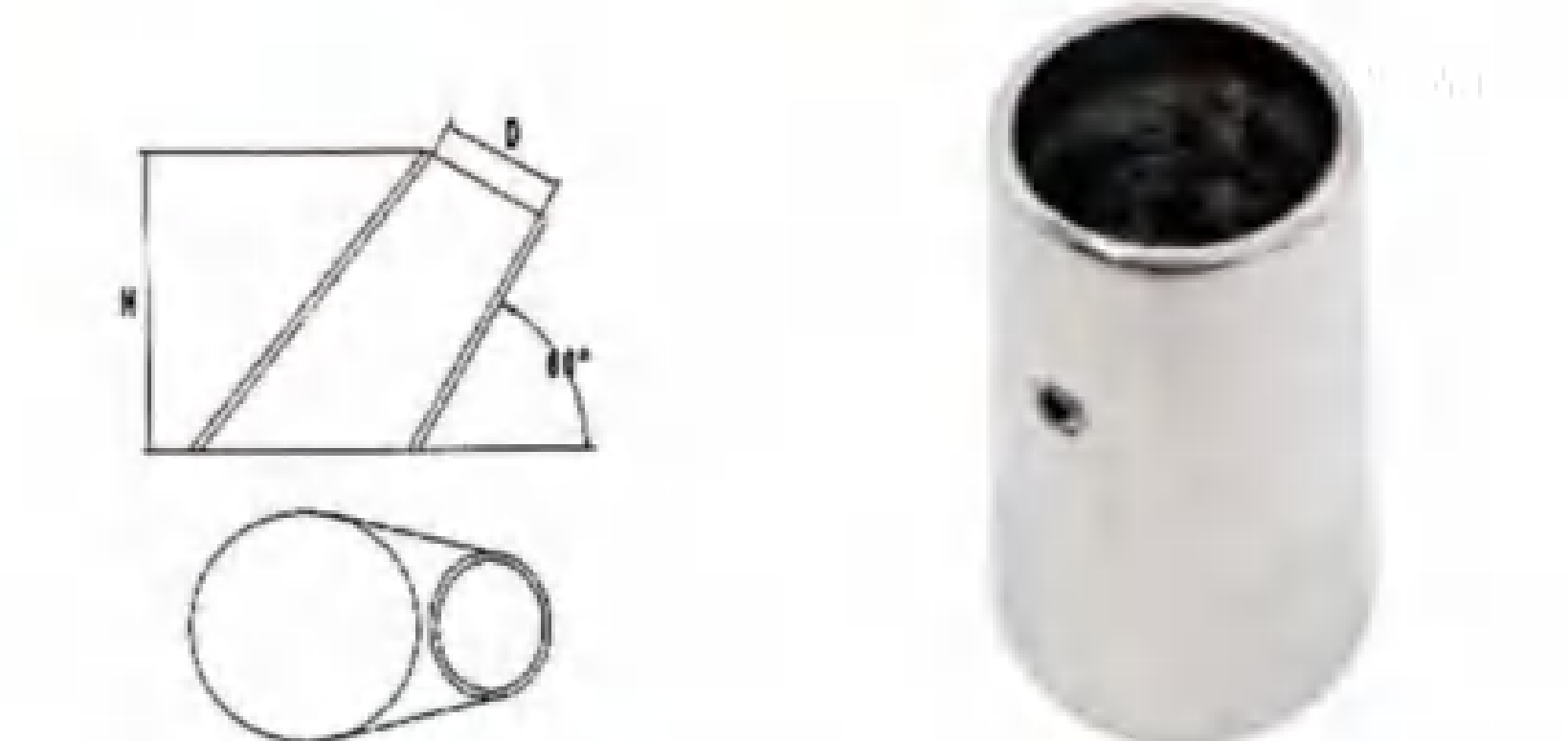
Code	A mm	B mm	C mm	D mm	Emm
ALS5043A	109	100	25.8	58	26

AISI316 STAINLESS STEEL 60° STANCHION BASE
316不锈钢斜60° 旗杆座



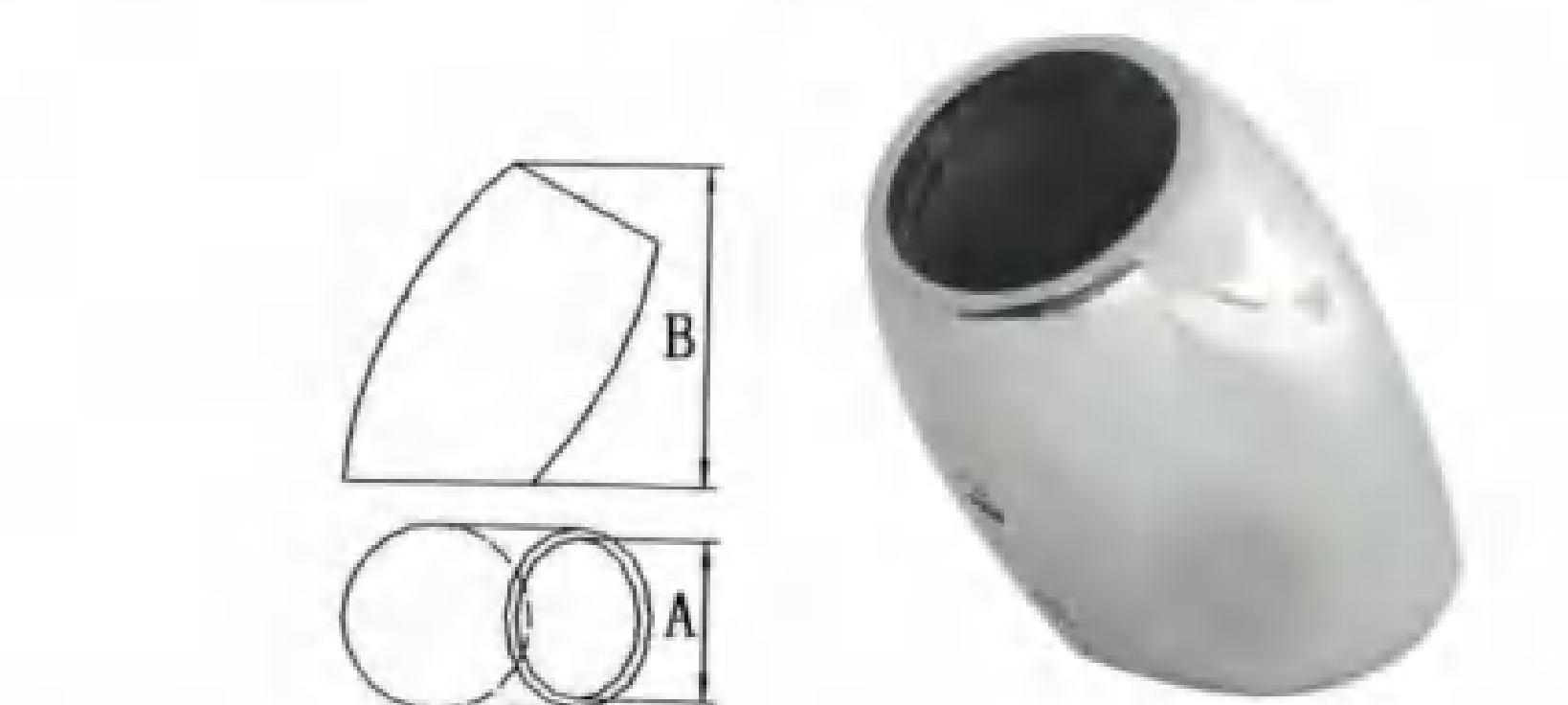
Code	D mm	H mm	Size
ALS5438-25	25	69	1"
ALS5438-30	30	80	1-1/5"

AISI316 STAINLESS STEEL 90° STANCHION BASE
316不锈钢90° 旗杆座



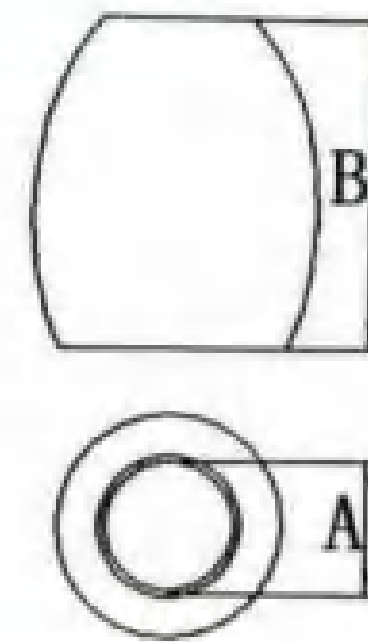
Code	D mm	H mm	Size
ALS5439-25	25	69	1"
ALS5439-30	30	80	1-1/5"

AISI316 STAINLESS STEEL 90° STANCHION BASE
316不锈钢斜60° 圆筒旗杆座



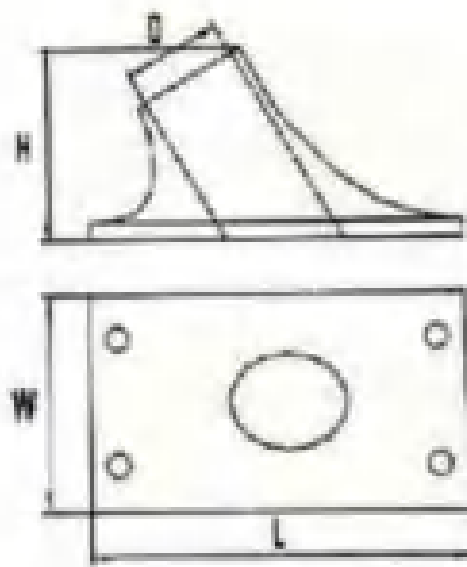
Code	A mm	B mm	Size
ALS5440A-25	25	66.5	1"
ALS5440B-30	30	61	1-1/5"
ALS5440C-32	32	61	1-1/4"

AISI316 STAINLESS STEEL 90°STANCHION BASE
316不锈钢90°圆筒旗杆座



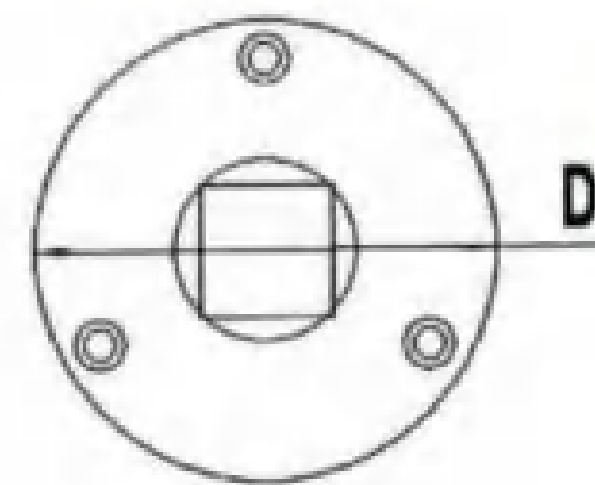
Code	A mm	B mm	Size
ALS5441A-25	25	66.5	1"
ALS5441B-30	30	61	1-1/5"
ALS5441C-32	32	61	1-1/4"

AISI316 STAINLESS STEEL STANCHION BASE
316不锈钢旗杆座



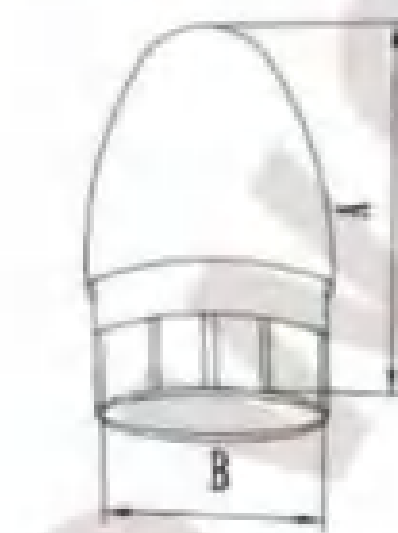
Code	D mm	L mm	M mm	H mm
ALS5481A	14	85.6	40.5	33.2
ALS5481B	20	86	42	44.4
ALS5481C	25	90.5	45	52

AISI316 STAINLESS STEEL DRAIN PLUG
316不锈钢方形堵头



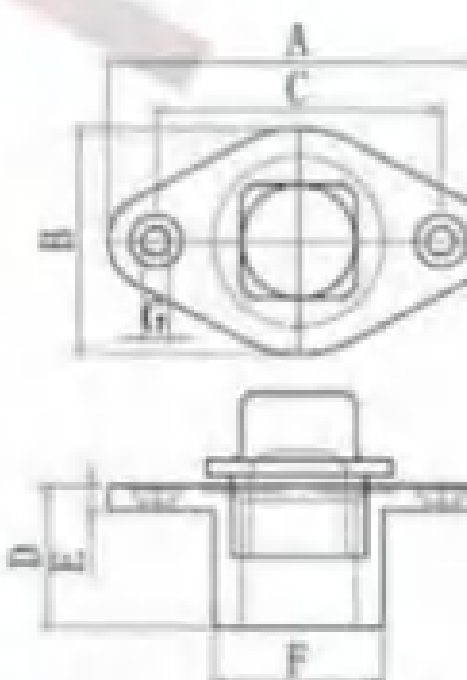
Code	D mm
ALS5050B	50

AISI316 STAINLESS STEEL DRAIN PLUG
316不锈钢子弹头堵头



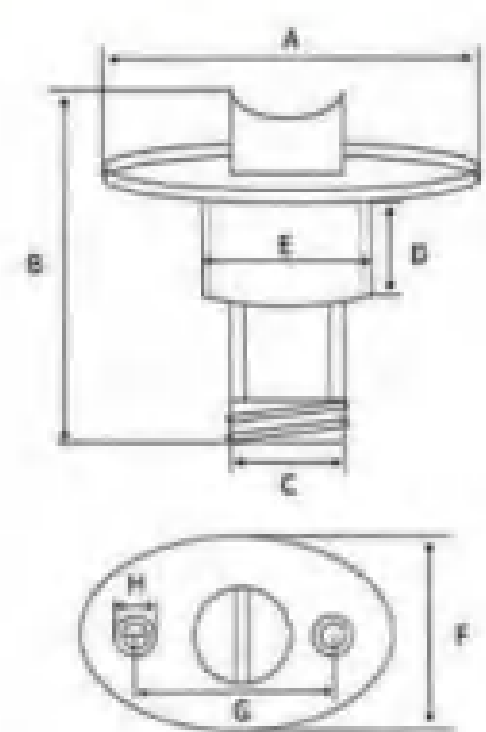
Code	A mm	B mm
ALS5422A	38.5	20
ALS5425A	40	25
ALS5430A	42.6	30

STAINLESS STEEL DIAMOND GARBOARD DRAIN PLUG
316不锈钢椭圆堵头



Code	A mm	B mm	C mm	D mm	F mm
ALS19024	70	41.5	52.5	25.5	31

STAINLESS STEEL DIAMOND GARBOARD DRAIN PLUG
316不锈钢子弹头堵头



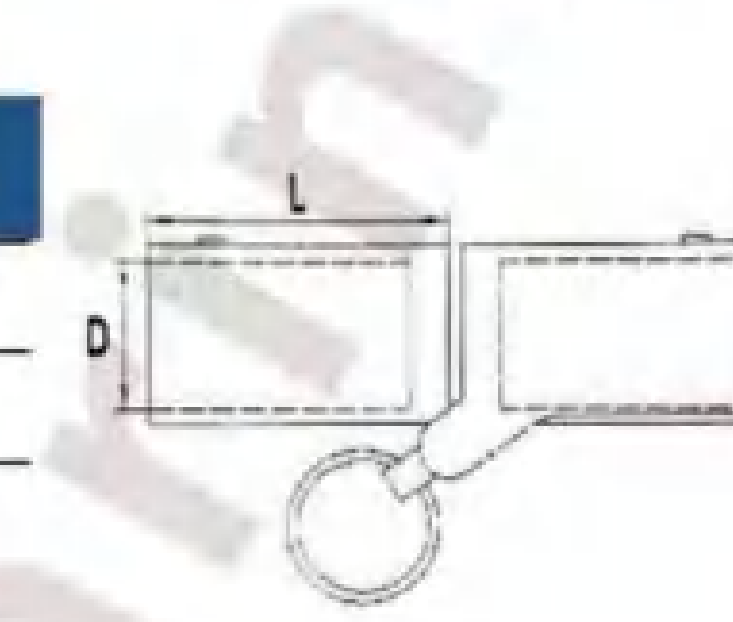
Code	A	B	C	D	E	F	G	H (mm)
ALS5490A	50.3	54	19.4	13.8	25.1	37.2	39.1	5.3



RAIL CONNECTOR

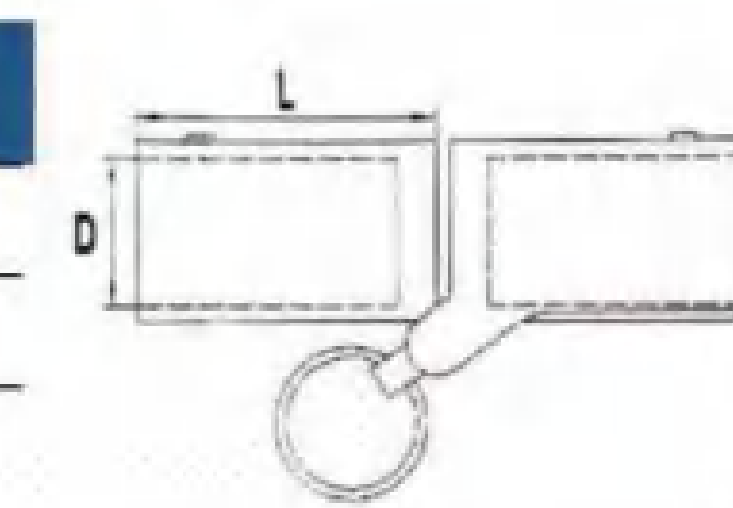
AISI316 STAINLESS STEEL SWIVEL JOINT FOR BIMINI PIPES
316不锈钢拉抽销活节管子接头

Code	D mm	L mm	Size
ALS5459A-22	22.5	37.4	7/8"
ALS5459A-25	25.5	37.7	1"



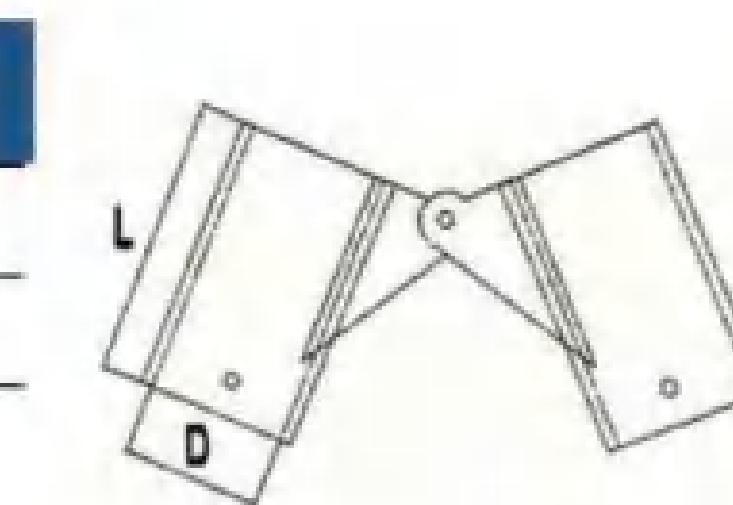
AISI316 STAINLESS STEEL SWIVEL JOINT FOR BIMINI PIPES
316不锈钢拉抽销活节管子接头 (带防丢绳)

Code	D mm	L mm	Size
ALS5459B-22	22.5	37.4	7/8"
ALS5459B-25	25.5	37.7	1"



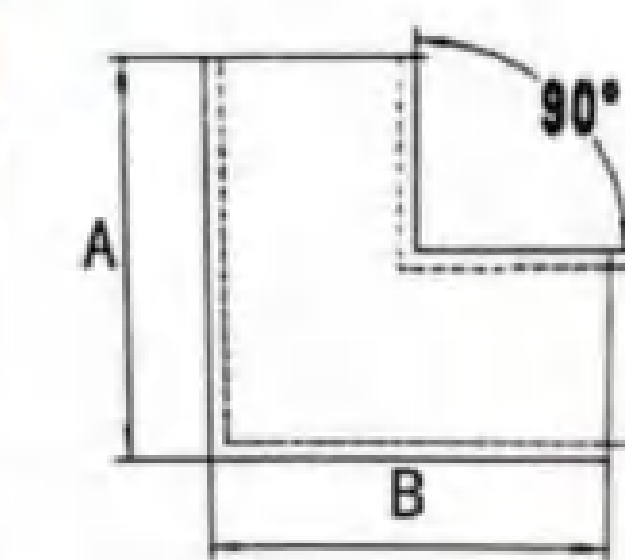
AISI316 STAINLESS STEEL SWIVEL JOINT FOR BIMINI PIPES
316不锈钢旋转接头活节管子接头

Code	D mm	L mm	Size
ALS5460-22	22.5	37.4	7/8"
ALS5460-25	25.5	37.7	1"

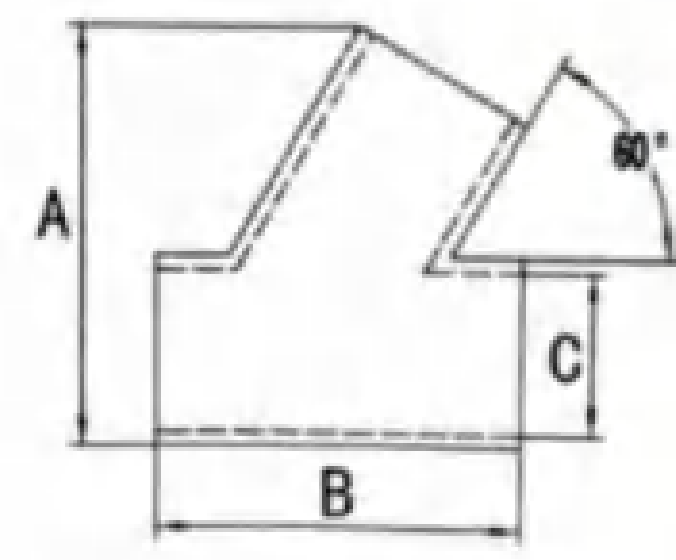


AISI316 STAINLESS STEEL 90°ELBOW
316不锈钢90°弯头

Code	A mm	B mm	C mm	Size
ALS5445-22	50	50	22.6	7/8"
ALS5445-25	51	51	25.7	1"
ALS5445-30	54	54	30.5	1-1/5"
ALS5445-32	55	55	32.6	1-1/4"

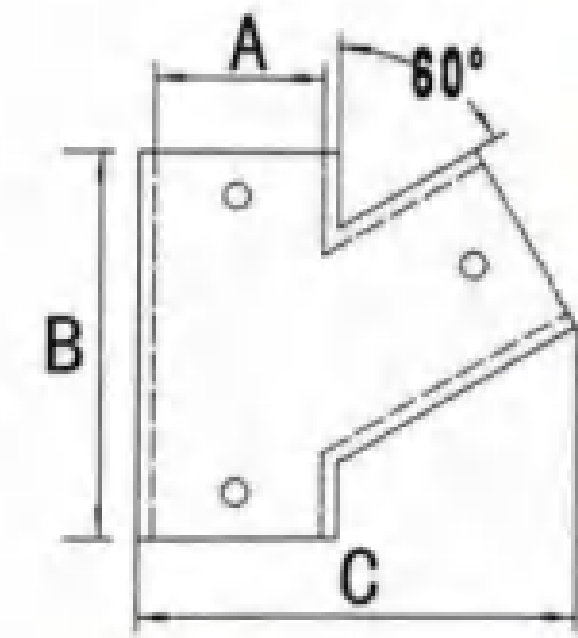


AISI316 STAINLESS STEEL HANDRAIL 60°HANDRAIL TEE
316不锈钢60° 扶手三通



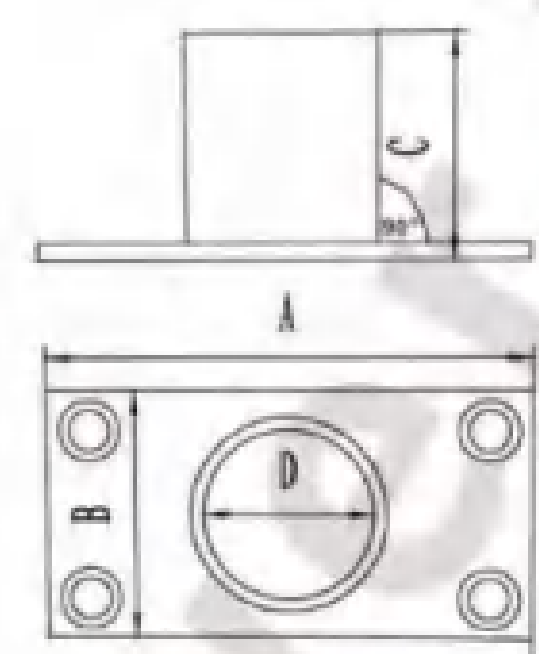
Code	A mm	B mm	C mm	Size
ALS5446-22	57	48	22.5	7/8"
ALS5446-25	60	52	25.5	1"
ALS5446-30	76	76	30.5	1-1/5"
ALS5446-32	76	76	32.6	1-1/4"

AISI316 STAINLESS STEEL 60°LEFT HAND HANDRAIL TEE
316不锈钢60° 左侧扶手三通



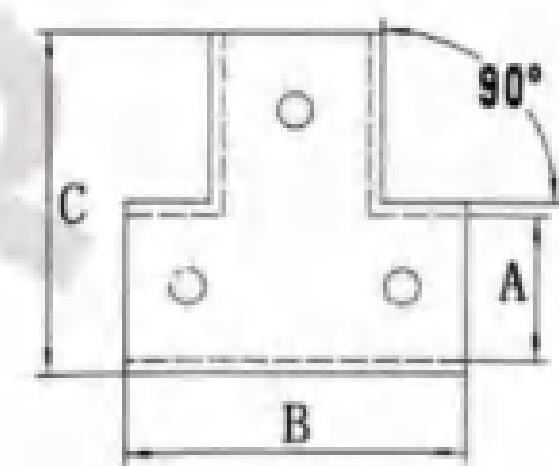
Code	A mm	B mm	C mm	Size
ALS5447-22	22.6	48	57	7/8"
ALS5447-14	25.5	52	60	1"

AISI316 STAINLESS STEEL 60°RIGHT HAND HANDRAIL TEE
316不锈钢60° 右侧扶手三通



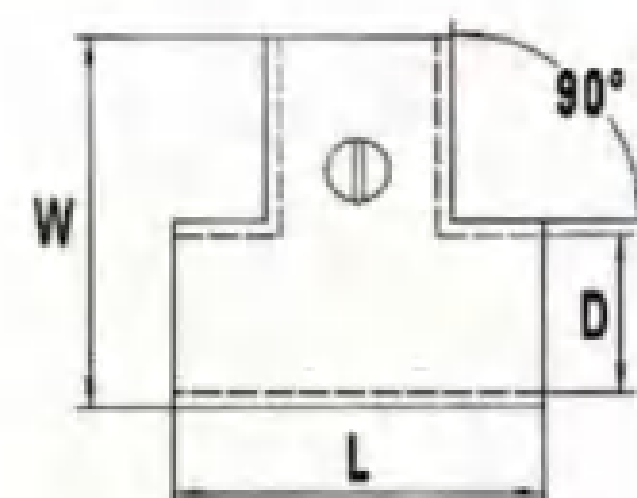
Code	A mm	B mm	C mm	Size
ALS5448-22	22.6	48	57	7/8"
ALS5448-25	25.5	52	60	1"

AISI316 STAINLESS STEEL 90°HANDRAIL TEE
316不锈钢直三通



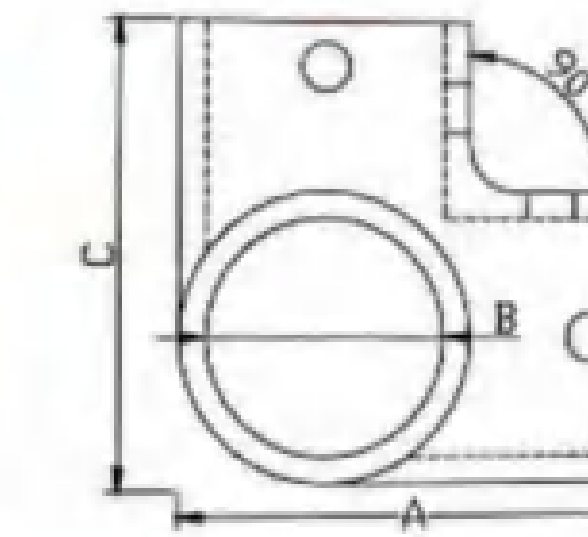
Code	A mm	B mm	C mm	Size
ALS5449-22	22.5	52	51	7/8"
ALS5449-25	25.5	53	51	1"
ALS5449-30	30.6	76	83	1-1/5"
ALS5449-32	32.5	76	88	1-1/4"

AISI316 STAINLESS STEEL 90°HANDRAIL TEE
316不锈钢开口三通



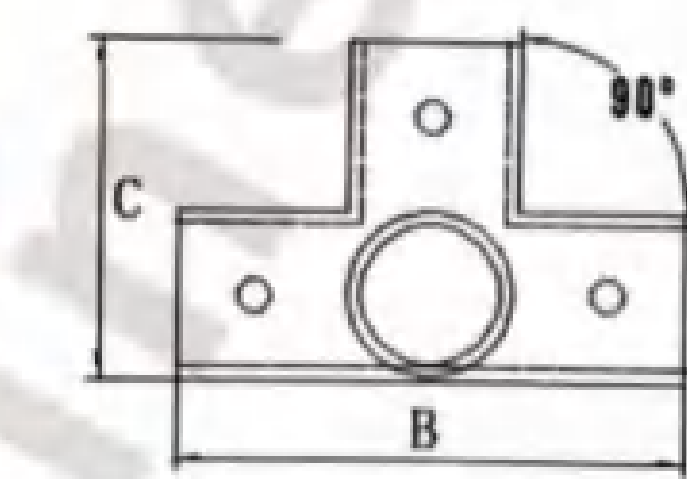
Code	D mm	L mm	W mm	Size
ALS5450-22	22.5	52	52	7/8"
ALS5450-25	25.5	55	55	1"

AISI316 STAINLESS STEEL 90°3-WAY TEE CONNECTOR
316不锈钢坐三通



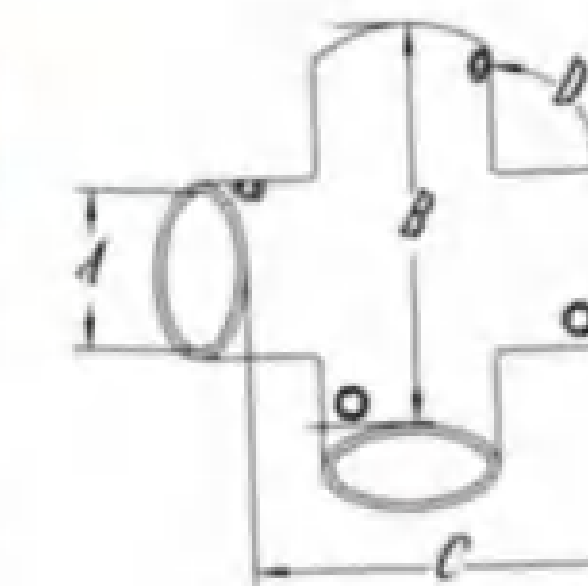
Code	A mm	B mm	C mm	Size
ALS5454-22	49.2	22.5	49.2	7/8"
ALS5454-25	49	25.5	49	1"
ALS5454-30	49	30.6	49	1-1/5"
ALS5454-32	57	32.5	57	1-1/4"

AISI316 STAINLESS STEEL 90°4-WAY TEE CONNECTOR
316不锈钢坐四通



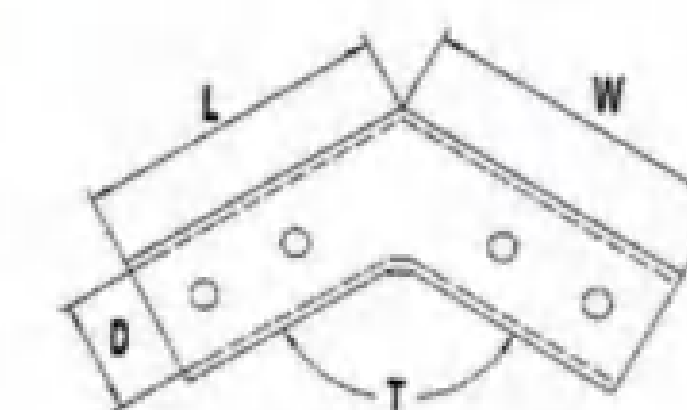
Code	A mm	B mm	C mm	Size
ALS5455-22	22.5	72.4	51	7/8"
ALS5455-25	25.5	71.7	51.4	1"

AISI316 STAINLESS STEEL 90°CROSS TEE CONNECTOR
316不锈钢十字通



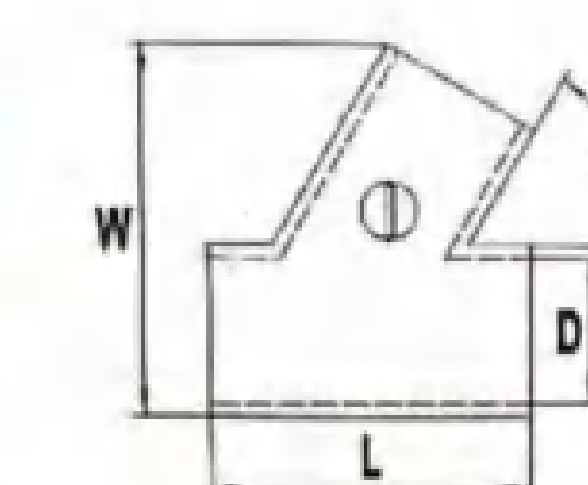
Code	A mm	B mm	C mm	Size
ALS5456-22	22.5	72.4	72.5	7/8"
ALS5456-25	25.5	71.7	71.7	1"
ALS5456-30	30.5	75	75	1-1/5"

AISI316 STAINLESS STEEL BOW FORM
316不锈钢弓形弯头



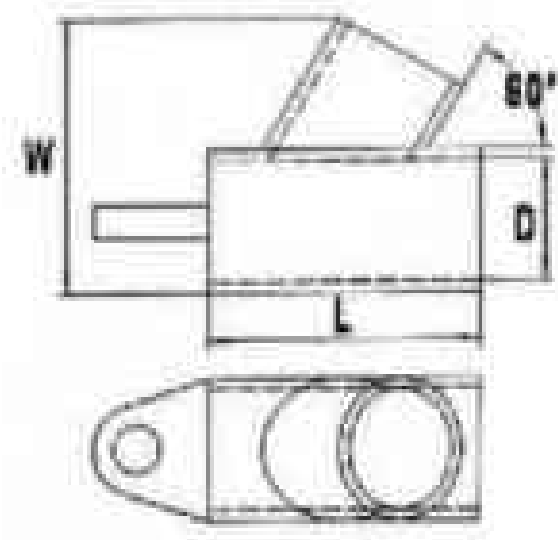
Code	D mm	L mm	H mm	T	Size
ALS11022	22.6	63	63	110°	7/8"
ALS11025	25.6	63	63	110°	1"
ALS12022	22.6	64	64	120°	7/8"
ALS12025	25.6	64	64	120°	1"
ALS12522	22.6	64	64	125°	7/8"
ALS12525	25.6	64	64	125°	1"
ALS14022	22.6	59	59	140°	7/8"
ALS14025	25.6	59	59	140°	1"

AISI316 STAINLESS STEEL 60°HANDRAIL BASE
316不锈钢60° 开口三通



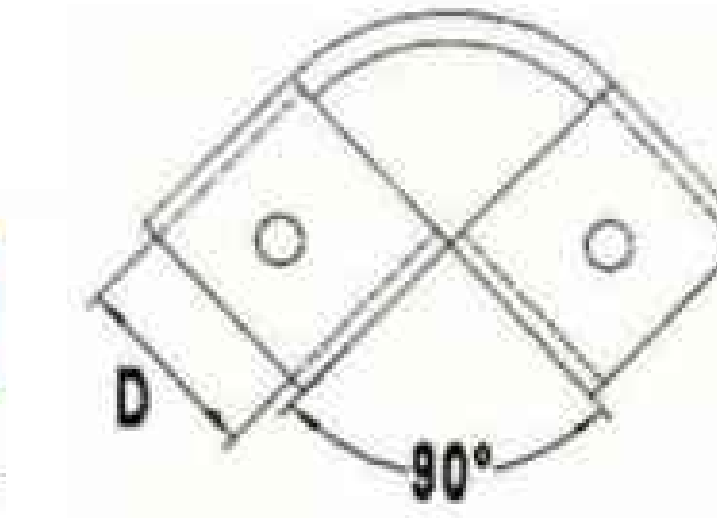
Code	D mm	L mm	W mm	Size
ALS5451-22	22.5	48	57	7/8"
ALS5451-25	25.5	52	60	1"

AISI316 STAINLESS STEEL 60° TEE CONNECTOR
316不锈钢60°提手三通



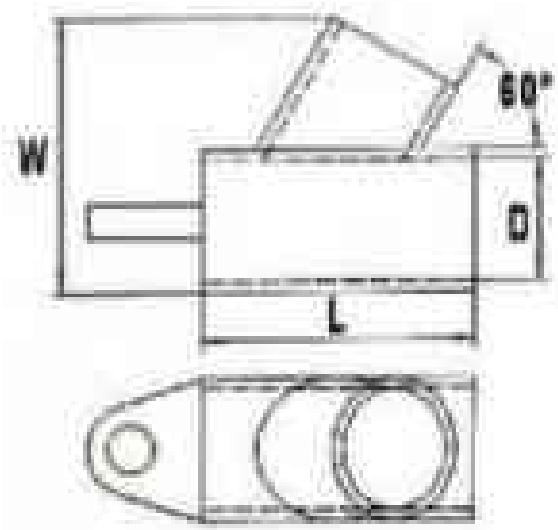
Code	D mm	L mm	W mm	Size
ALS5459-22	22.5	48	57	7/8"

AISI316 STAINLESS STEEL 90°2-WAY TEE CONNECTOR
316不锈钢90°2通三通接头



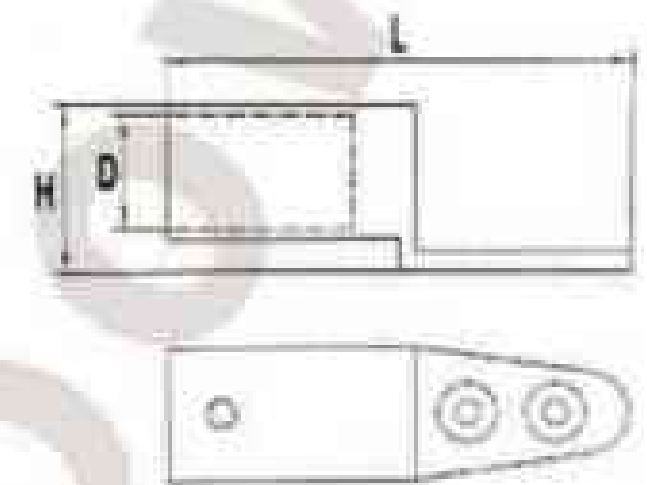
Code	D mm	Degree
ALS5457A	22.5	90°

AISI316 STAINLESS STEEL 90° TEE CONNECTOR
316不锈钢90°提手三通



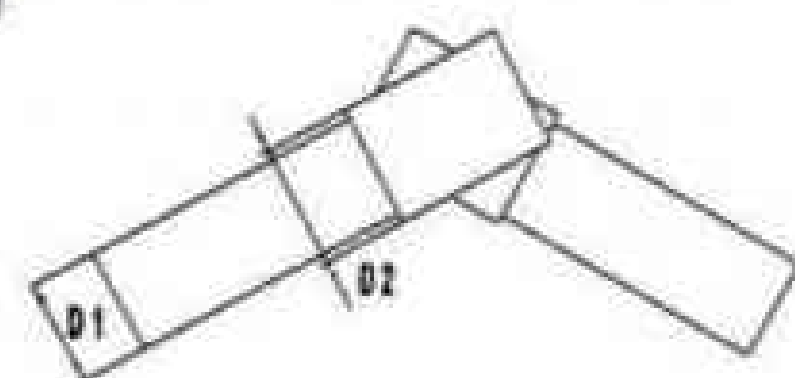
Code	D mm	L mm	W mm	Size
ALS5459-22	22.5	48	57	7/8"

AISI316 STAINLESS STEEL BLIND BASE
316不锈钢盲板底座



Code	D mm	L mm	H mm	Size
ALS5458A	25.5	87	34.2	1"

AISI316 STAINLESS STEEL SWIVEL JOINT FOR BIMINI PIPES
316不锈钢调节弯头



Code	D1 mm	D2 mm
ALS5461A	17.5	20.2
ALS5461B	17	20
ALS5461C	19.4	22
ALS5461D	18.8	22



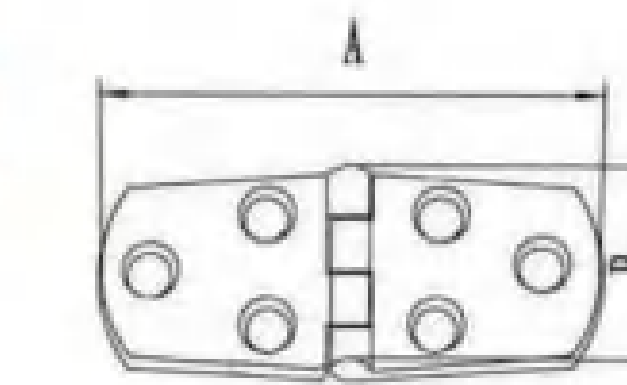


CASTING HINGE

PEOPLE OF DIFFERENT SPECIFICATIONS ARE YOUR CHOICE

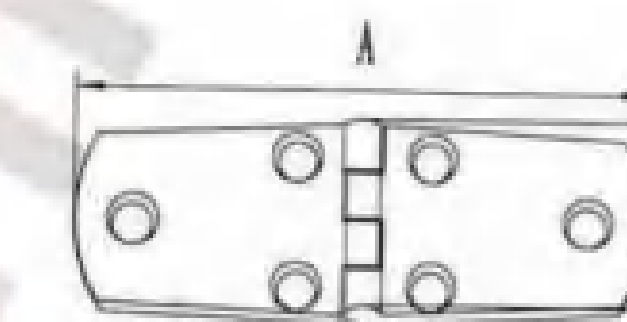
AISI316 STAINLESS STEEL CASTING HINGE
316不锈钢对称合页

Code	A mm	B mm	Thickness mm
ALS07638	76	38	4



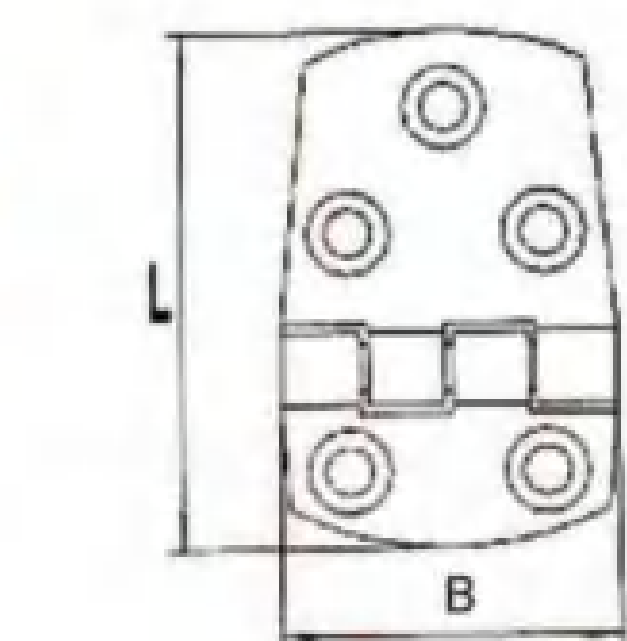
AISI316 STAINLESS STEEL CASTING HINGE
316不锈钢对称合页

Code	A mm	B mm	Thickness mm
ALS10538A	105	38	4.5
ALS11038B	117	38	4.5



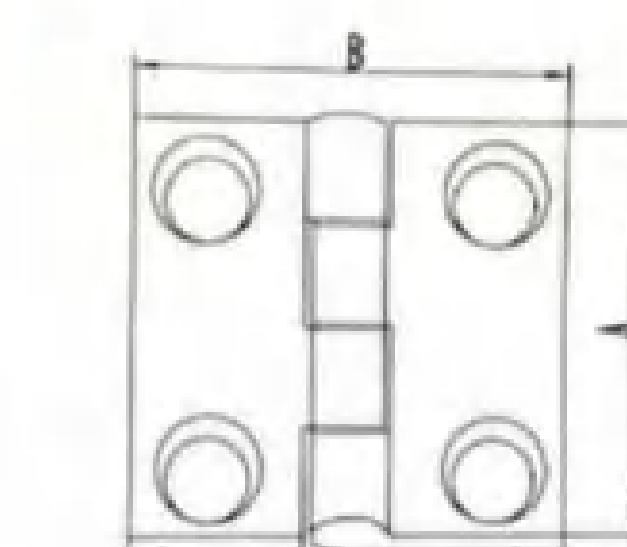
AISI316 STAINLESS STEEL CASTING HINGE
316不锈钢合页

Code	A mm	B mm	Thickness mm
ALS5738A	57	38	4.1
ALS7638B	76	38	4.1



AISI316 STAINLESS STEEL CASTING HINGE
316不锈钢合页

Code	A mm	B mm	Thickness mm
ALS4040A	38	38	3.9
ALS4040B	40	40	3.9
ALS5050C	50	50	3.9

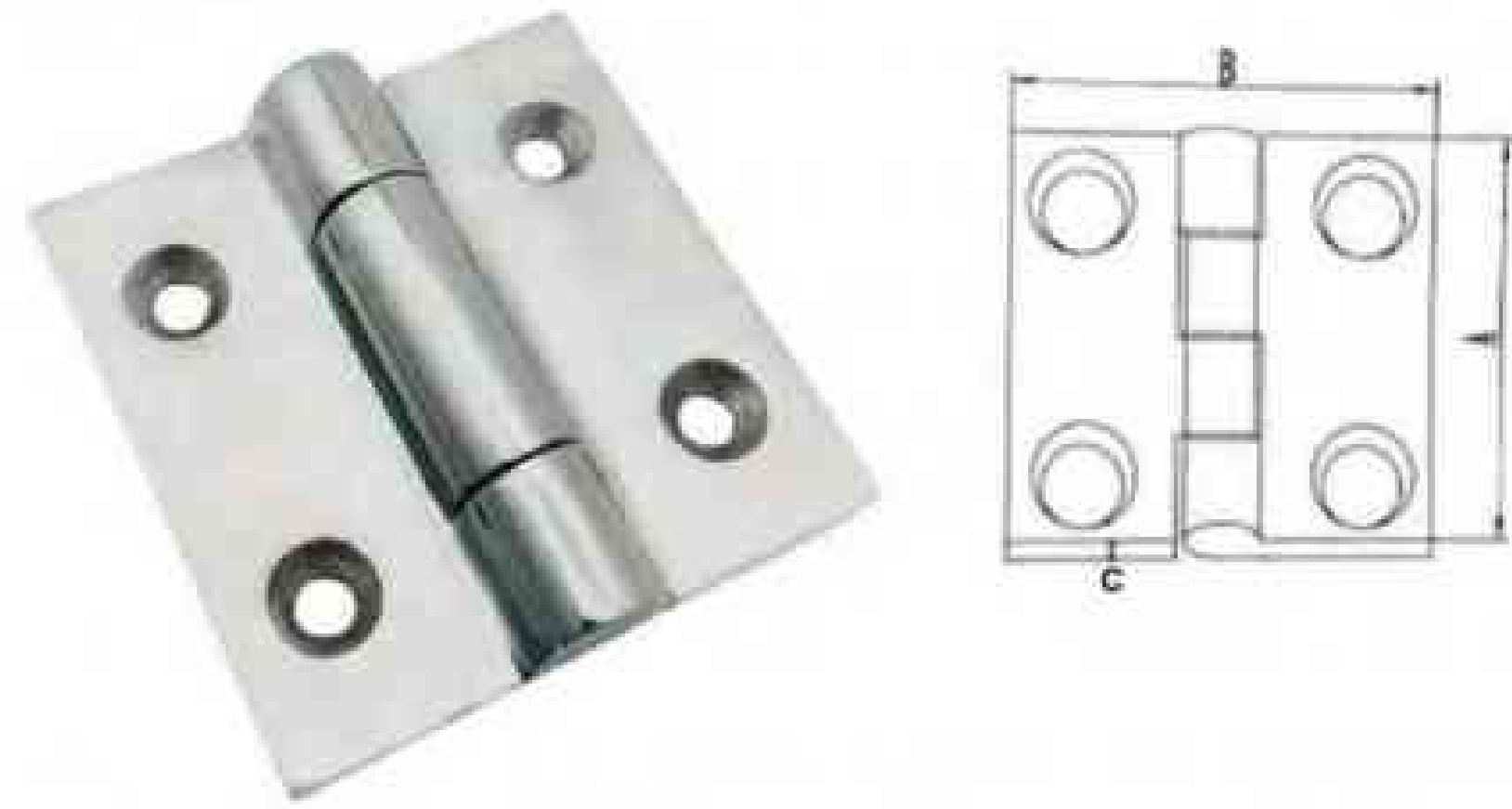


AISI316 STAINLESS STEEL CASTING HINGE
316不锈钢对称合页

Code	L mm	W mm	Thickness mm
ALS20038A	200	38	2.4

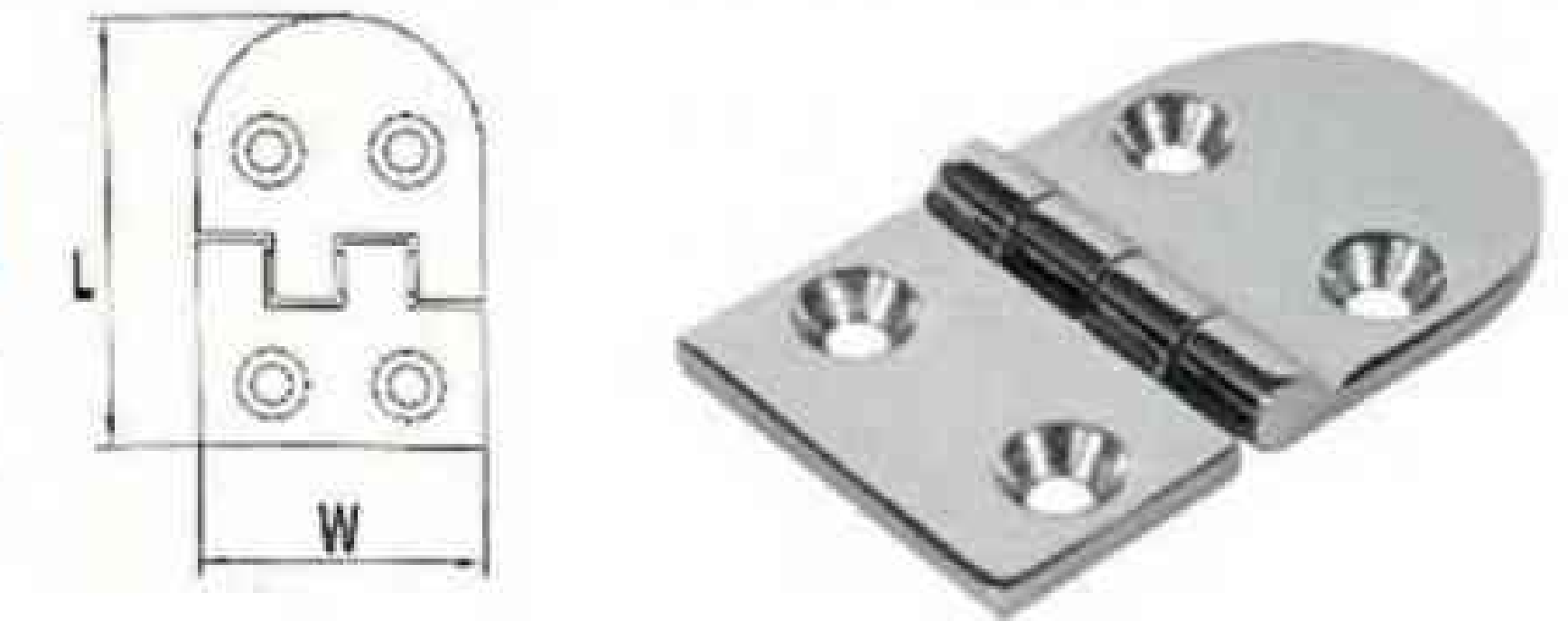


AISI316 STAINLESS STEEL CASTING HINGE
316不锈钢合页



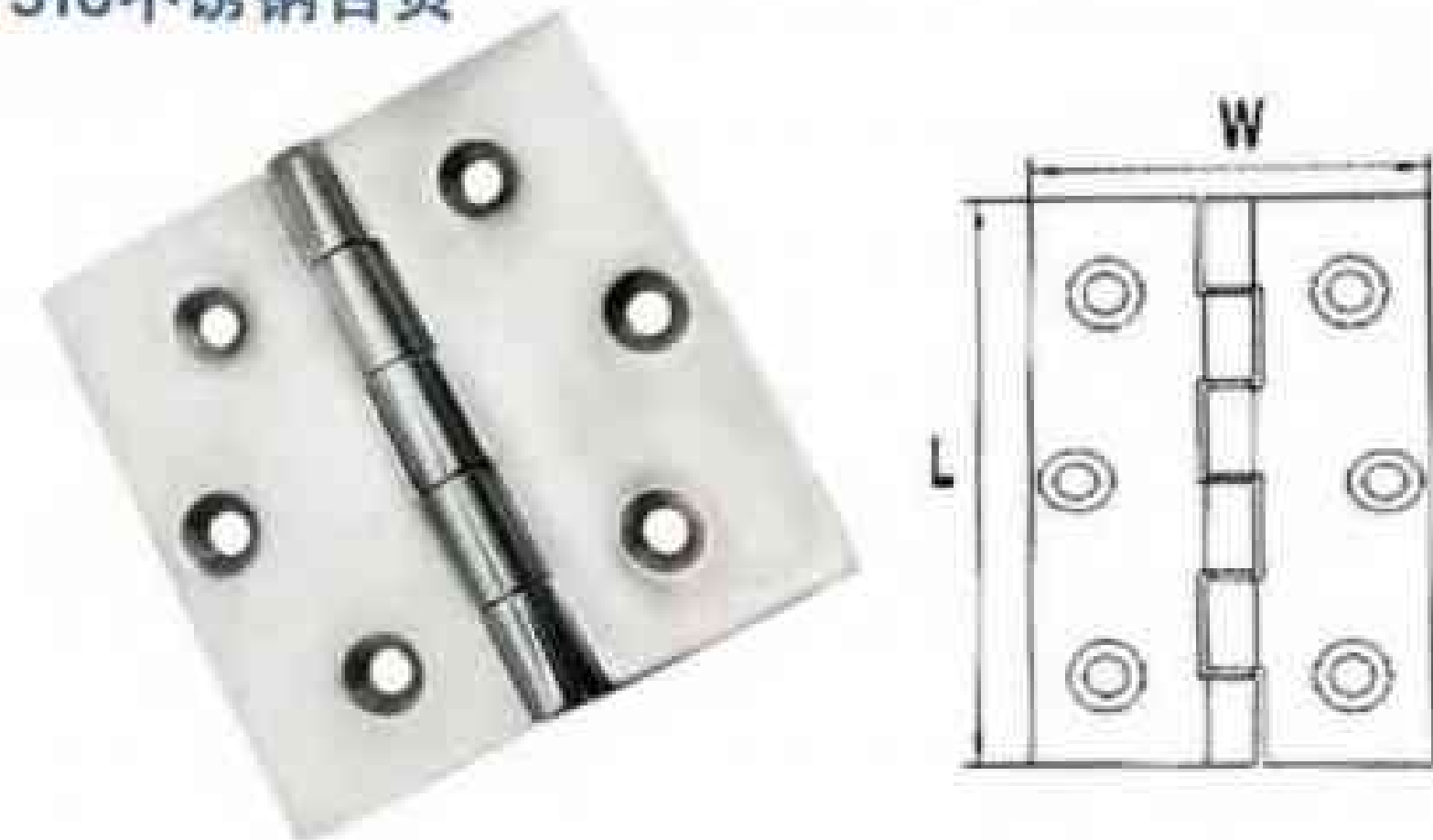
Code	A mm	B mm	C mm	Thickness mm
ALS7575	75	75	6	3.9

AISI316 STAINLESS STEEL CASTING HINGE
316不锈钢合页



Code	L mm	W mm	Thickness mm
ALS7040A	71	40	3.5
ALS8164A	81	64	3.5

AISI316 STAINLESS STEEL CASTING HINGE
316不锈钢合页



Code	L mm	W mm	Thickness mm
ALS7676	76	76	3.1

AISI316 STAINLESS STEEL CASTING HINGE
316不锈钢分体左/右合页



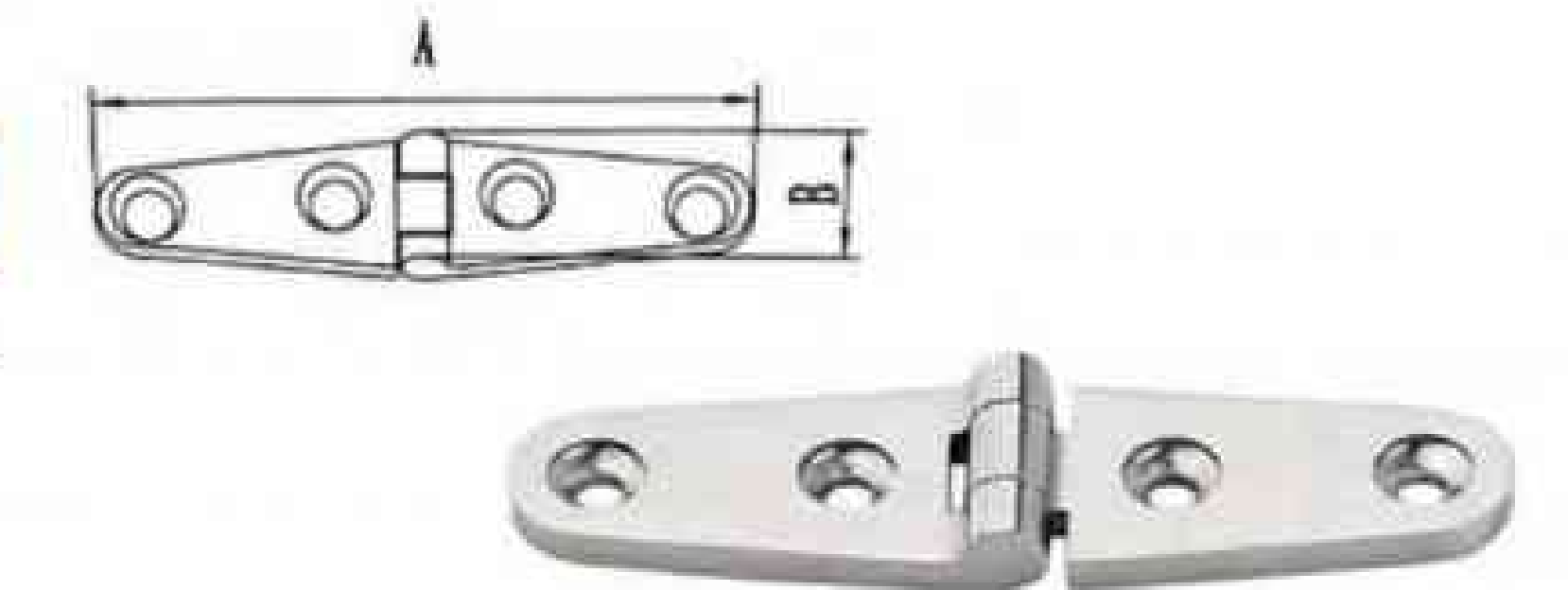
Code	L mm	W mm	Thickness mm
ALS9038L	90	40	5
ALS9038R	90	40	5

AISI316 STAINLESS STEEL CASTING HINGE
316不锈钢合页



Code	L mm	W mm	Thickness mm
ALS5437A	54	37	4.2
ALS7037B	70	37	4.2

AISI316 STAINLESS STEEL CASTING HINGE
316不锈钢对称合页



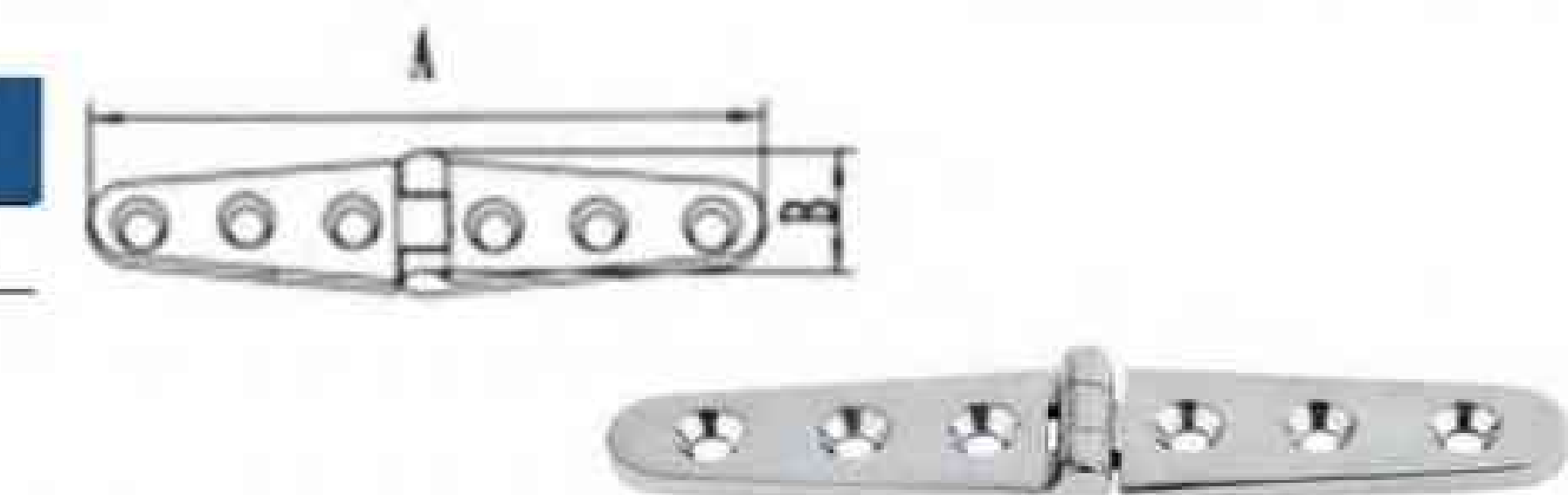
Code	L mm	W mm	Thickness mm
ALS10327	103	27	4.3

AISI316 STAINLESS STEEL CASTING HINGE
316不锈钢合页



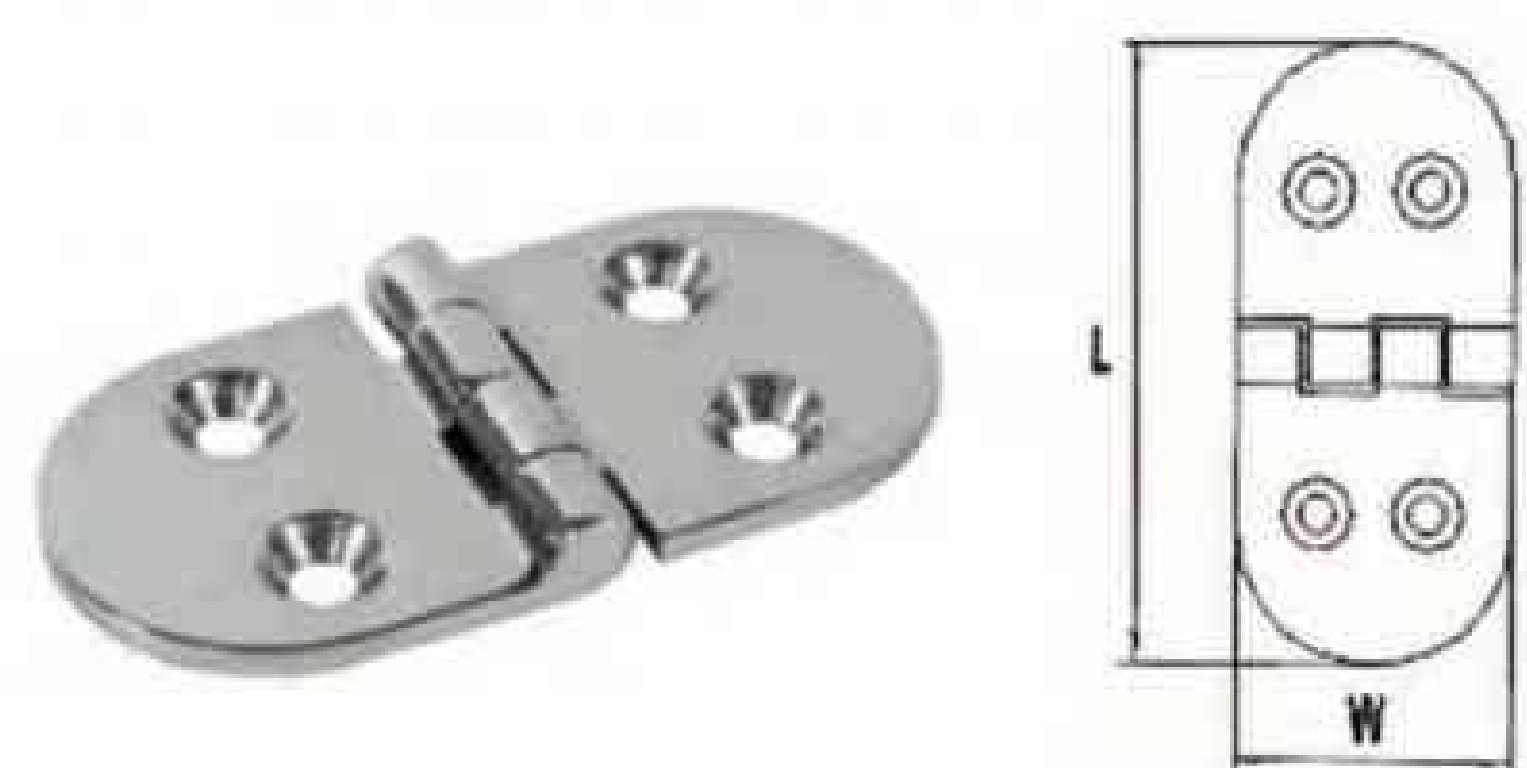
Code	L mm	W mm	Thickness mm
ALS6037A	60	37	4.1

AISI316 STAINLESS STEEL CASTING HINGE
316不锈钢对称合页



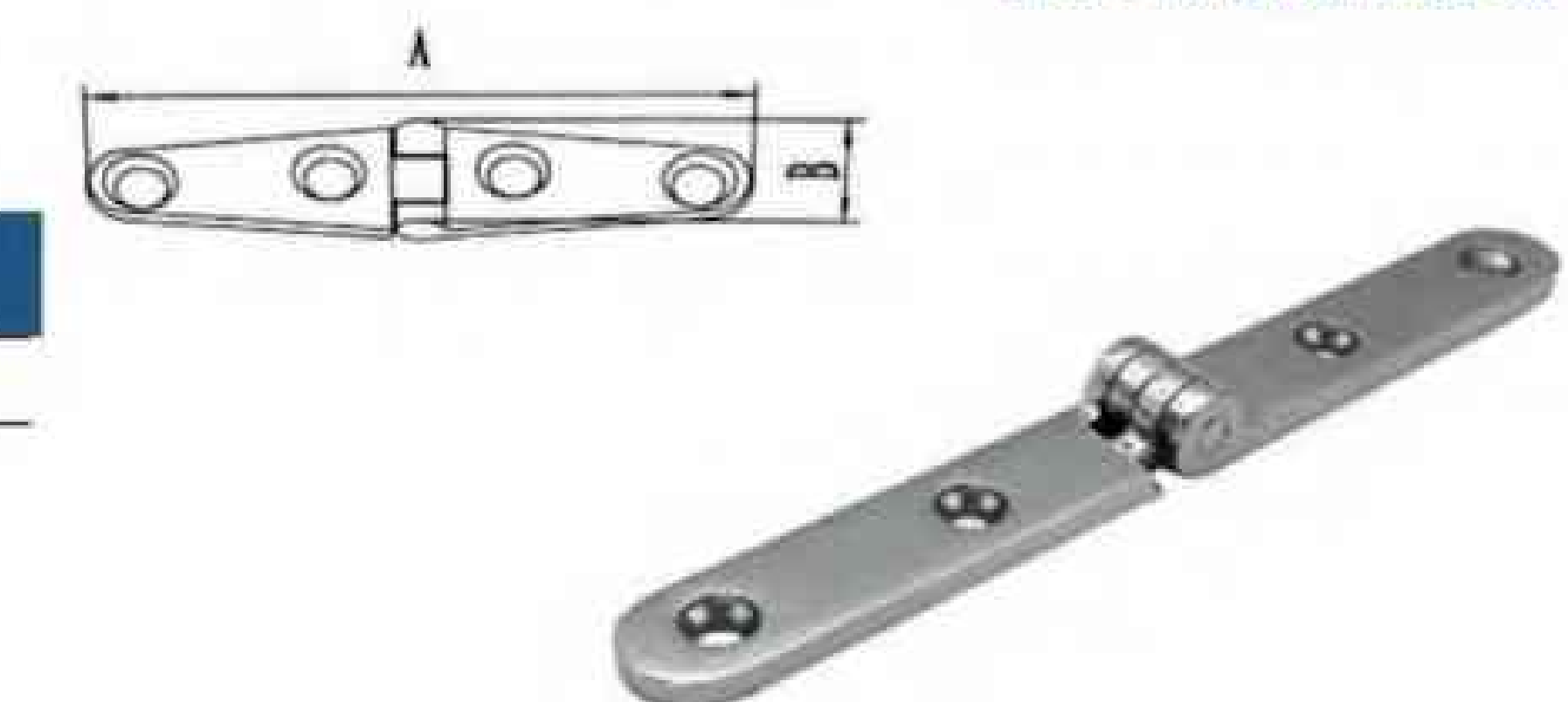
Code	L mm	W mm	Thickness mm
ALS15230	152	30	5

AISI316 STAINLESS STEEL CASTING HINGE
316不锈钢对称合页



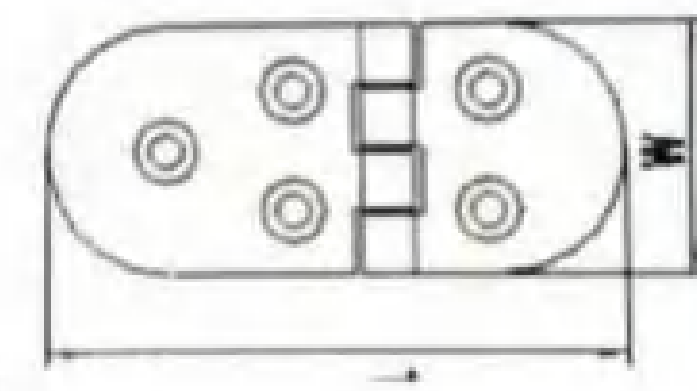
Code	L mm	W mm	Thickness mm
ALS7638A	76	38	3.1

AISI316 STAINLESS STEEL CASTING HINGE
316不锈钢对称合页



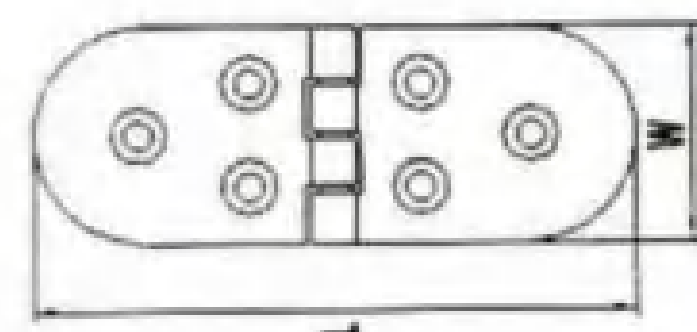
Code	L mm	W mm	Thickness mm
ALS17038	170	18	4.5

AISI316 STAINLESS STEEL CASTING HINGE
316不锈钢合页



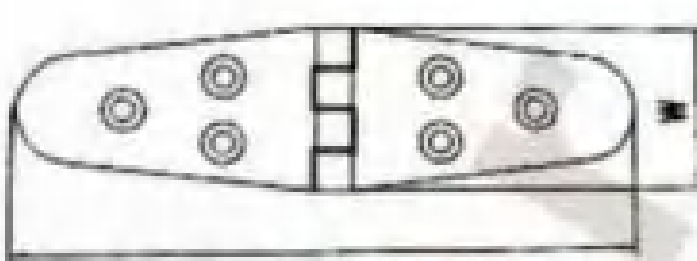
Code	L mm	W mm	Thickness mm
ALS11038	110	38	4.3

AISI316 STAINLESS STEEL CASTING HINGE
316不锈钢对称合页



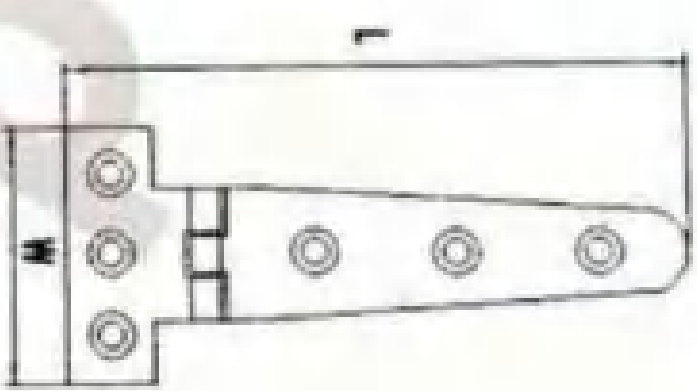
Code	L mm	W mm	Thickness mm
ALS07835A	78	35	4.3
ALS17140B	171	40	4
ALS18963C	189	63	4.3
ALS22564D	225	64	4.3

AISI316 STAINLESS STEEL CASTING HINGE
316不锈钢对称合页



Code	L mm	W mm	Thickness mm
ALS14038A	140	38	2.9
ALS14438B	147	38	3.2

AISI316 STAINLESS STEEL CASTING HINGE
316不锈钢“T”型合页



Code	L mm	W mm	Thickness mm
ALS10054A	100	54	5.20
ALS15175B	151	74	5.22
ALS20097C	200	97	5.23

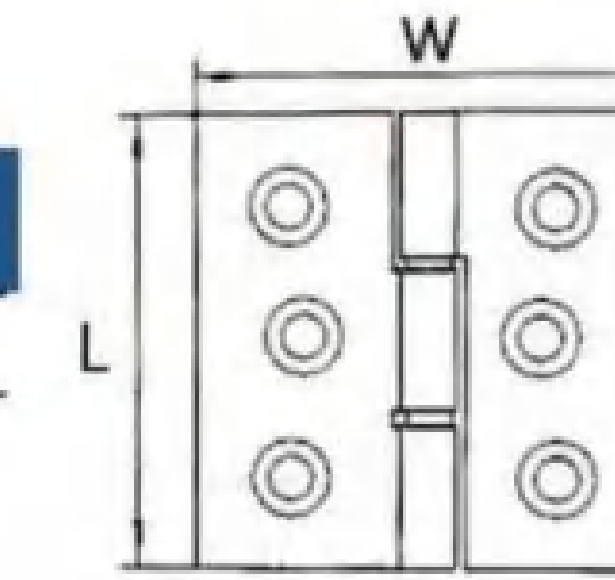
AISI316 STAINLESS STEEL CASTING ROUND HINGE
316不锈钢对称合页



Code	L mm	W mm	Thickness mm
ALS06565	65	65	7.7

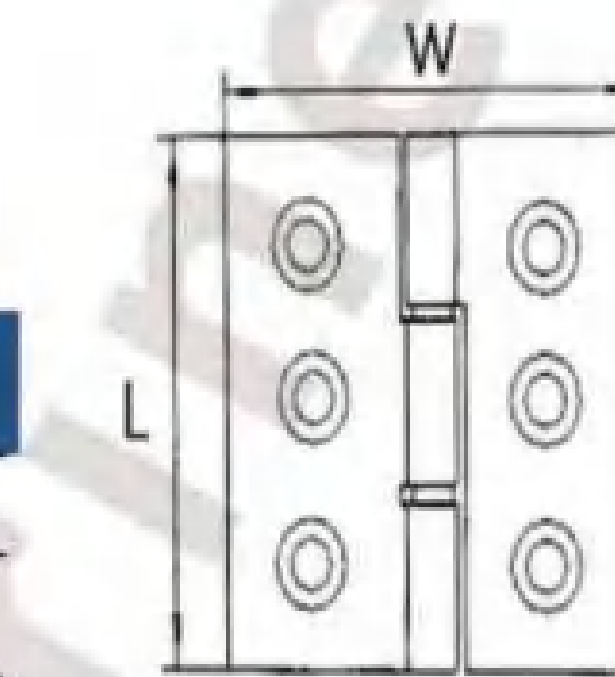
AISI316 STAINLESS STEEL CASTING HINGE
316不锈钢对称合页

Code	L mm	W mm	Thickness mm
ALS8040A	80	70	5



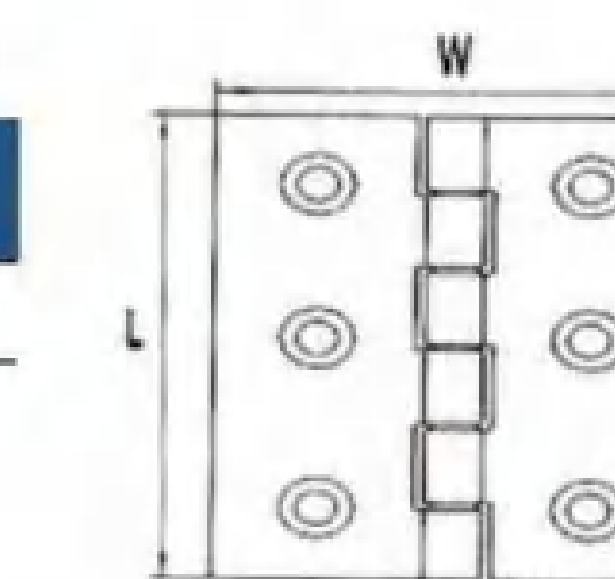
AISI316 STAINLESS STEEL CASTING HINGE
316不锈钢对称合页

Code	L mm	W mm	Thickness mm
ALS10070A	100	70	6
ALS12090B	120	90	6



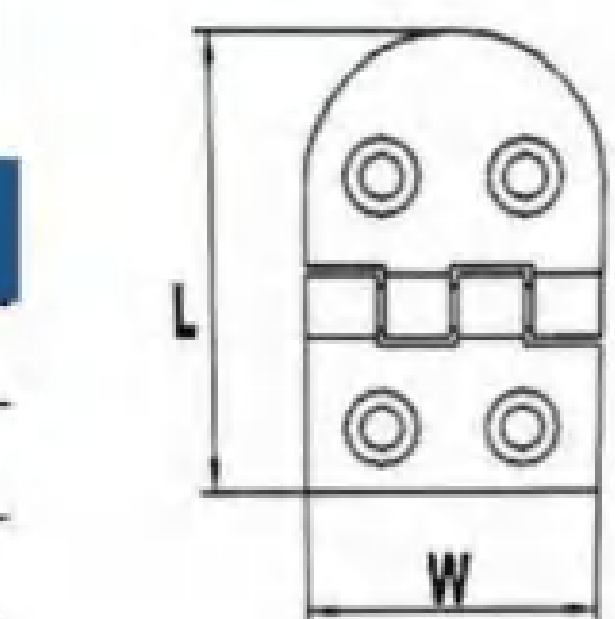
AISI316 STAINLESS STEEL CASTING HINGE
316不锈钢对称合页

Code	L mm	W mm	Thickness mm
ALS100100A	100	100	6.4



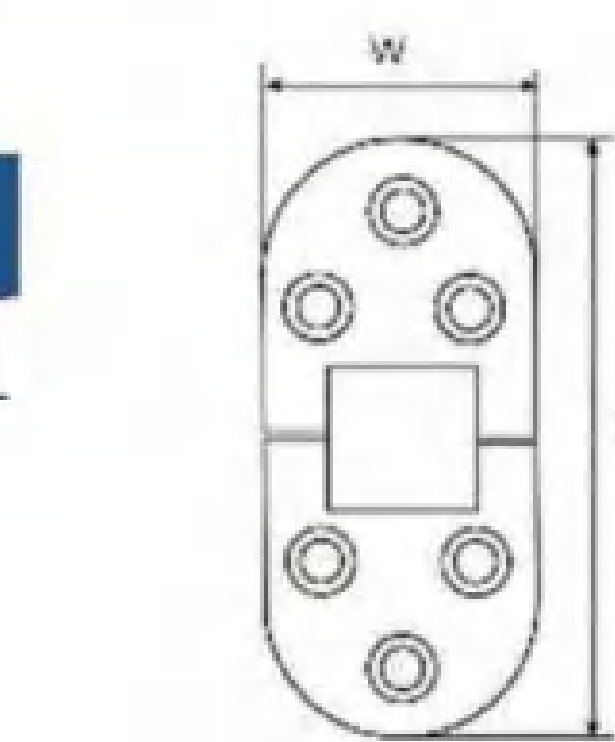
AISI316 STAINLESS STEEL CASTING HINGE
316不锈钢合页

Code	L mm	W mm	Thickness mm
ALS07040A	70	40	3.5
ALS08365B	83	65	3.7
ALS10365C	103	65	3.7



AISI316 STAINLESS STEEL CASTING HINGE
316不锈钢合页

Code	L mm	W mm	Thickness mm
ALS6629A	66	29	3.5



AISI316 STAINLESS STEEL CASTING HINGE
316不锈钢合页



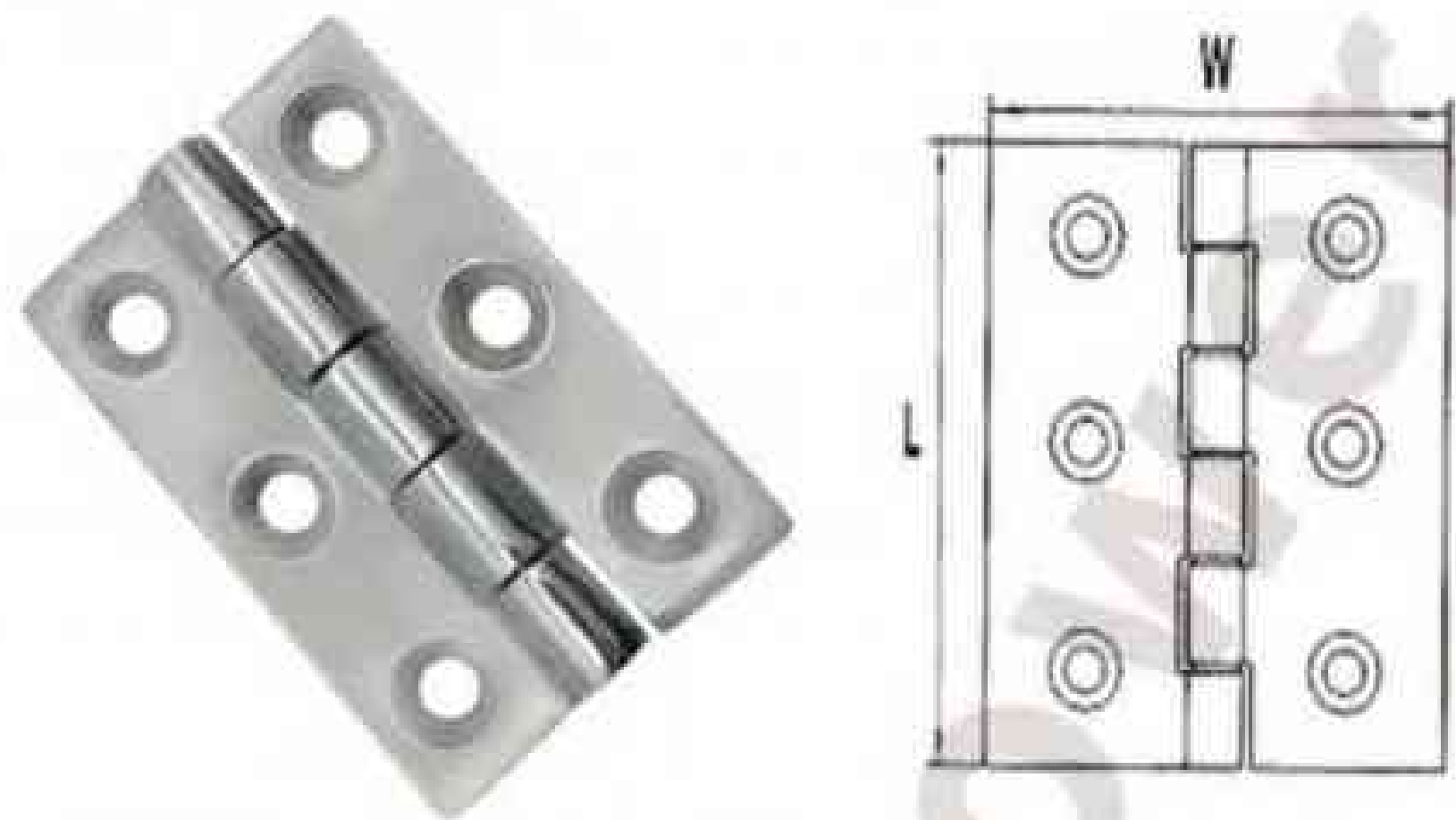
Code	L mm	W mm	Thickness mm
ALS7835A	78	35	4.3

AISI316 STAINLESS STEEL CASTING HINGE
316不锈钢合页



Code	L mm	W mm	Thickness mm
ALS8360A	83	60	4.1

AISI316 STAINLESS STEEL CASTING HINGE
316不锈钢对称合页



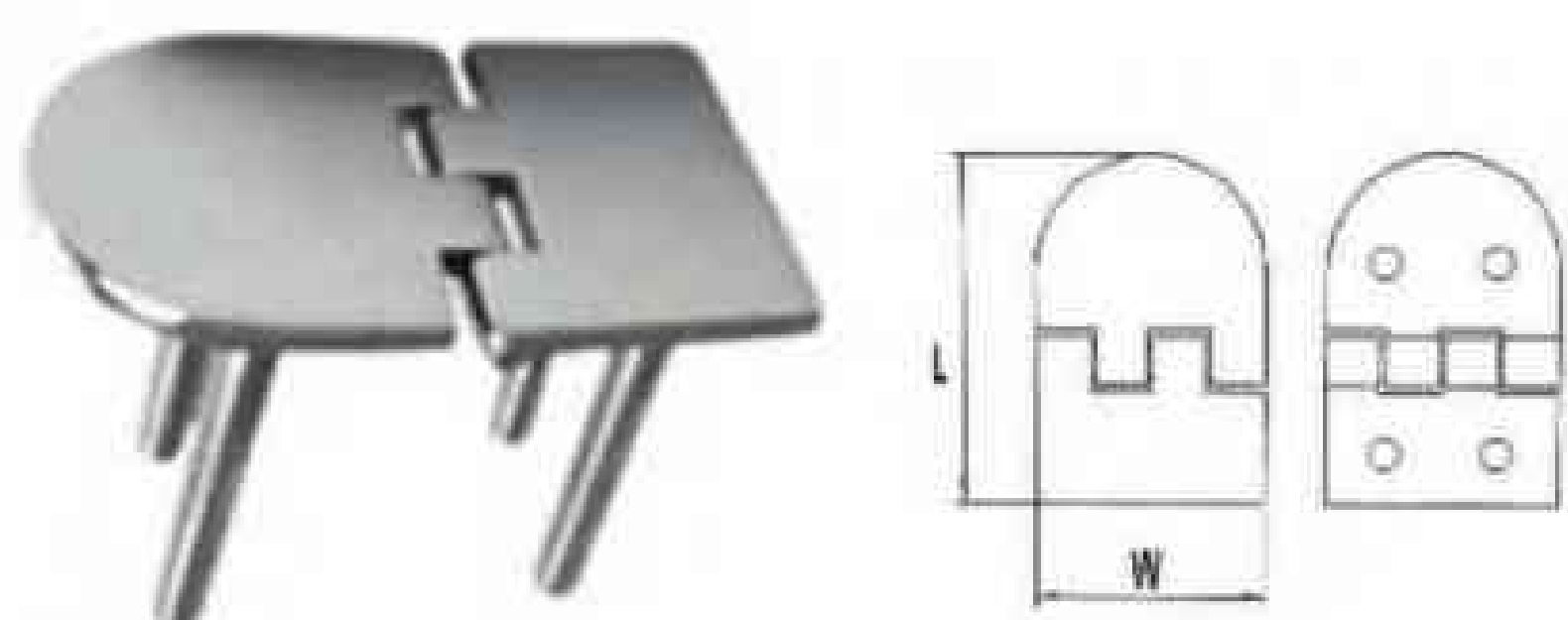
Code	L mm	W mm	Thickness mm
ALS7550A	75	50	4.2

AISI316 STAINLESS STEEL CASTING HINGE
316不锈钢合页



Code	L mm	W mm	Thickness mm
ALS18664A	186	64	4.3

AISI316 STAINLESS STEEL STAMPING HINGE
316不锈钢合页



Code	L mm	W mm	Thick mm
ALS8959A	94	49	4.3

AISI316 STAINLESS STEEL CASTING HINGE
316不锈钢合页



Code	L mm	W mm	Thickness mm
ALS8959A	89	59	3.8

AISI316 STAINLESS STEEL CASTING HATCH HINGE
316不锈钢合页



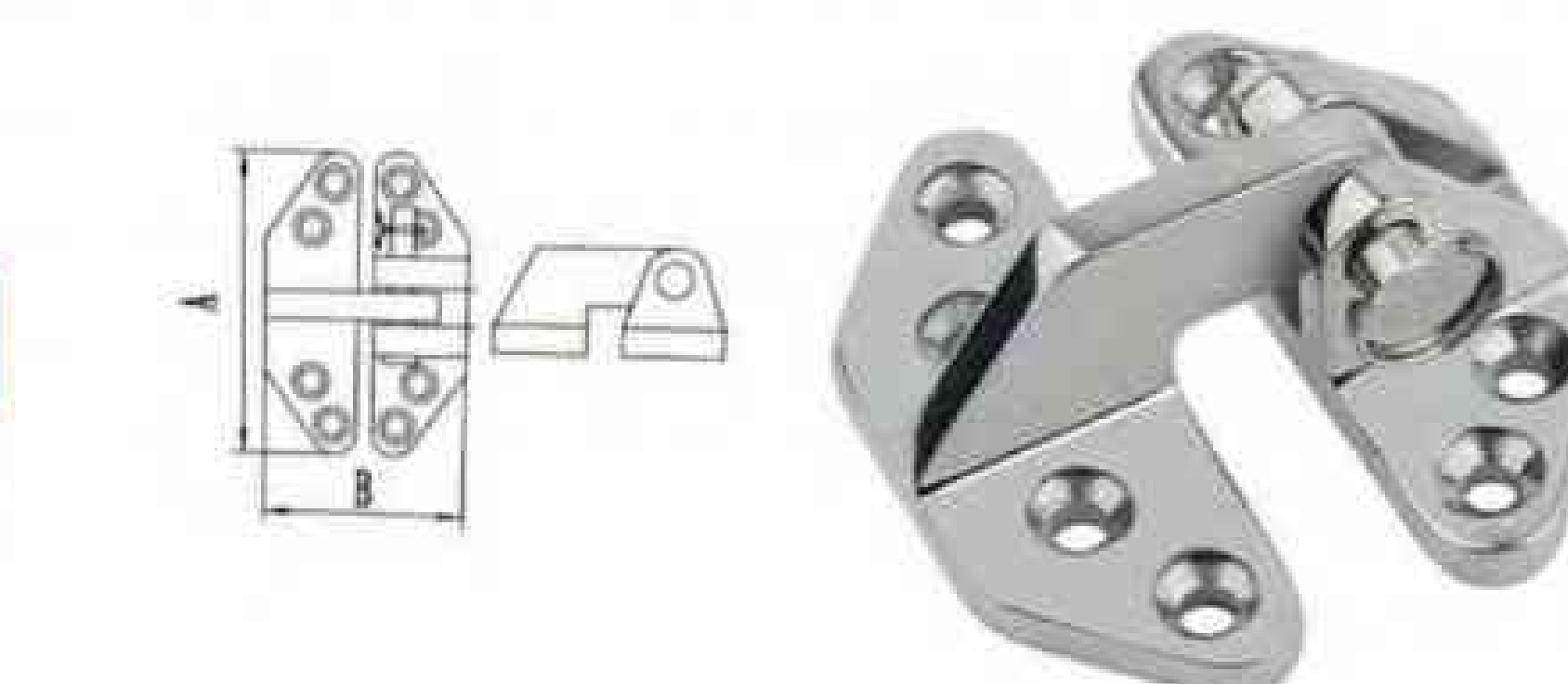
Code	L mm	W mm	Thickness mm
ALS7654A	76	54.3	6.3

AISI316 STAINLESS STEEL CASTING HATCH HINGE
316不锈钢合页

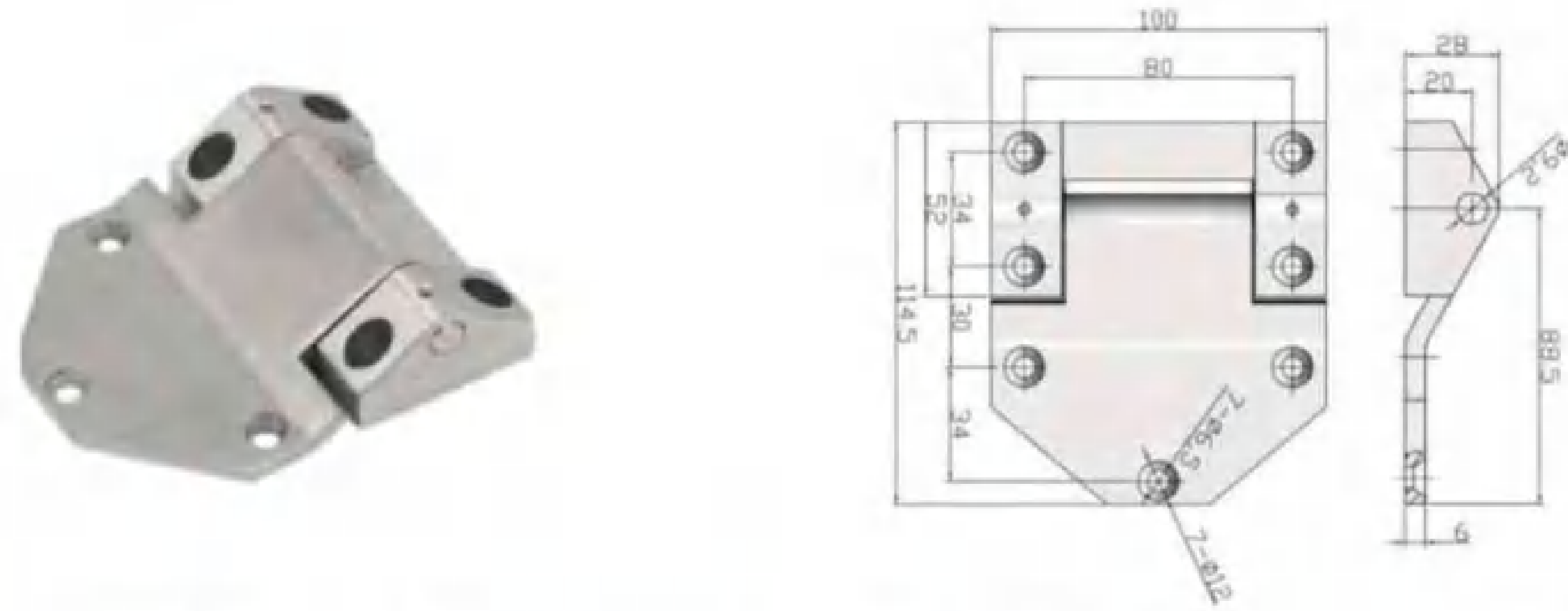


Code	L mm	W mm	Thickness mm
ALS7665B	76	65.5	6.3

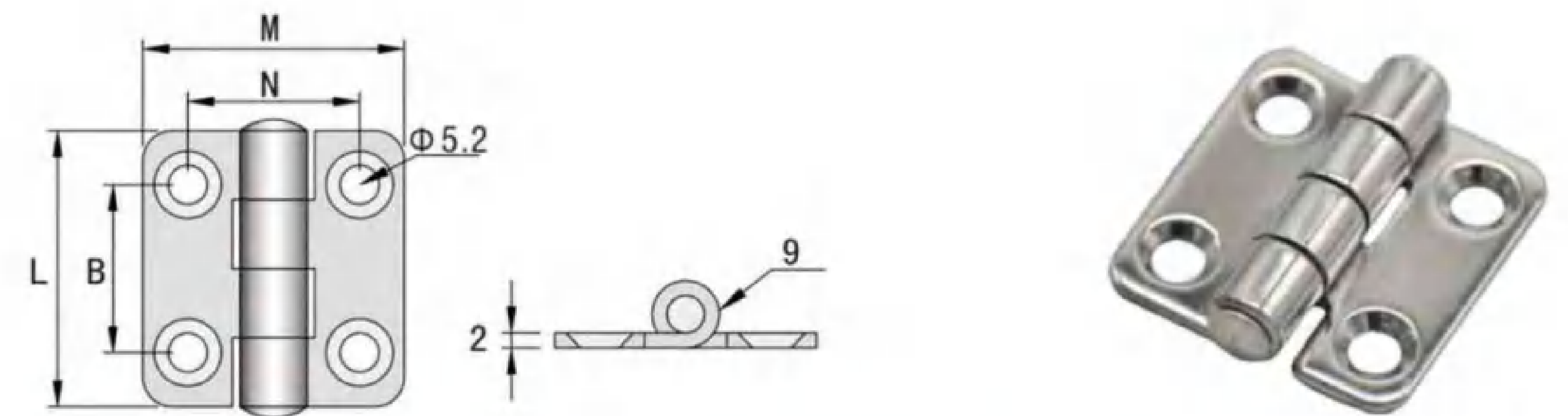
AISI316 STAINLESS STEEL CASTING HATCH HINGE
316不锈钢合页



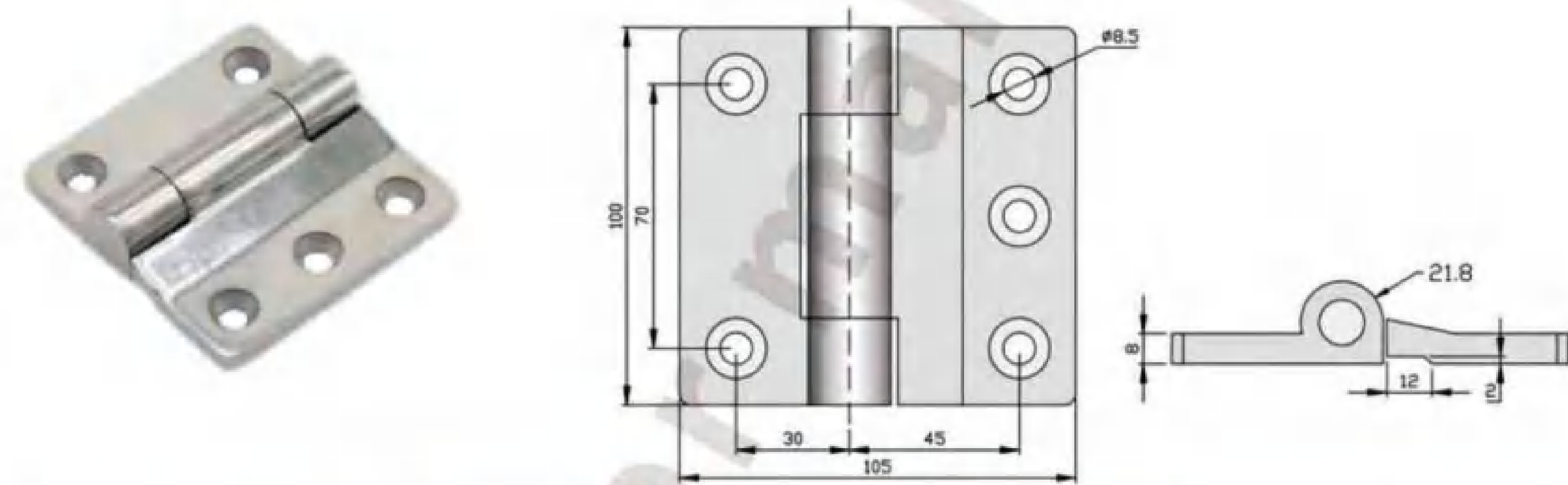
Code	L mm	W mm	Thickness mm
ALS7165A	71	65.5	6.3



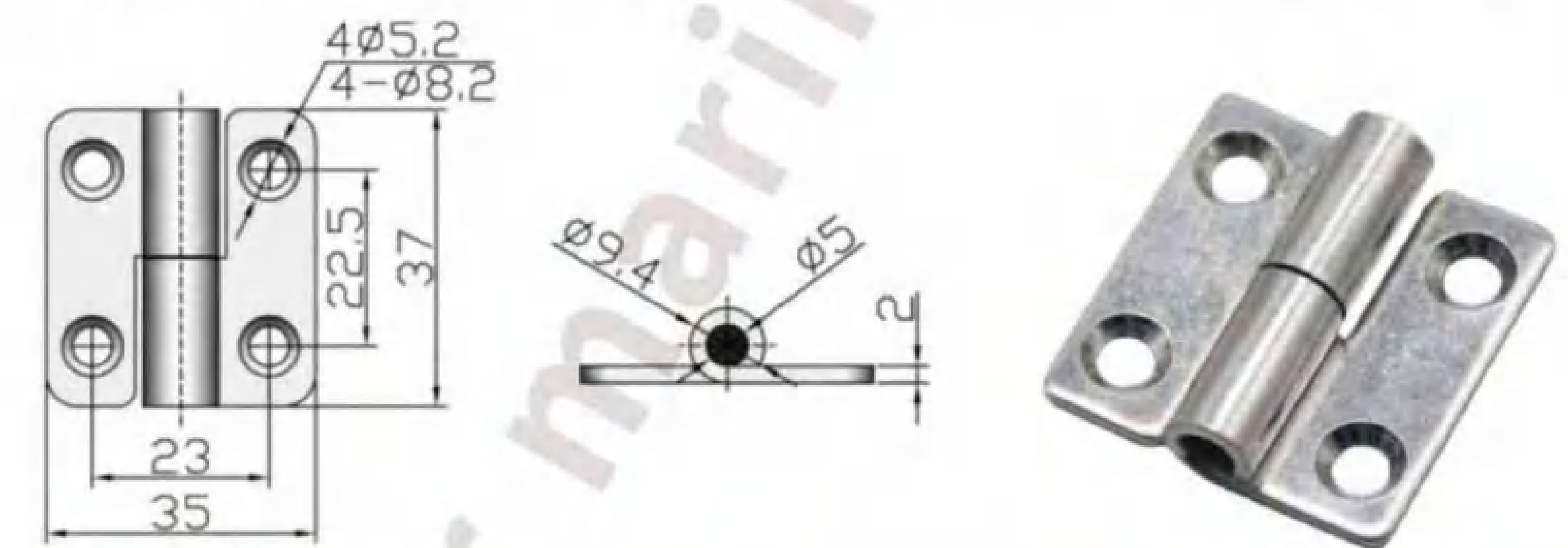
型号 Code	材质 Material	表面处理 Surface treatment	转动角度 Rotation angle	备注 Remarks
ALS125	304S.S	镜面抛光/拉丝抛光 Mirror polish/Wire drawing polish	180°	SSK18-52



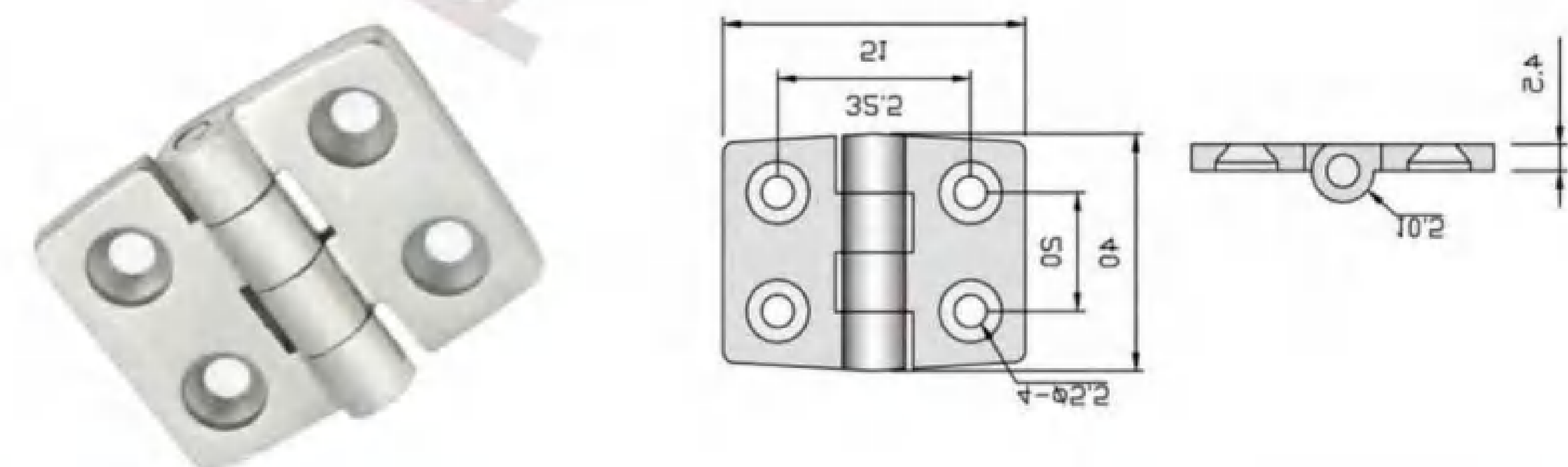
型号 Code	L	M	N	B	材质 Material	表面处理 Surface treatment	转动角度 Rotation angle	备注 Remarks
ALS138-30	30	30	20	15	304S.S	镜面抛光/拉丝抛光/振动研磨 Mirror polish/Wire drawing polish/ Vibration grinding	180°	
ALS138-37	37	35	23	22.5				CL253-1
ALS138-41	41	36	21	25				CL253-21



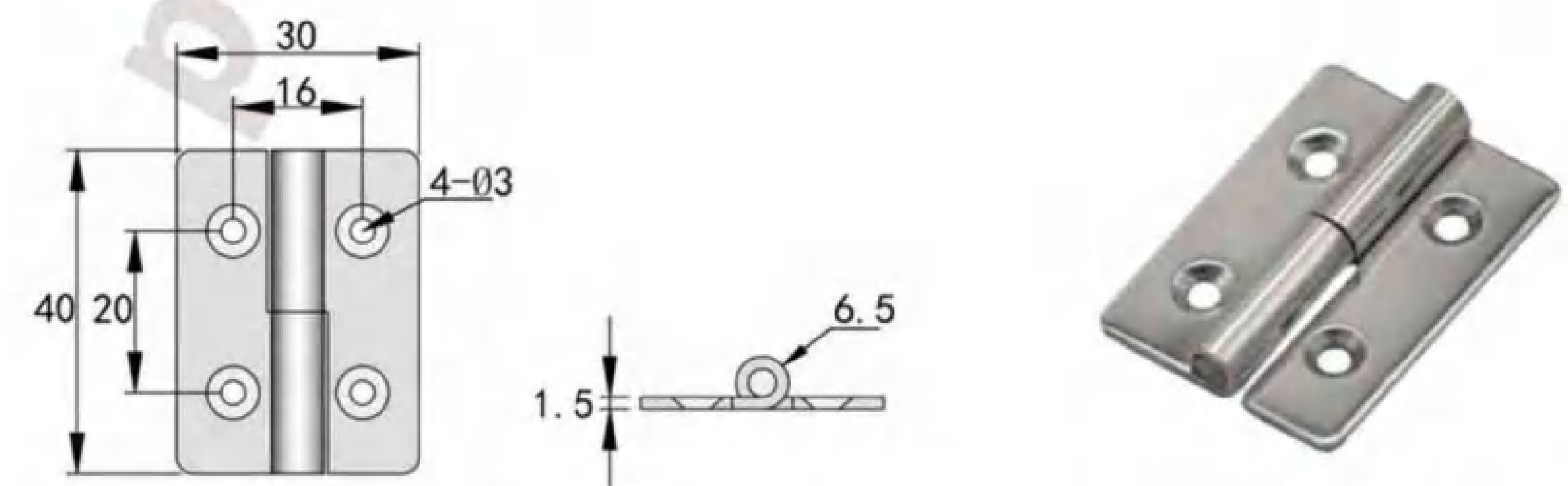
型号 Code	材质 Material	表面处理 Surface treatment	转动角度 Rotation angle	备注 Remarks
ALS126	304S.S	镜面抛光/拉丝抛光 Mirror polish/Wire drawing polish	180°	CL 143



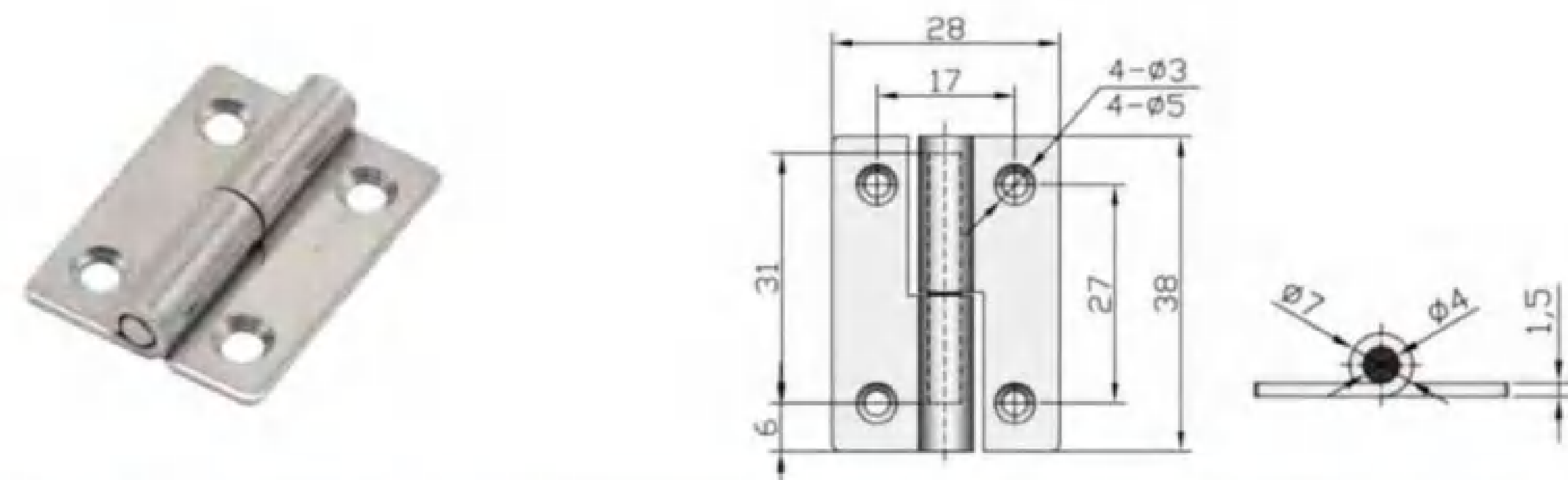
型号 Code	材质 Material	表面处理 Surface treatment	转动角度 Rotation angle	备注 Remarks
ALS139-L	304S.S	镜面抛光/拉丝抛光 Mirror polish/Wire drawing polish/Vibration grinding	180°	左
ALS139-R	304S.S	镜面抛光/拉丝抛光 Mirror polish/Wire drawing polish/Vibration grinding	180°	右



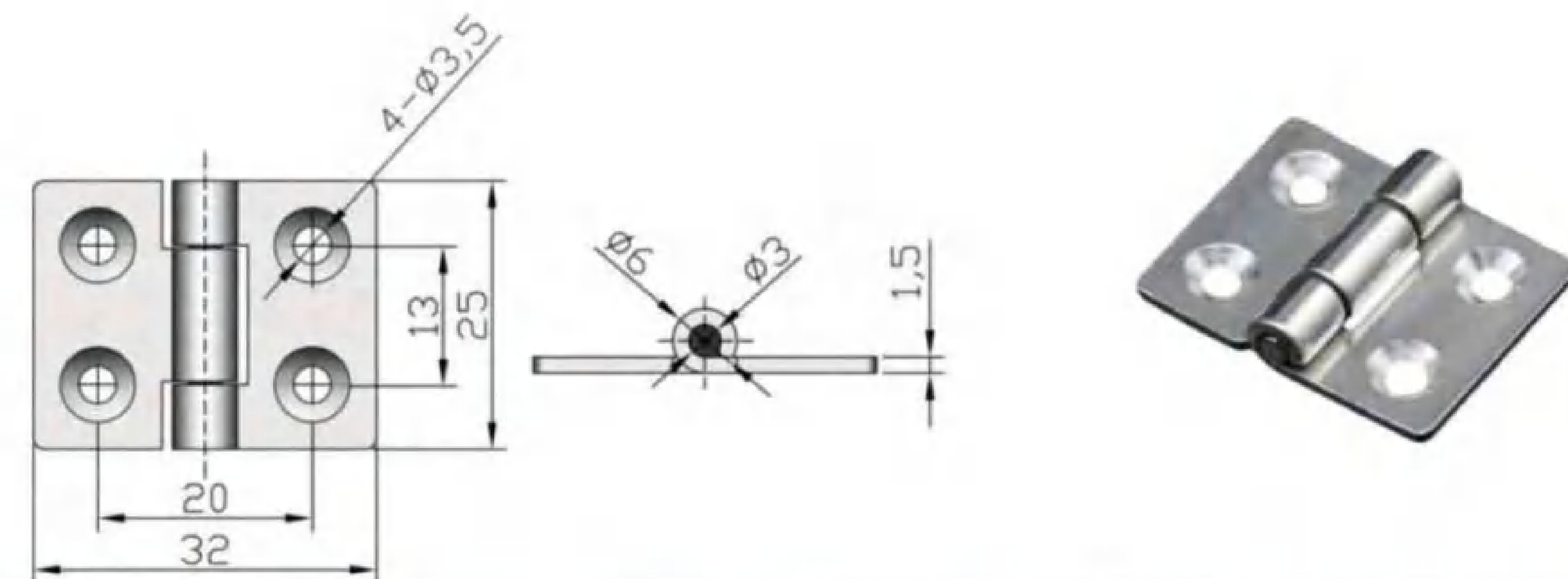
型号 Code	材质 Material	表面处理 Surface treatment	转动角度 Rotation angle	备注 Remarks
ALS125	304S.S	镜面抛光/拉丝抛光 Mirror polish/Wire drawing polish	180°	SSK18-52



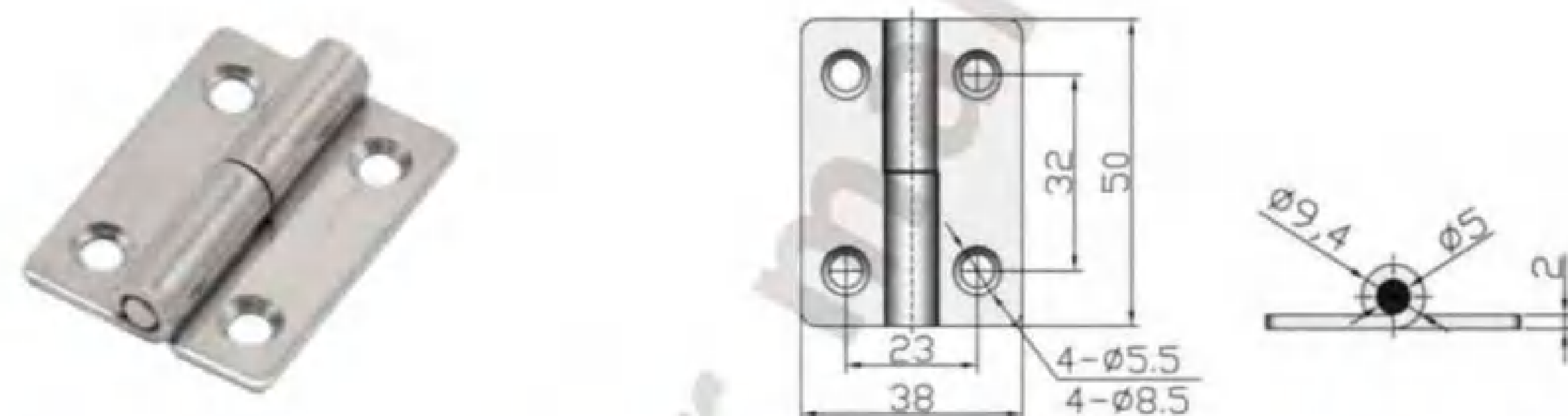
型号 Code	材质 Material	表面处理 Surface treatment	转动角度 Rotation angle	备注 Remarks
ALS140-L	304S.S	镜面抛光/拉丝抛光 Mirror polish/Wire drawing polish/Vibration grinding	180°	CL253-9
ALS140-R	304S.S	镜面抛光/拉丝抛光 Mirror polish/Wire drawing polish/Vibration grinding	180°	CL253-9



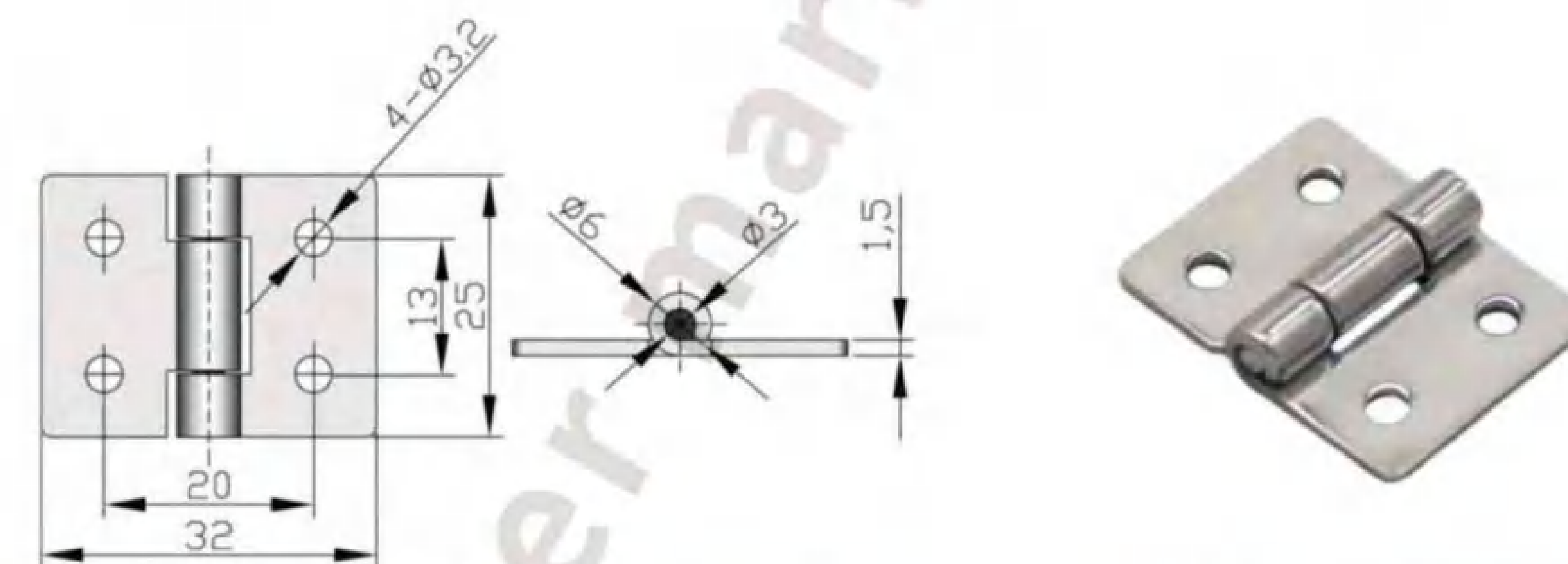
型号 Code	材质 Material	表面处理 Surface treatment	转动角度 Rotation angle	备注 Remarks
ALS141-L	304S.S	镜面抛光/拉丝抛光 Mirror polish/Wire drawing polish/Vibration grinding	180°	左
ALS141-R	304S.S	镜面抛光/拉丝抛光 Mirror polish/Wire drawing polish/Vibration grinding	180°	右



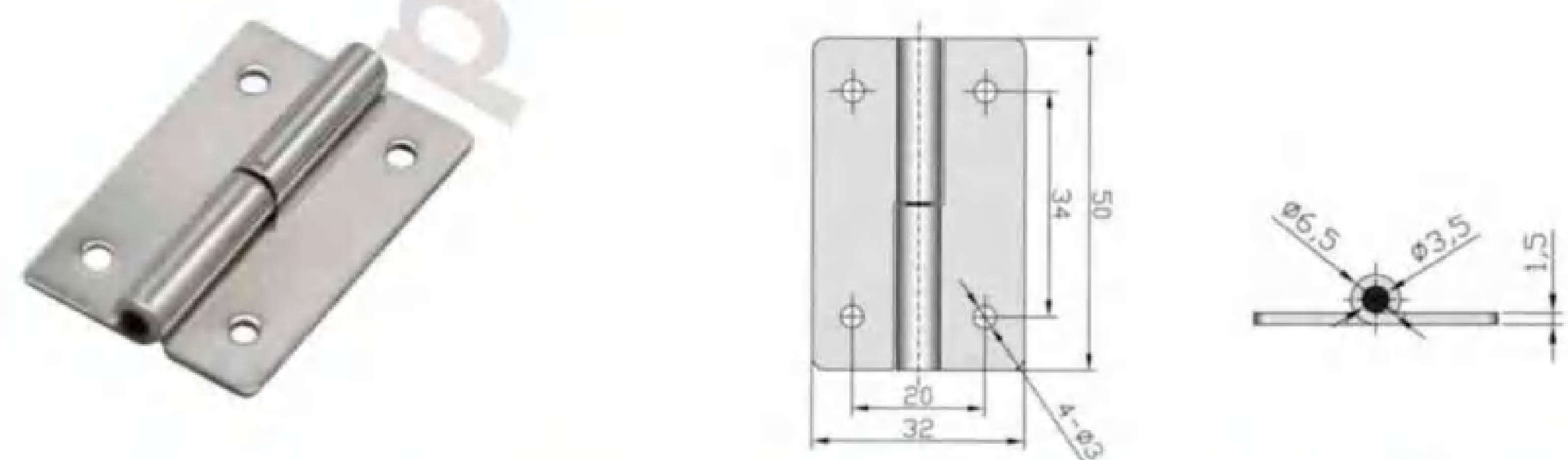
型号 Code	材质 Material	表面处理 Surface treatment	转动角度 Rotation angle	备注 Remarks
ALS144	304S.S	镜面抛光/拉丝抛光 Mirror polish/Wire drawing polish/Vibration grinding	180°	



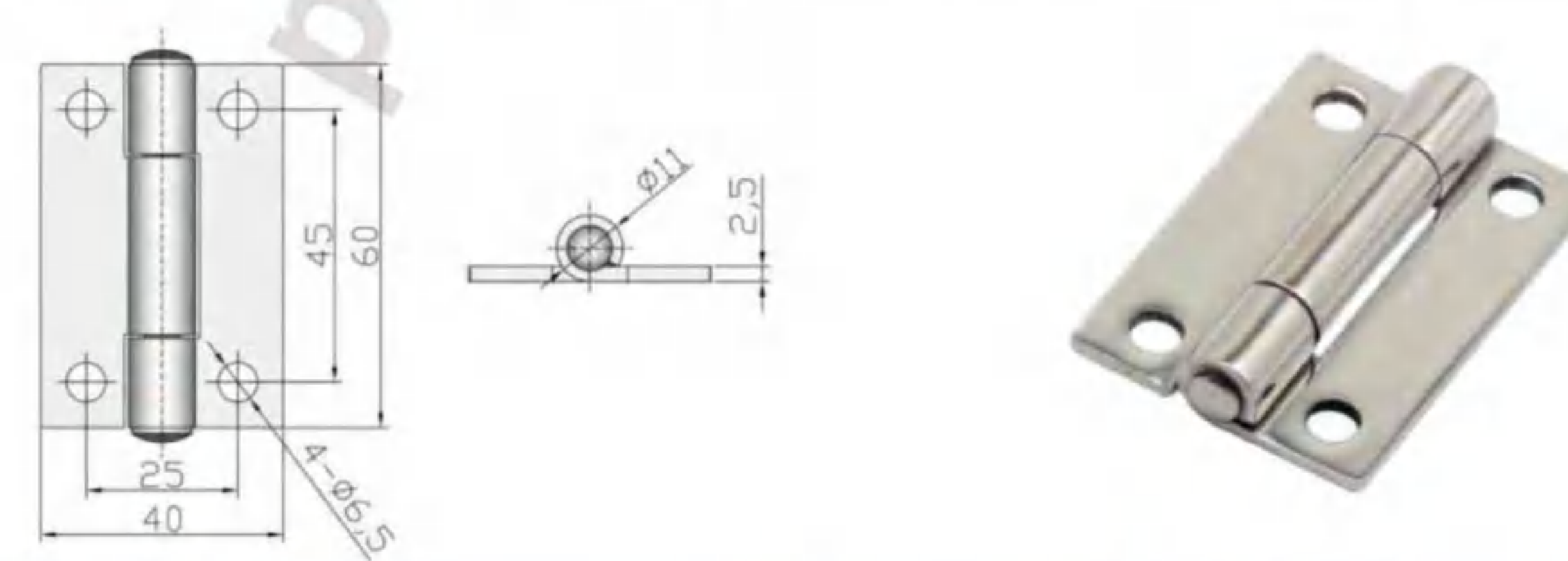
型号 Code	材质 Material	表面处理 Surface treatment	转动角度 Rotation angle	备注 Remarks
ALS142-L	304S.S	镜面抛光/拉丝抛光 Mirror polish/Wire drawing polish/Vibration grinding	180°	左
ALS142-R	304S.S	镜面抛光/拉丝抛光 Mirror polish/Wire drawing polish/Vibration grinding	180°	右



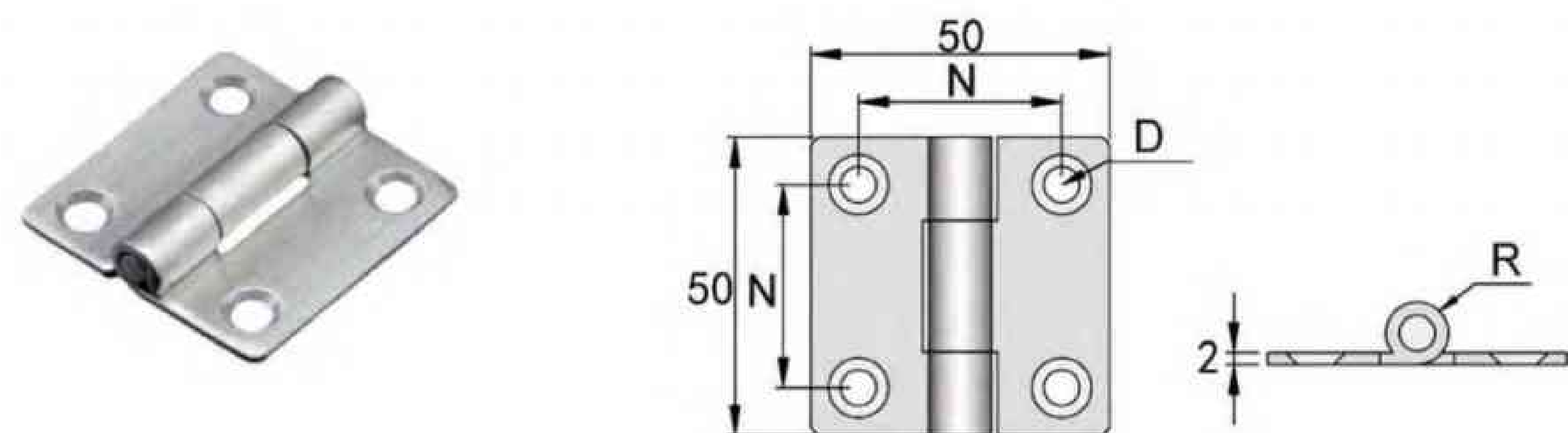
型号 Code	材质 Material	表面处理 Surface treatment	转动角度 Rotation angle	备注 Remarks
ALS144	304S.S	镜面抛光/拉丝抛光 Mirror polish/Wire drawing polish/Vibration grinding	180°	



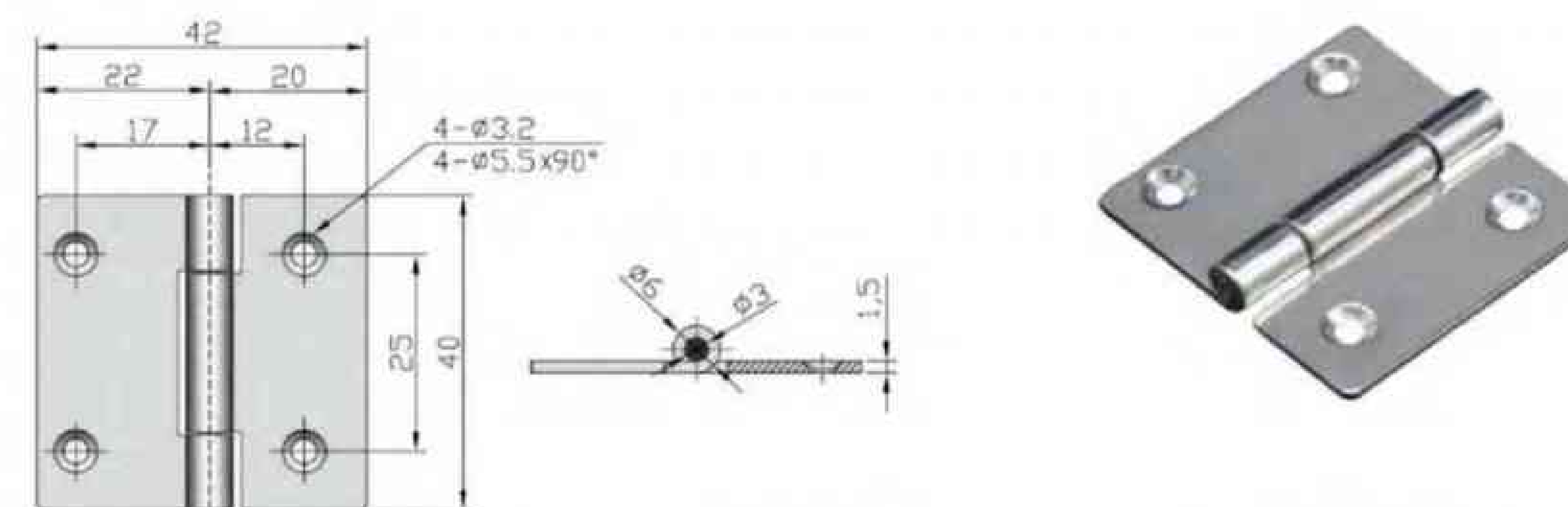
型号 Code	材质 Material	表面处理 Surface treatment	转动角度 Rotation angle	备注 Remarks
ALS143-L	304S.S	镜面抛光/拉丝抛光 Mirror polish/Wire drawing polish/Vibration grinding	180°	CL253-1
ALS143-R	304S.S	镜面抛光/拉丝抛光 Mirror polish/Wire drawing polish/Vibration grinding	180°	CL253-1



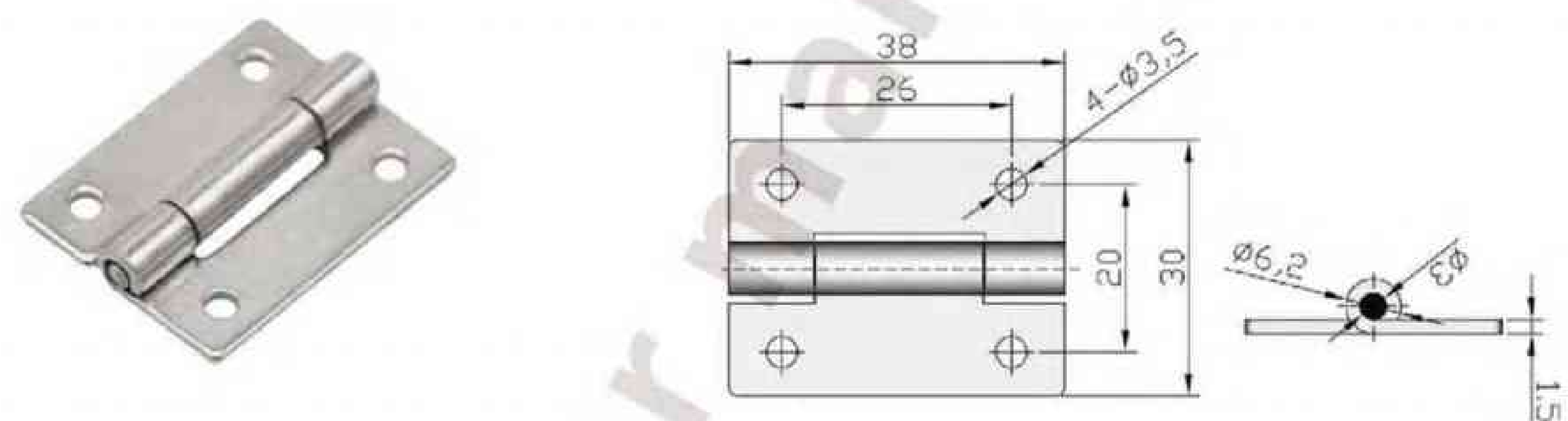
型号 Code	材质 Material	表面处理 Surface treatment	转动角度 Rotation angle	备注 Remarks
ALS144	304S.S	镜面抛光/拉丝抛光 Mirror polish/Wire drawing polish/Vibration grinding	180°	CL140



型号 Code	材质 Material	表面处理 Surface treatment	转动角度 Rotation angle	N	D	R	备注 Remarks
ALS147-30	304S.S	镜面抛光/拉丝抛光/振动研磨 Mirror polish/Wire drawing polish/ Vibration grinding	180°	30	6.4	10.2	CL113
ALS147-34	201S.S			34			



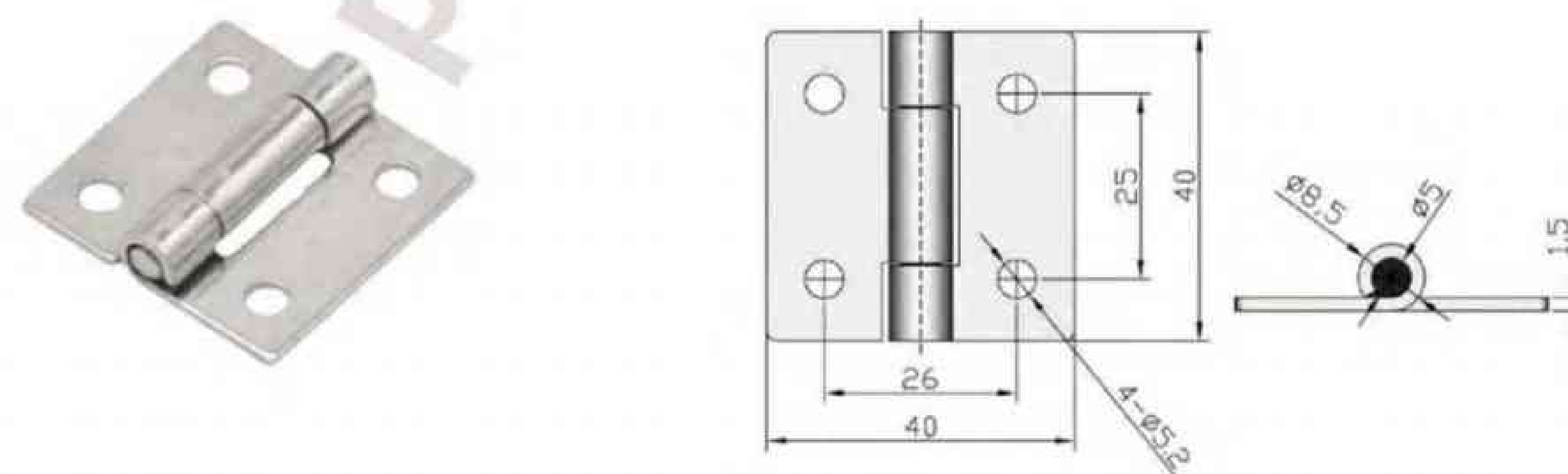
型号 Code	材质 Material	表面处理 Surface treatment	转动角度 Rotation angle	备注 Remarks
ALS150	304S.S	镜面抛光/拉丝抛光 Mirror polish/Wire drawing polish/Vibration grinding	180°	CL253-3 2-2



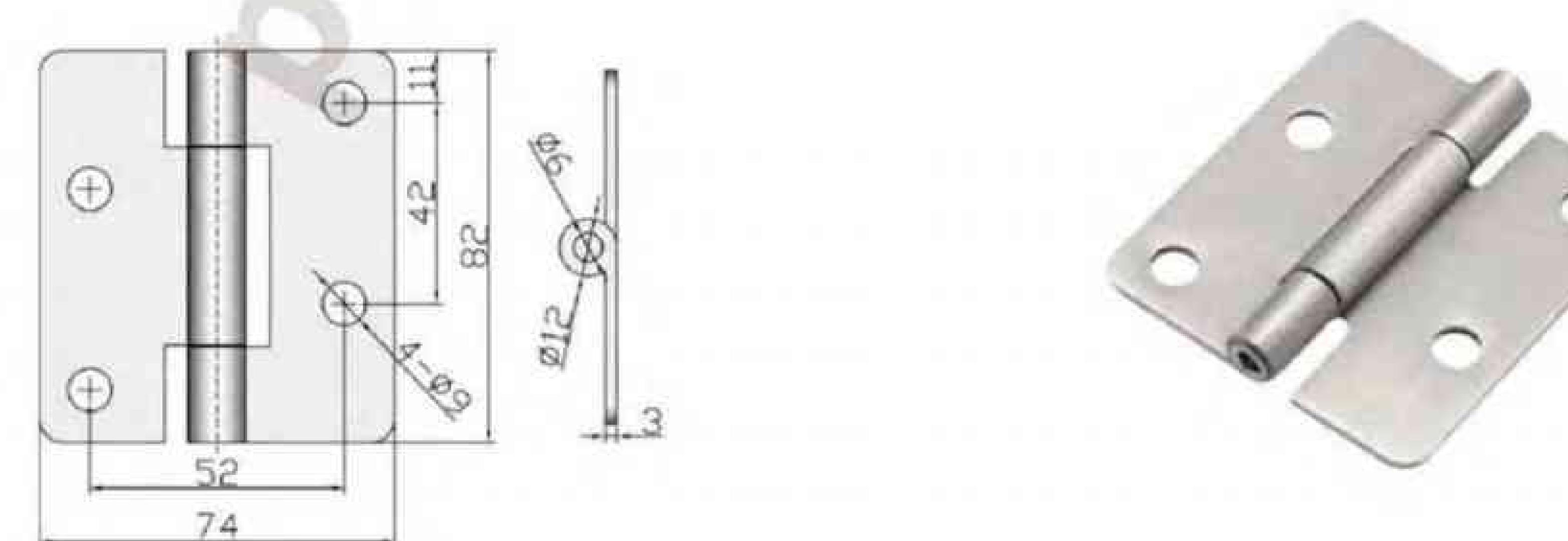
型号 Code	材质 Material	表面处理 Surface treatment	转动角度 Rotation angle	备注 Remarks
ALS148	304S.S	镜面抛光/拉丝抛光 Mirror polish/Wire drawing polish/Vibration grinding	180°	CL253-19



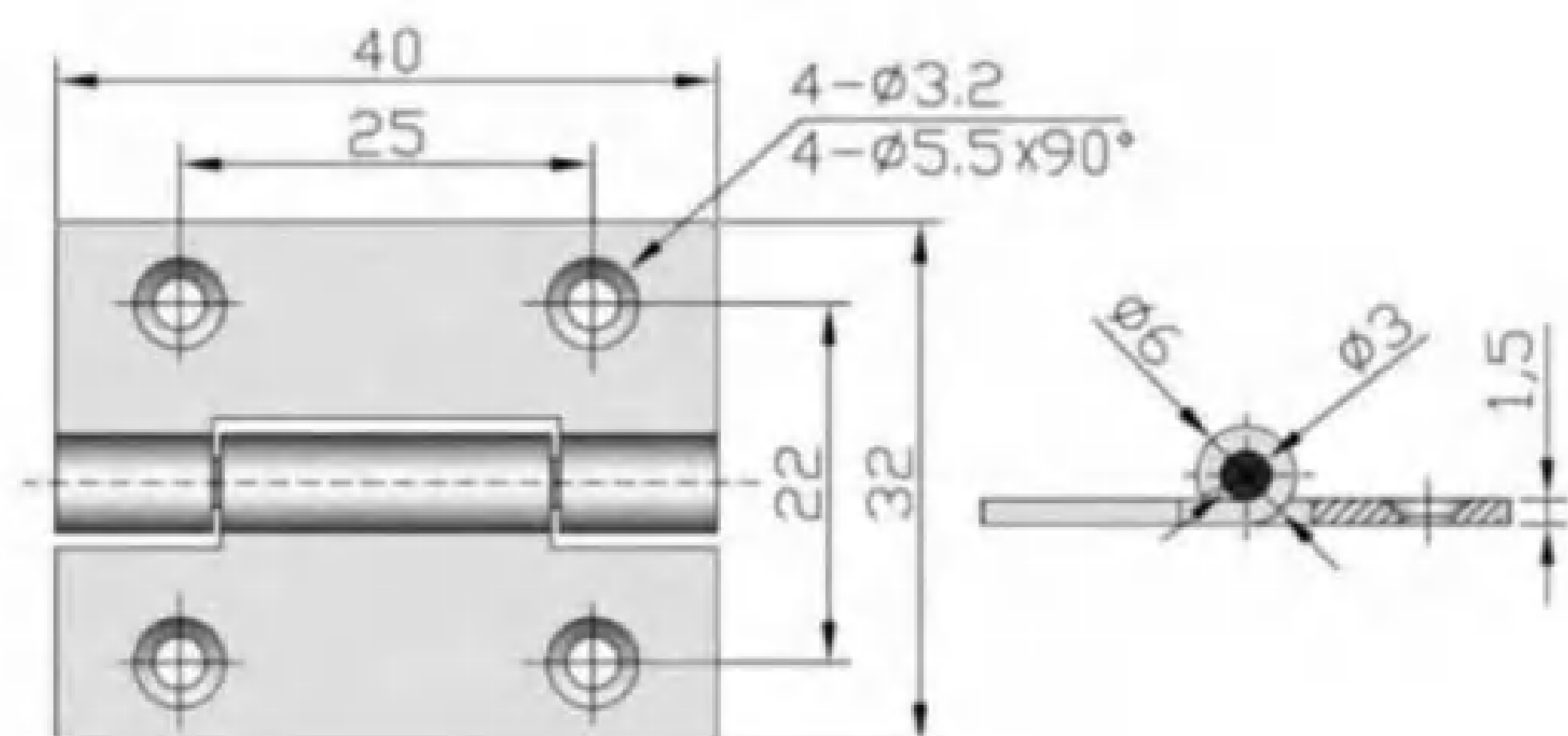
型号 Code	材质 Material	表面处理 Surface treatment	转动角度 Rotation angle	备注 Remarks
ALS151	304S.S	镜面抛光/拉丝抛光 Mirror polish/Wire drawing polish/Vibration grinding	180°	CL114



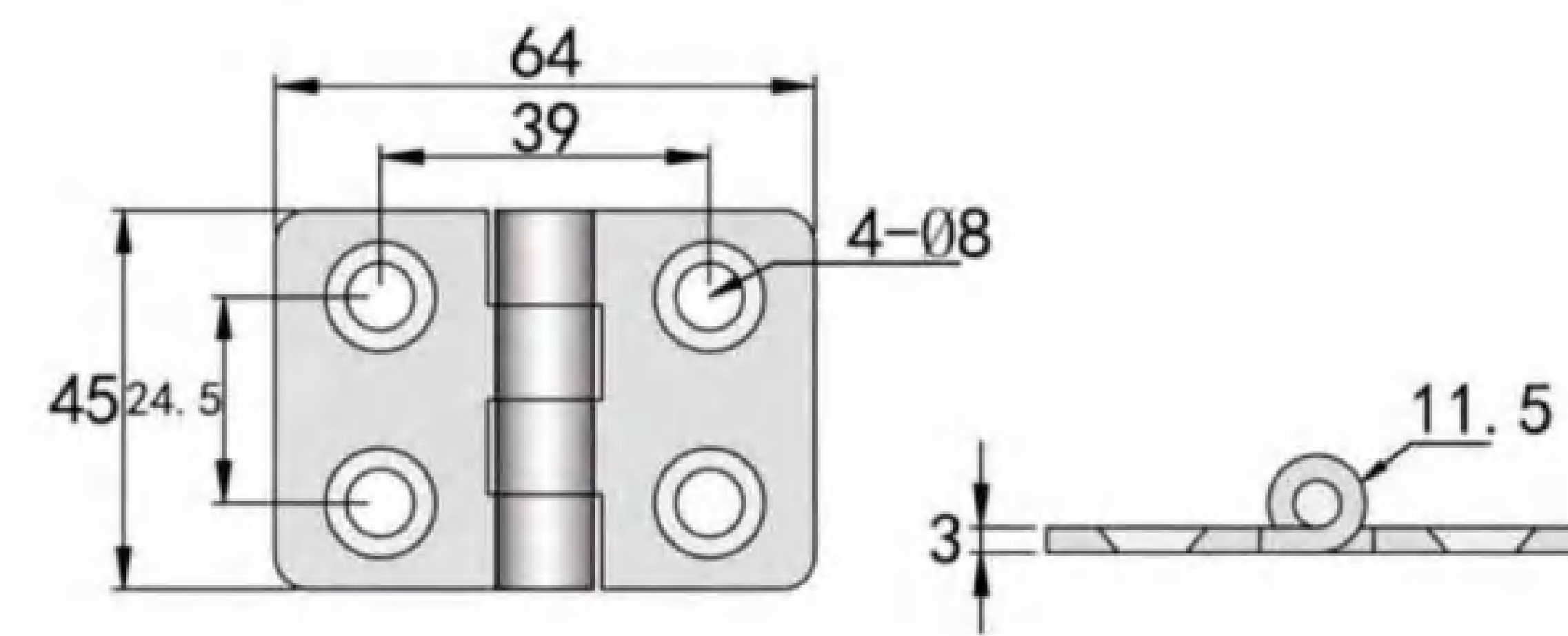
型号 Code	材质 Material	表面处理 Surface treatment	转动角度 Rotation angle	备注 Remarks
ALS149	304S.S	镜面抛光/拉丝抛光 Mirror polish/Wire drawing polish/Vibration grinding	180°	



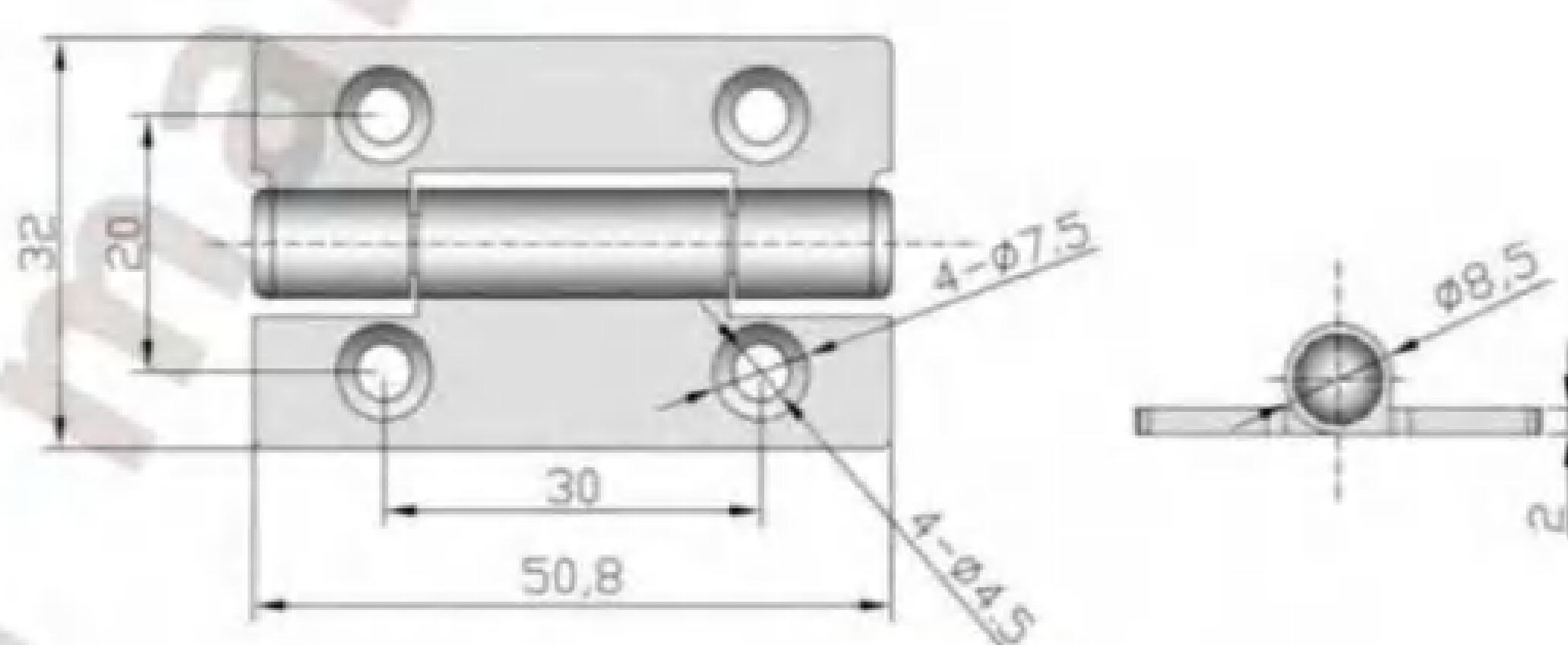
型号 Code	材质 Material	表面处理 Surface treatment	转动角度 Rotation angle	备注 Remarks
ALS152	304S.S	镜面抛光/拉丝抛光 Mirror polish/Wire drawing polish/Vibration grinding	180°	



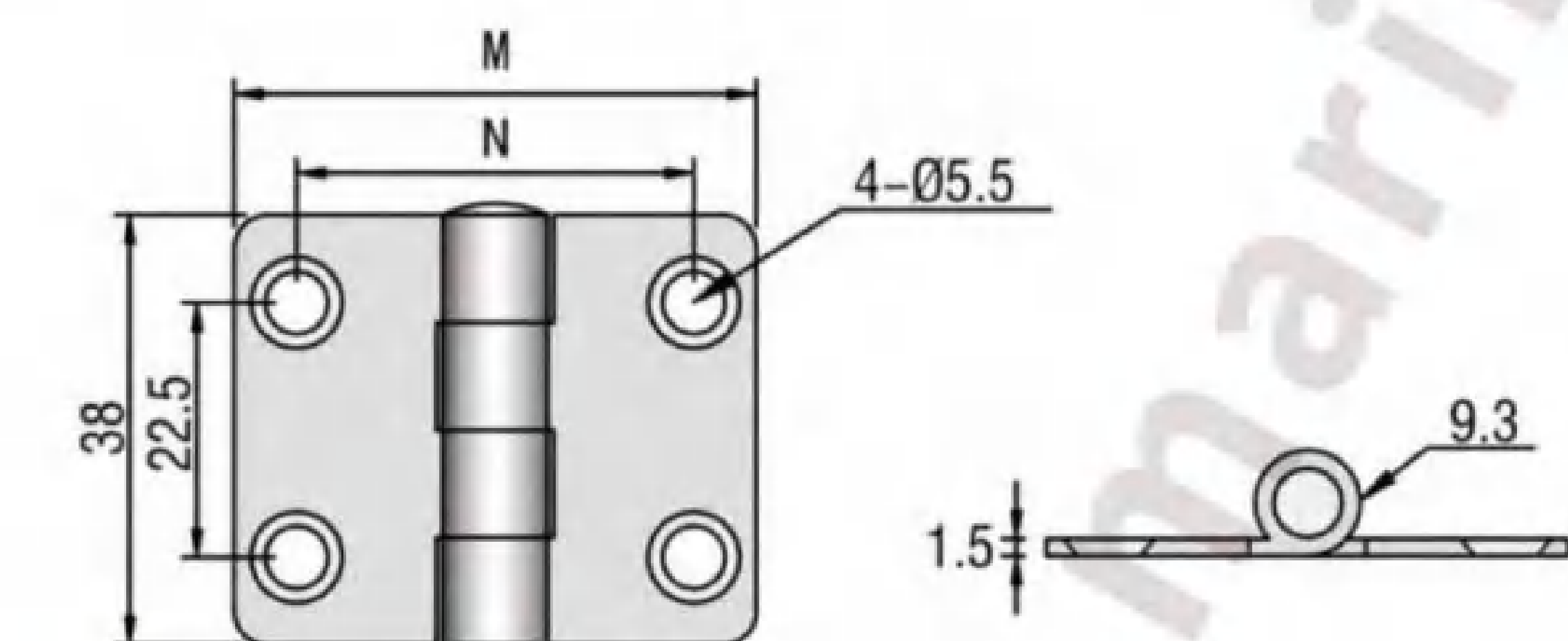
型号 Code	材质 Material	表面处理 Surface treatment	转动角度 Rotation angle	备注 Remarks
ALS153	304S.S	镜面抛光/拉丝抛光 Mirror polish/Wire drawing polish/Vibration grinding	180°	CL253-32



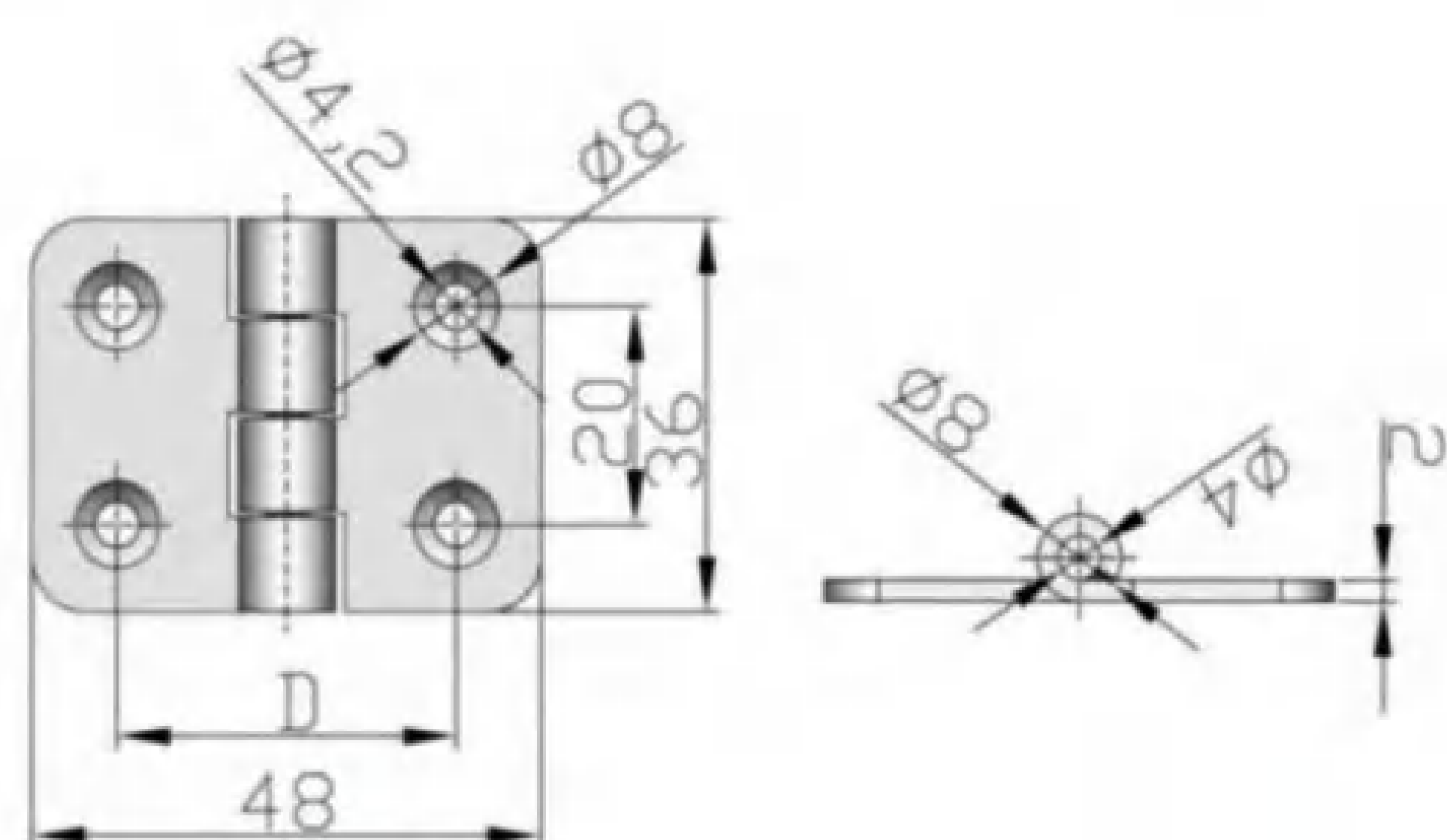
型号 Code	材质 Material	表面处理 Surface treatment	转动角度 Rotation angle	备注 Remarks
ALS156-Z	304S.S	振动研磨/Vibration grinding	180°	
ALS156-D	304S.S	镀锌/Galvanized steel		



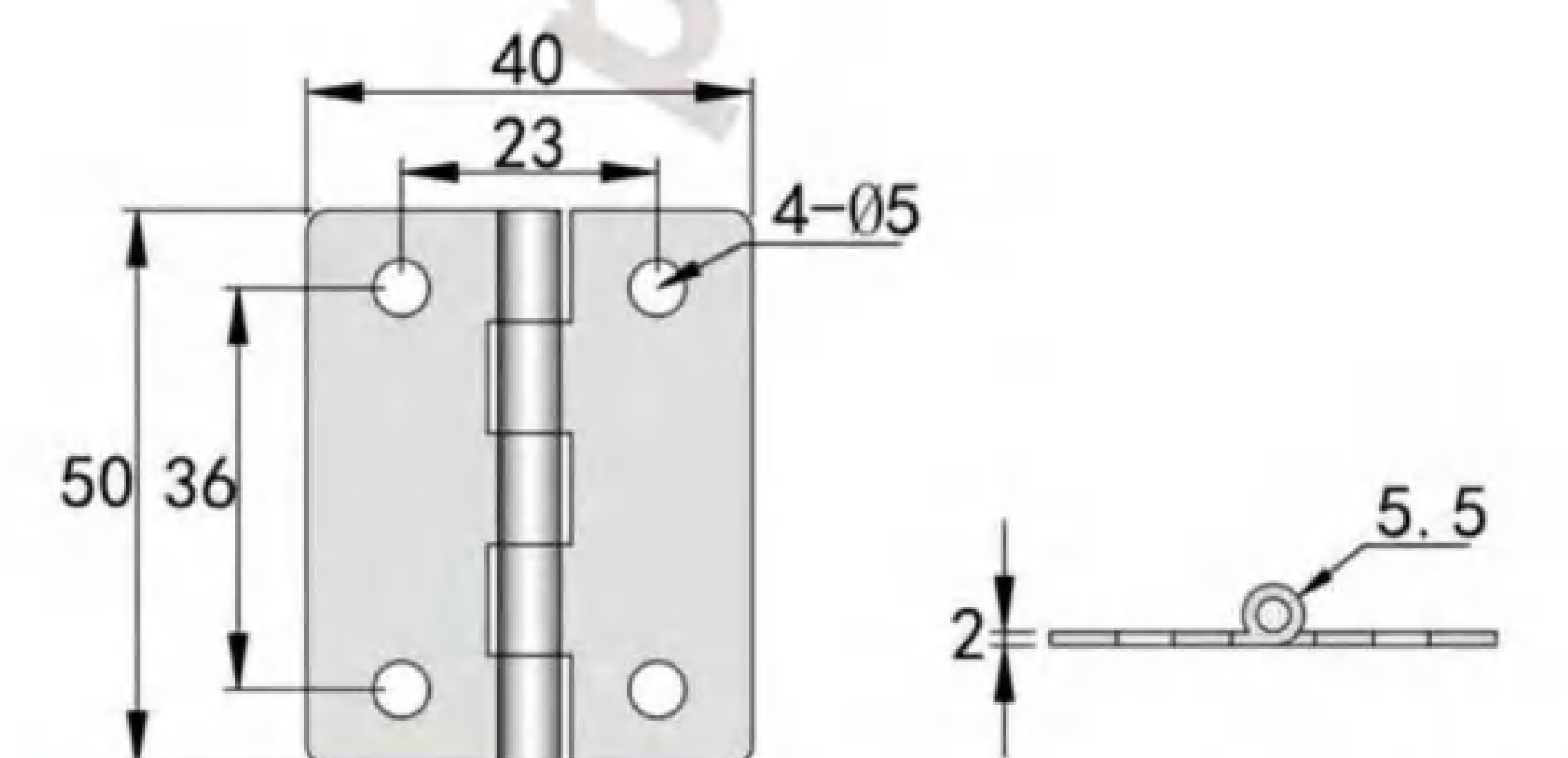
型号 Code	材质 Material	表面处理 Surface treatment	转动角度 Rotation angle	备注 Remarks
ALS154	304S.S	镜面抛光/拉丝抛光 Mirror polish/Wire drawing polish/Vibration grinding	180°	CL152



型号 Code	材质 Material	表面处理 Surface treatment	M	N	转动角度 Rotation angle	备注 Remarks
ALS157-35	304S.S	镜面抛光/拉丝抛光/振动研磨 Mirror polish/Wire drawing polish/Vibration grinding	46	35	180°	
ALS157-35	304S.S		59	45	180°	



型号 Code	材质 Material	表面处理 Surface treatment	D	备注 Remarks
ALS155-32	304S.S	镜面抛光/拉丝抛光 Mirror polish/Wire drawing polish/Vibration grinding	32	CL077-1
ALS155-36	304S.S		36	CL077-2/SSK21-36

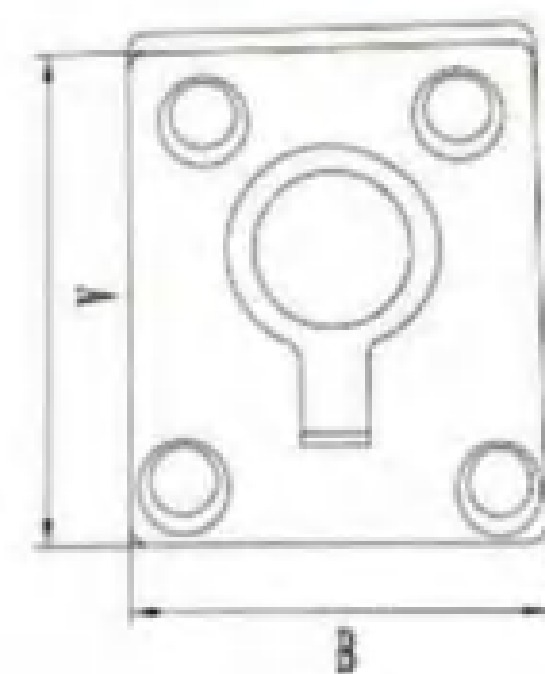


型号 Code	材质 Material	表面处理 Surface treatment	转动角度 Rotation angle	备注 Remarks
ALS156-Z	304S.S	振动研磨/Vibration grinding	180°	
ALS156-D	碳钢/Carbon steel	镀锌/Galvanized steel	180°	



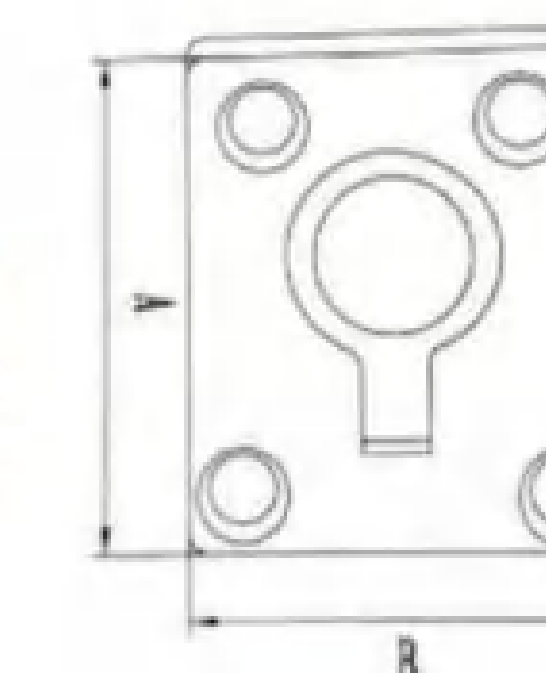
PULL RINGS

AISI316 STAINLESS STEEL SQUARE FLUSH LIFT RING
316不锈钢地板拉环



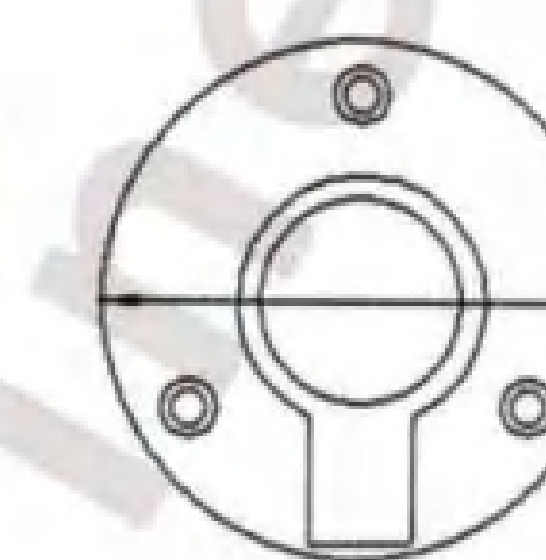
Code	A mm	B mm
ALS4038A	48	38

AISI316 STAINLESS STEEL SQUARE FLUSH LIFT RING
316不锈钢地板拉环



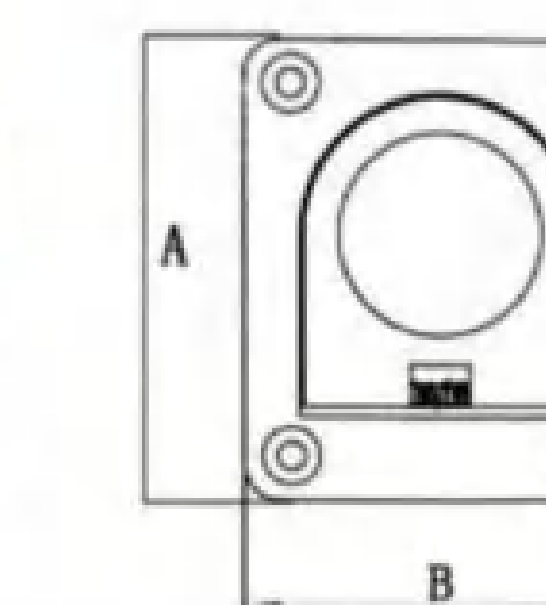
Code	A mm	B mm
ALS6244B	62	44

AISI316 STAINLESS STEEL ROUND FLUSH LIFT RING
316不锈钢圆形地板拉环



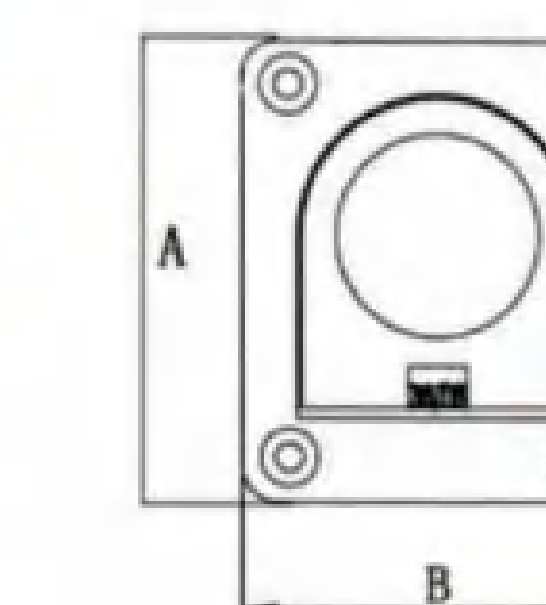
Code	D mm
ALS0505A	50

AISI316 STAINLESS STEEL STAMPING SQUARE FLUSH LIFT RING WITH SPRING
316不锈钢冲压地板拉环



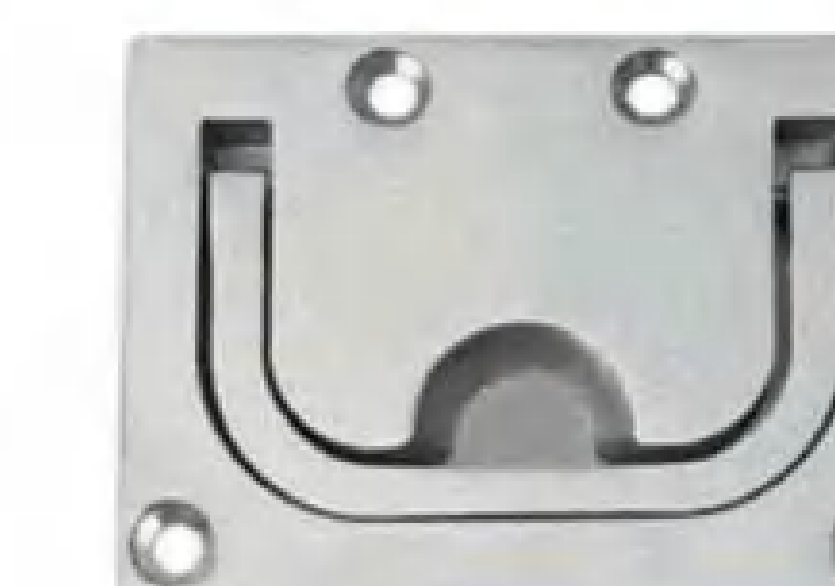
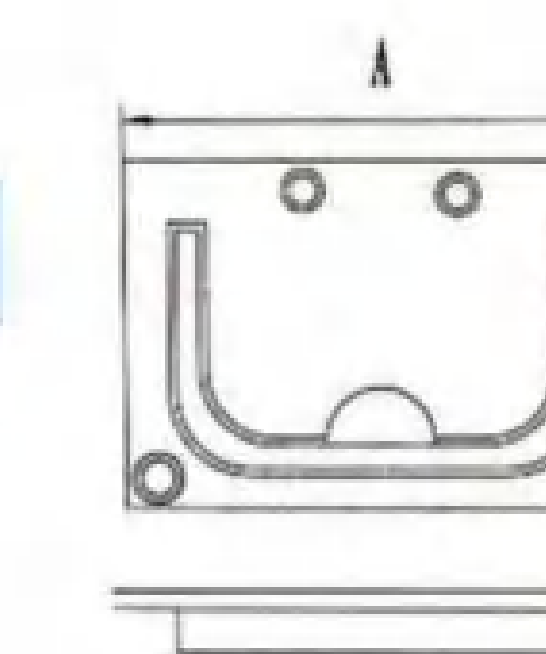
Code	A mm	B mm
ALS4438A	44	38
ALS6555B	65	55

AISI316 STAINLESS STEEL HEAVY SQUARE FLUSH LIFT RING WITH SPRING
316不锈钢重型地板拉环



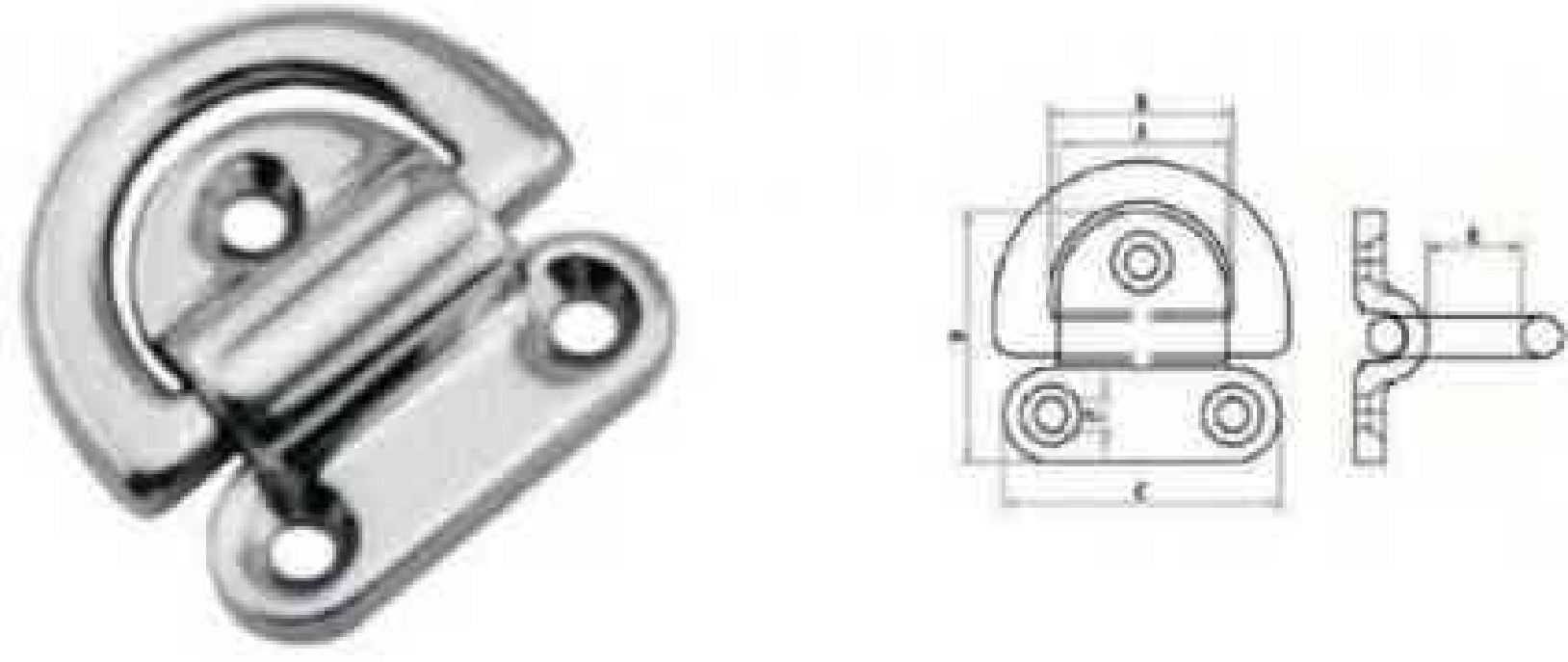
Code	A mm	B mm
ALS4538A	45	38
ALS6656B	66	56

AISI316 STAINLESS STEEL SQUARE FLUSH LIFT RING
316不锈钢方形地板拉环



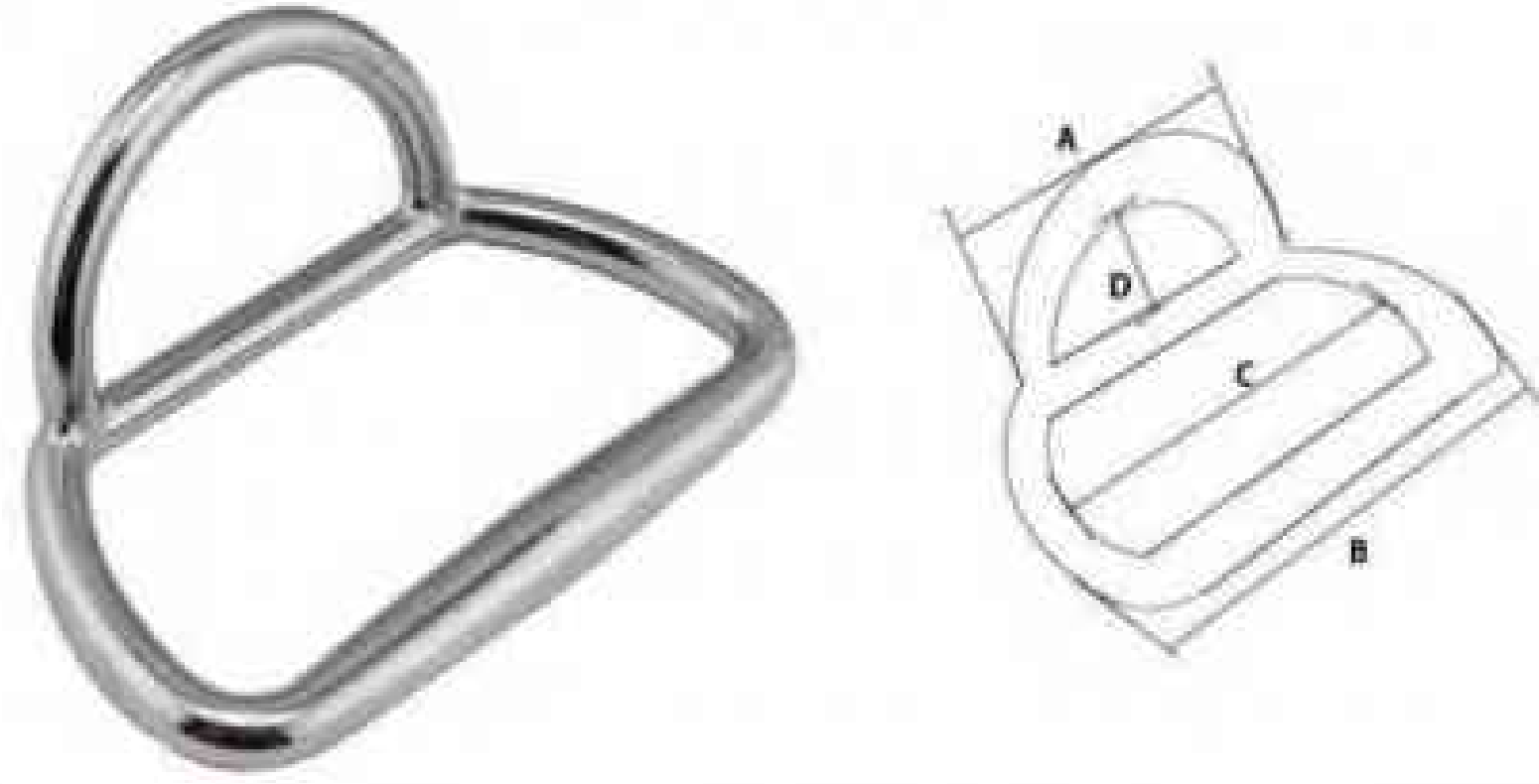
Code	A mm	B mm
ALS7658A	76	58

AISI316 STAINLESS STEEL FLUSH LIFT RING
316不锈钢方D型拉环



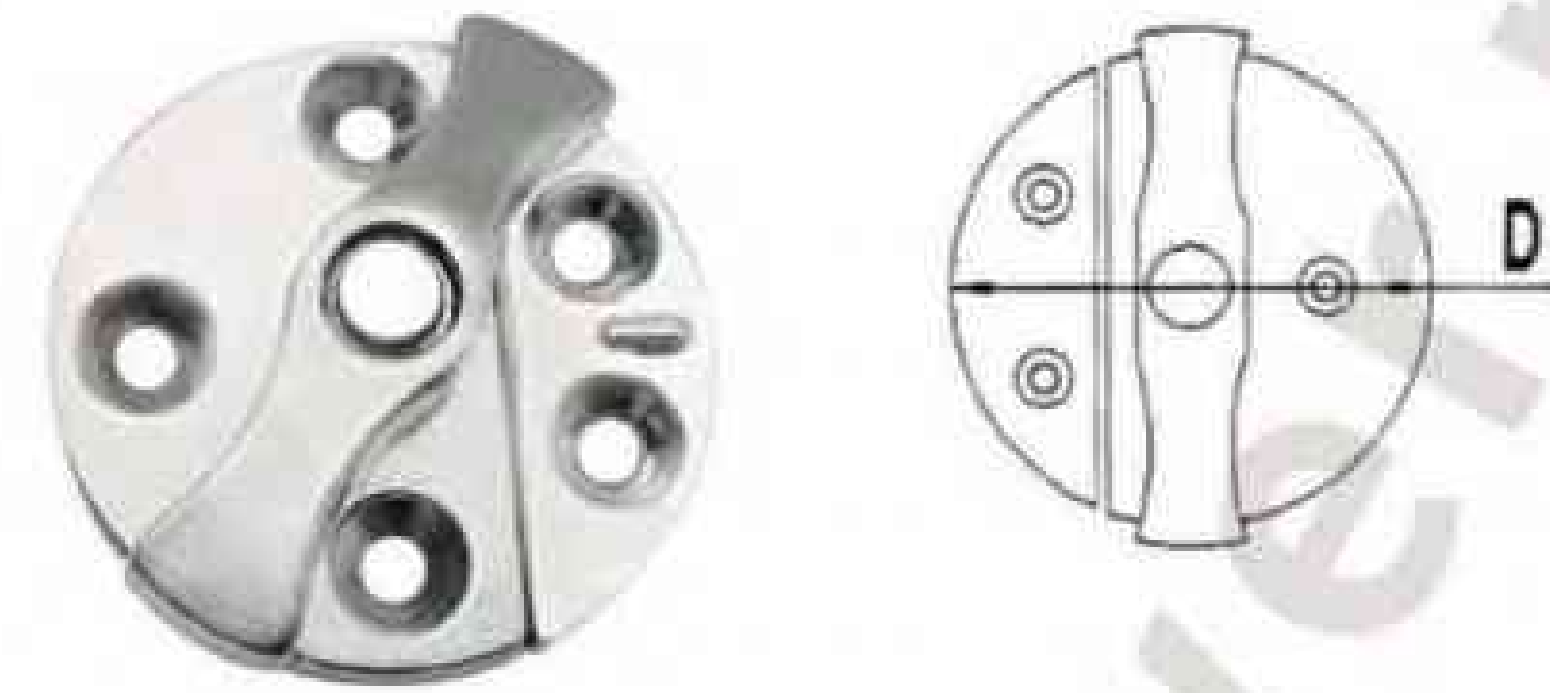
Code	A mm	Bmm	Cmm	Dmm
ALS19006A	27	29	44	40
ALS19008B	34	36	55	49.5
ALS19010C	44	47.5	70	65

AISI316 STAINLESS STEEL PULL HANDLE LASHING FLUSH D LIFT RING
316不锈钢方拉手捆扎平齐吊环



Code	A mm	Bmm	Cmm	Dmm
ALS19006A	66	106	30	86

AISI316 STAINLESS STEEL DOOR BUTTON
316不锈钢门扣



Code	D mm
ALS14450A	45

AISI316 STAINLESS STEEL DOOR BUTTON
316不锈钢门扣



Code	D mm
ALS14451A	55

Surface Treatment:
Ordinary polish / Mirror polish

AISI316 STAINLESS STEEL LOCKABLE CLAMP LATCH
316不锈钢箱包扣



Code	L1 mm	L2 mm	W1 mm	W2 mm
ALS111238A	112	38	50	50

AISI316 STAINLESS STEEL LOCK LATCH
316不锈钢方形箱包扣

Code	L1 mm	L2 mm	W1 mm	W2 mm
ALS18225A	82.5	25.4	27.8	28



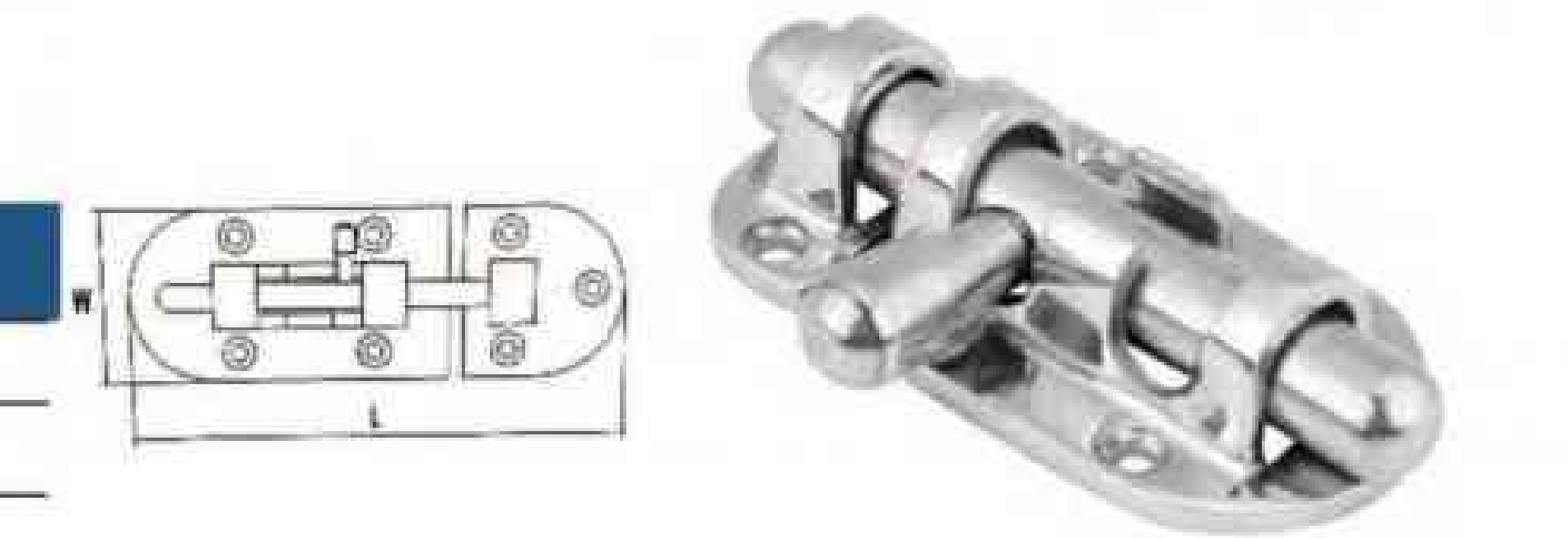
AISI316 STAINLESS STEEL LOCK LATCH
316不锈钢锁扣

Code	L1 mm	L2 mm	W1 mm	W2 mm
ALS18225B	82.5	25.4	27.8	28



AISI316 STAINLESS STEEL LOCK LATCH
316不锈钢锁扣

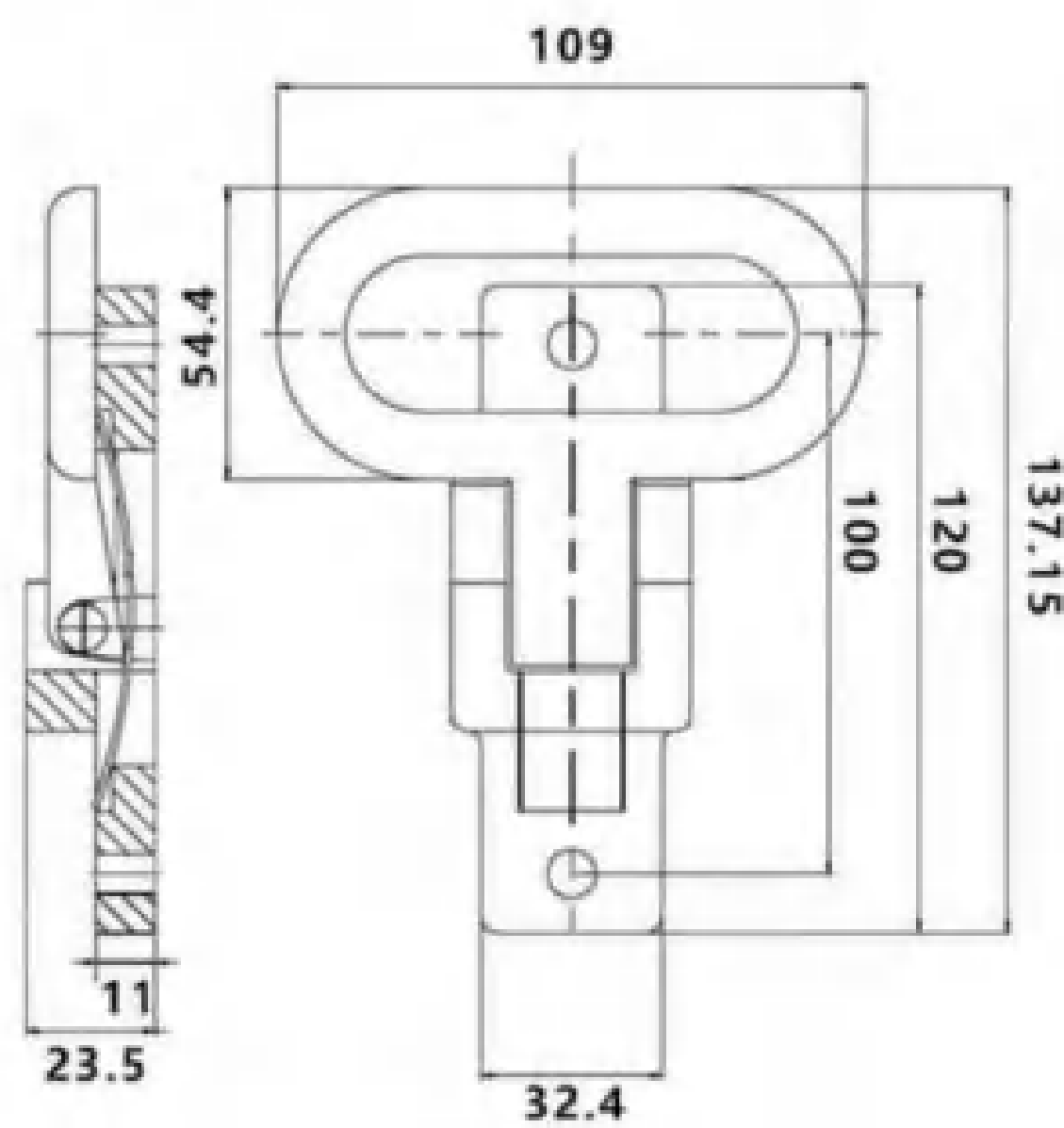
Code	L mm	W mm
ALS19039A	90	39
ALS11039B	110	39





FOLDING STEP

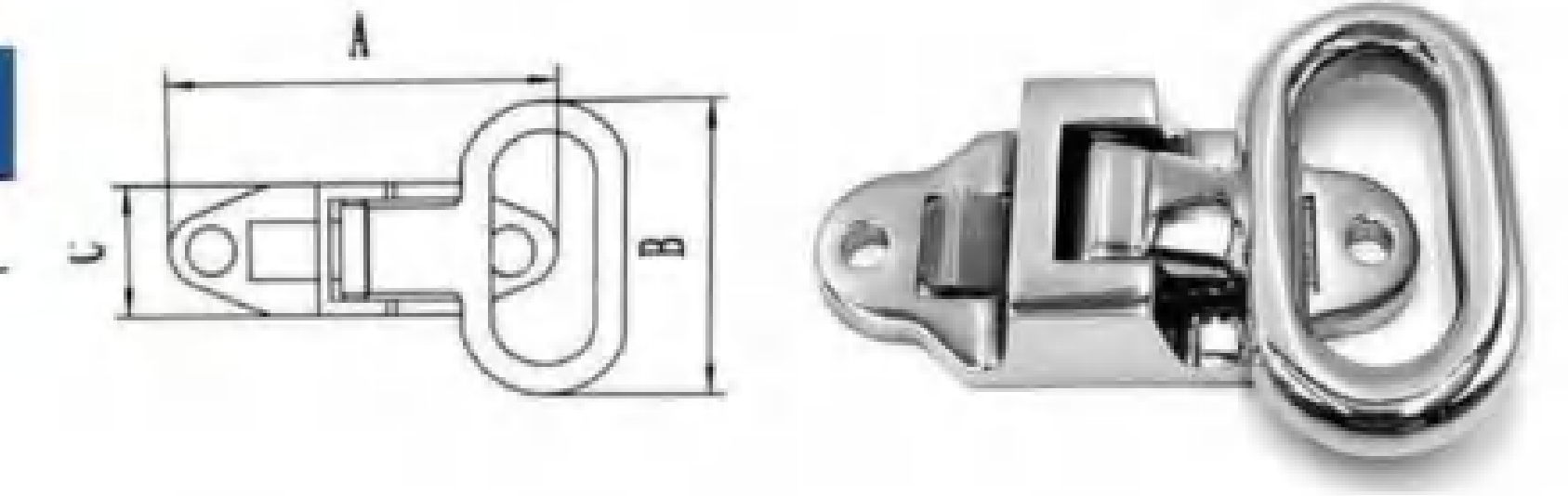
AISI316 STAINLESS STEEL FOLDING STEP
316不锈钢方形马蹄蹬/脚踏



Code	L mm	W mm
ALS12043A	137	109

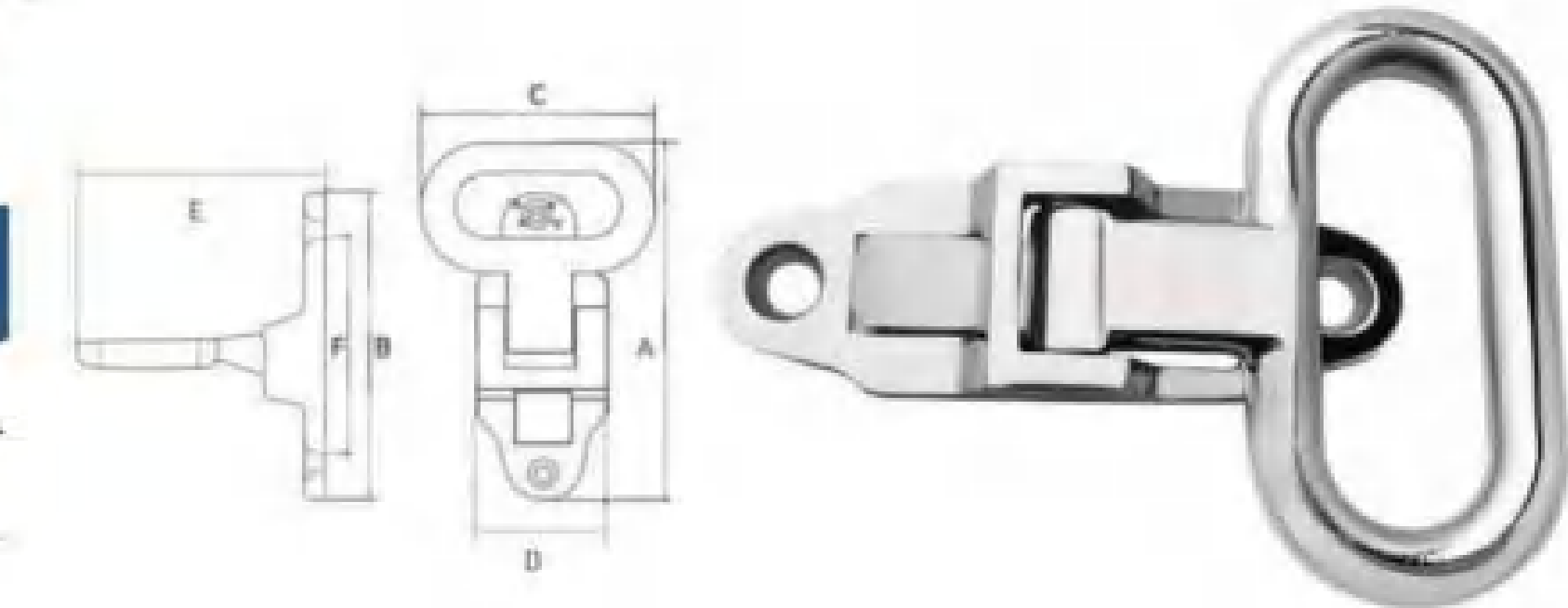
AISI316 STAINLESS STEEL FOLDING STEP
316不锈钢直孔马蹄蹬/脚踏

Code	A mm	B mm	C mm
ALS12548B	125	109	48



AISI316 STAINLESS STEEL FOLDING STEP
316不锈钢沉孔马蹄蹬/脚踏

Code	A mm	B mm	C mm	D mm	E mm	F mm
ALS12580	127	107	81	40	85.5	90
ALS162120	165	140	120	44	112	110



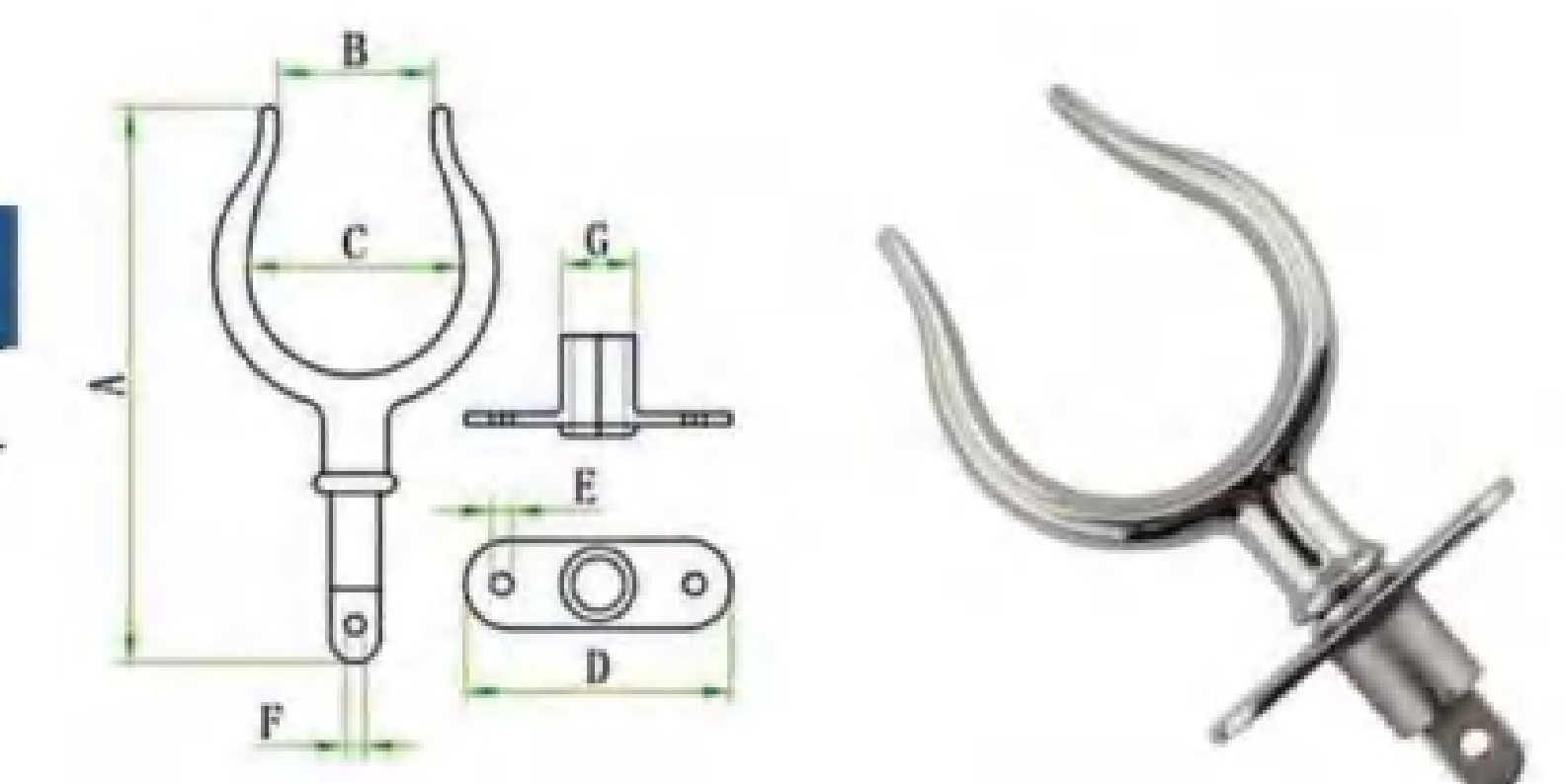
AISI316 STAINLESS STEEL BOAT HOOK
316不锈钢船篙头

Code	A mm	D mm
ALS17034A	170	28
ALS19034A	190	34
ALS19037A	190	37



STAINLESS STEEL ROW LOCK
316不锈钢浆叉

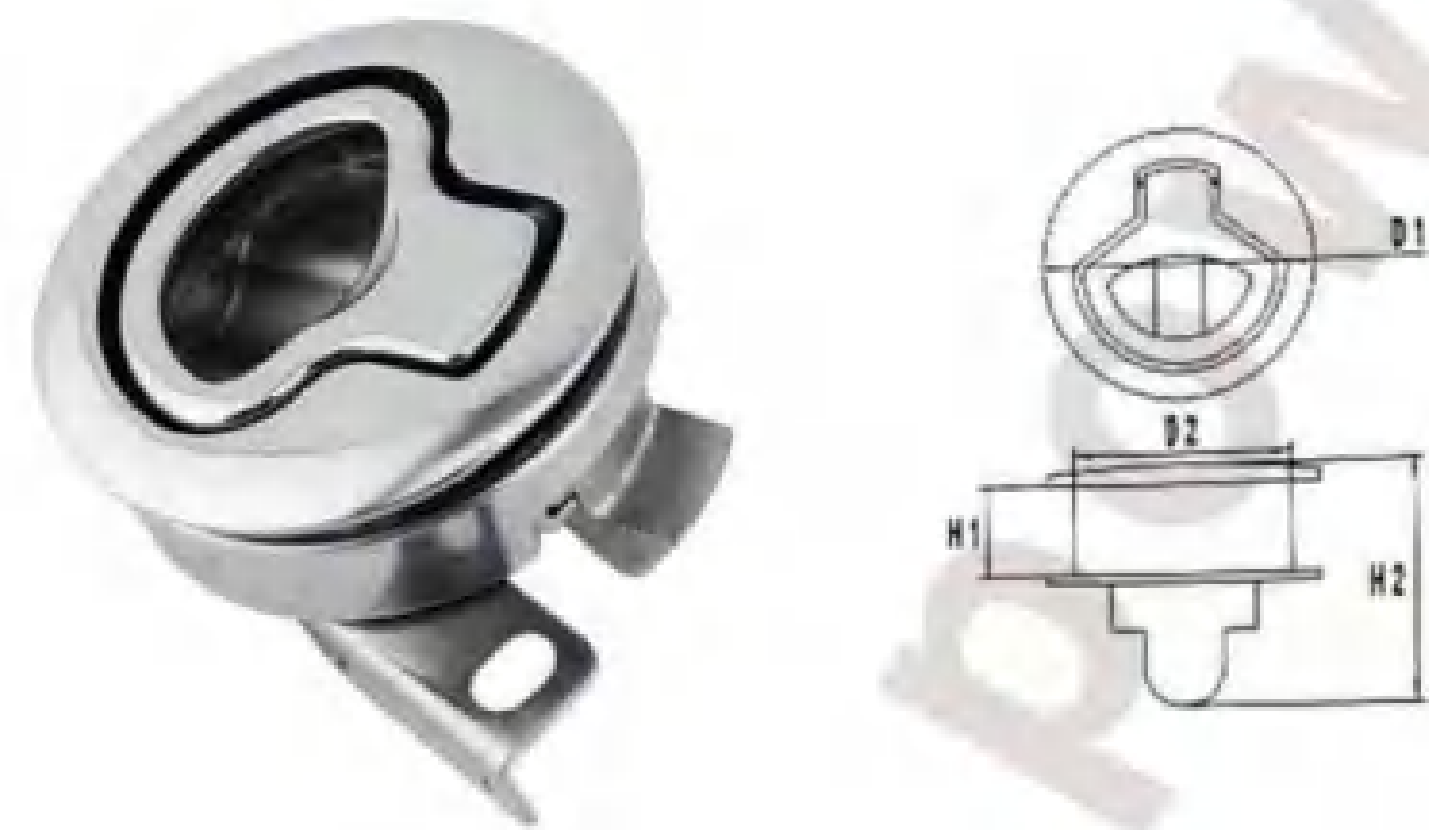
Code	A mm	B mm	C mm	D mm	E mm	G mm
ALS1501-6	150	35	56	70	5.5	19





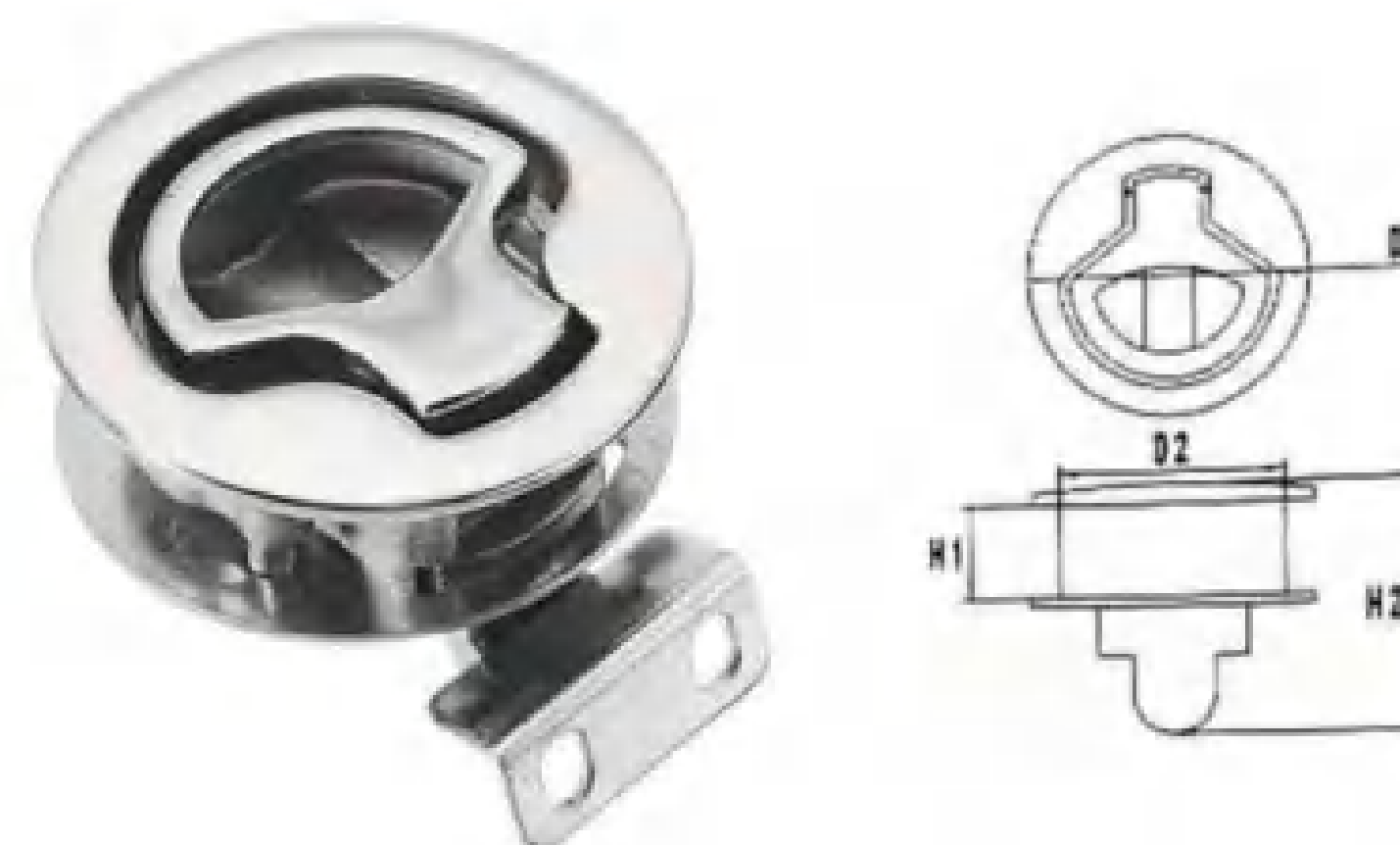
LOCK & LATCH

AISI316 STAINLESS STEEL TURNING LOCK
316不锈钢地板锁/护套款



Code	D1 mm	D2 mm	H1 mm	H2 mm
ALS6250A	62	50.5	11.5	37.4

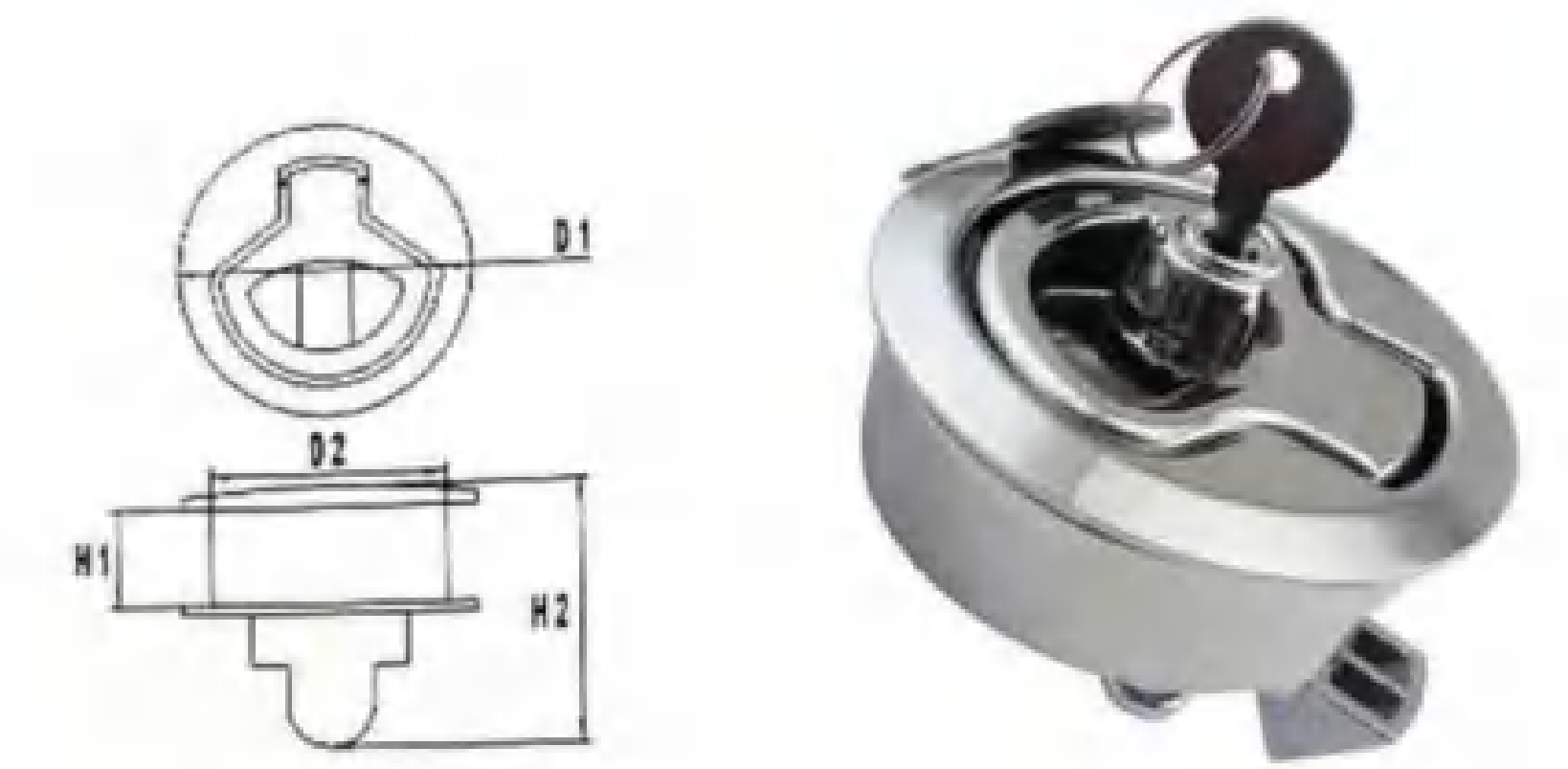
AISI316 STAINLESS STEEL TURNING LOCK
316不锈钢地板锁/护片款



Code	D1 mm	D2 mm	H1 mm	H2 mm
ALS6251A	62	50.5	11.5	37.4

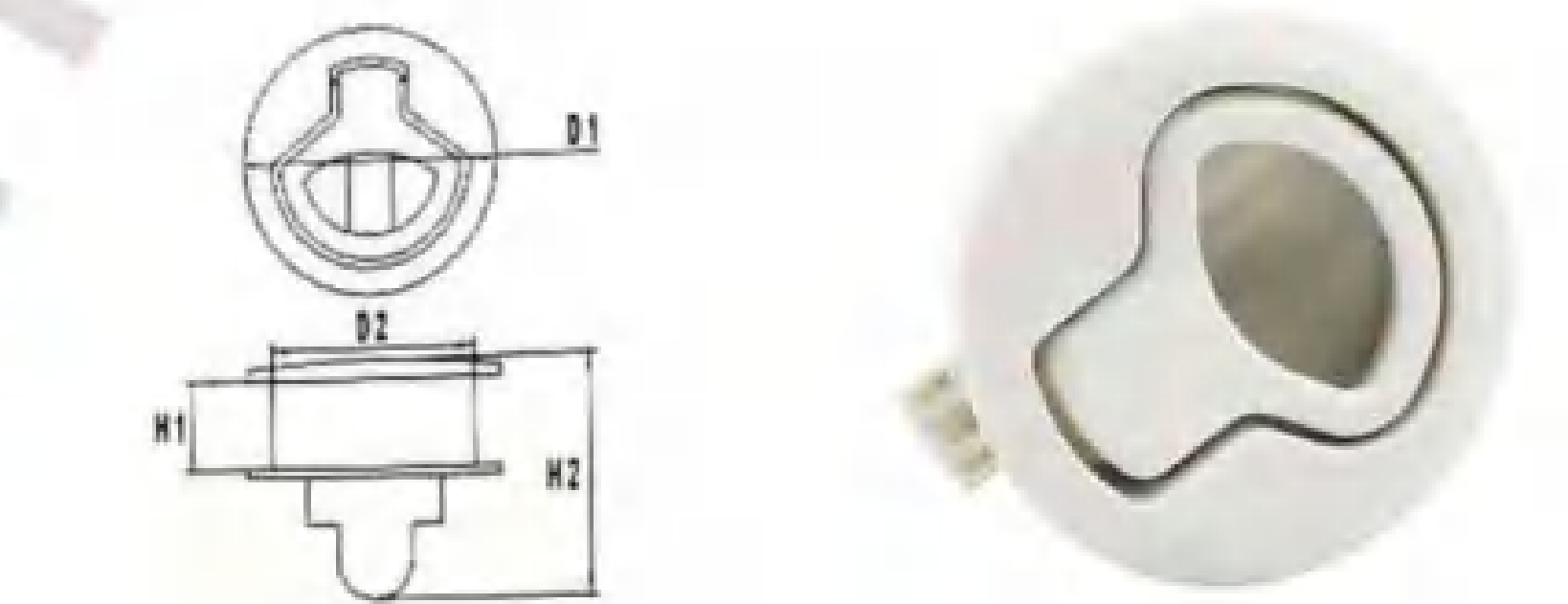
AISI316 STAINLESS STEEL TURNING LOCK WITH KEY
316不锈钢带钥匙地板锁

Code	D1 mm	D2 mm	H1 mm	H2 mm
ALS6250B	62	50.5	11.5	37.4



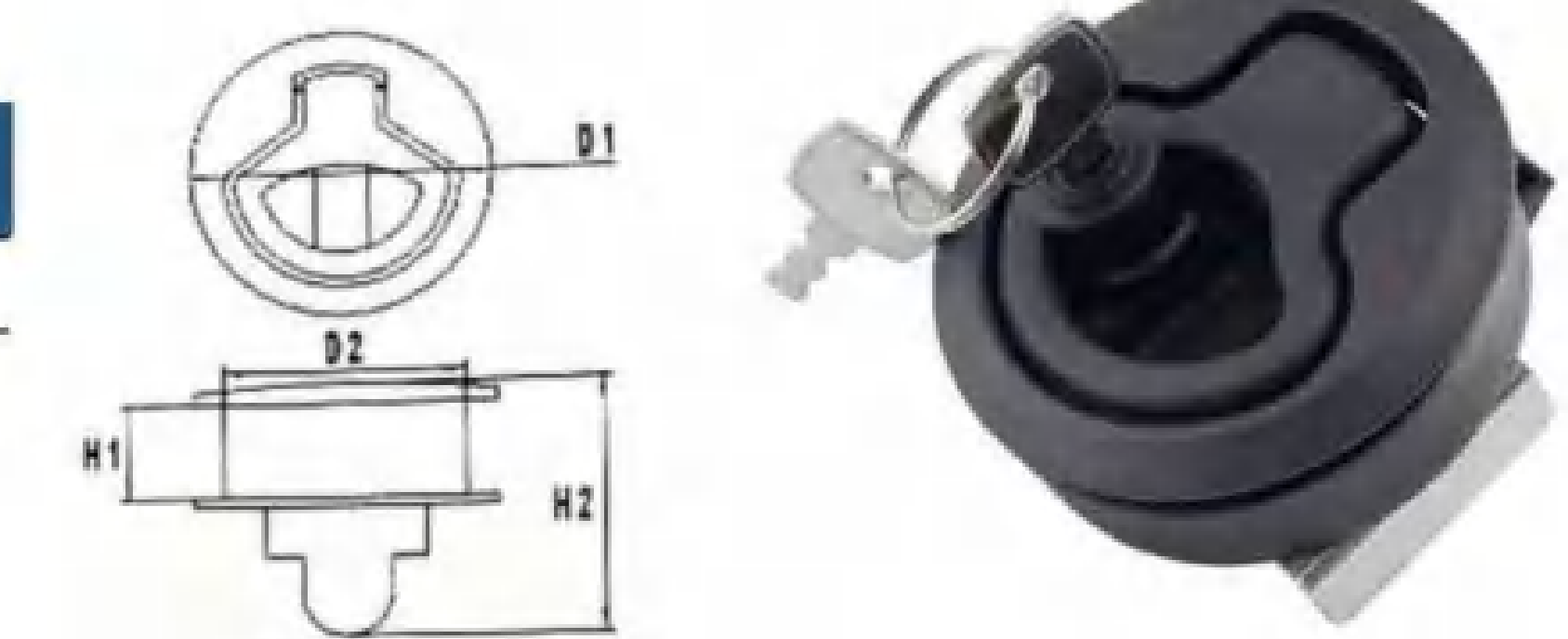
MYLON MATERIAL TURNING LOCK
尼龙地板锁

Code	D1 mm	D2 mm	H1 mm	H2 mm	Color
ALS6253-W	62	50.5	11.5	37.4	



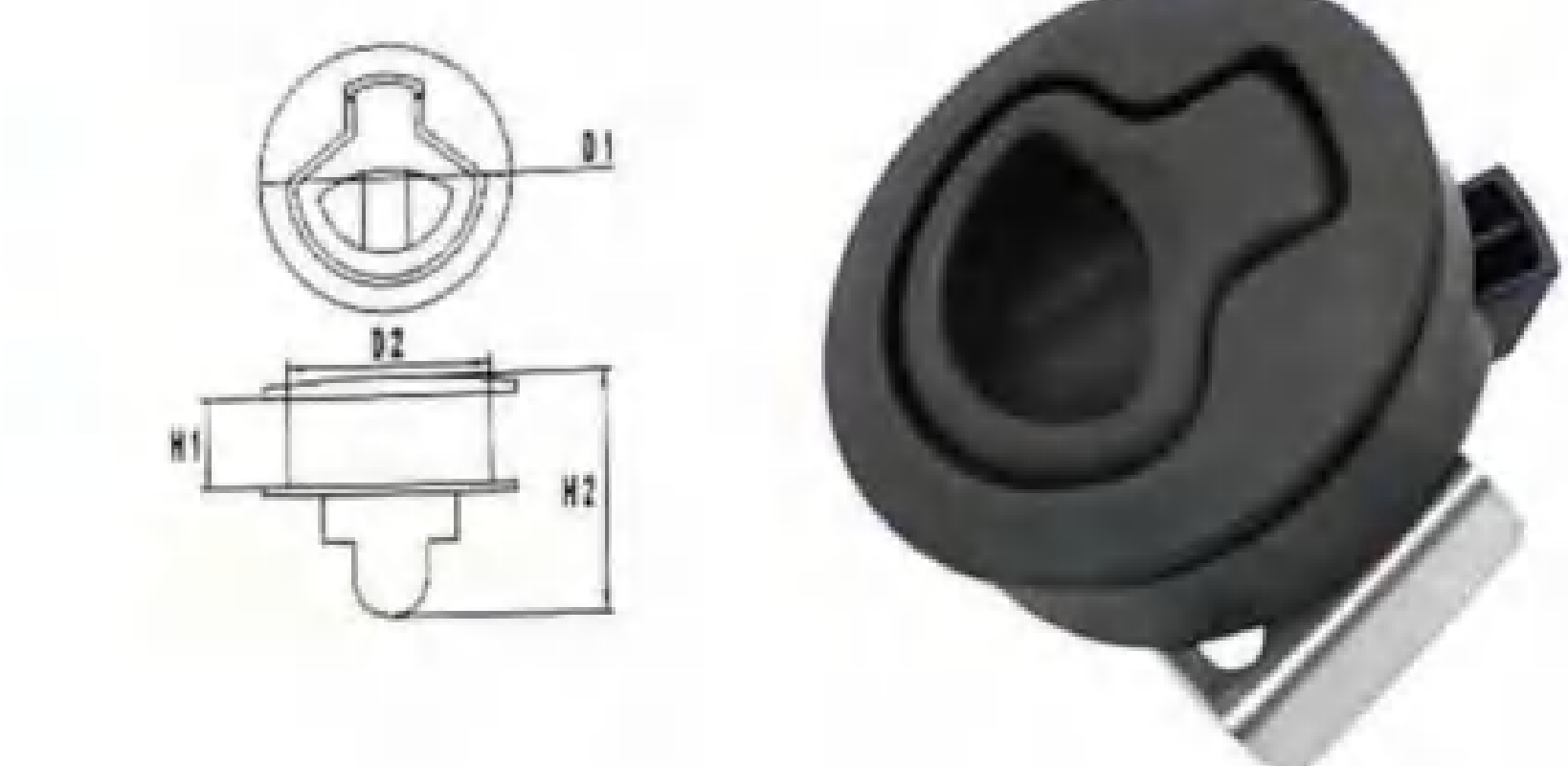
MYLON MATERIAL TURNING LOCK WITH KEY
尼龙带钥匙地板锁

Code	D1 mm	D2 mm	H1 mm	H2 mm	Color
ALS6251B-B	62	50.5	11.5	37.4	BLACK
ALS6251B-W	62	50.5	11.5	37.4	WHITE



MYLON MATERIAL TURNING LOCK
尼龙地板锁

Code	D1 mm	D2 mm	H1 mm	H2 mm	Color
ALS6252-B	62	50.5	11.5	37.4	BLACK



AISI316 STAINLESS STEEL RUBBER PAD FLOOR LOCK
316不锈钢橡胶垫地板锁



Code	D1 mm	D2 mm	H1 mm	H2 mm
ALS6252A	62	52	17.8	37.9

AISI316 STAINLESS STEEL TURNING LOCK
316不锈钢红心地板锁



Code	A mm	B mm	C mm
ALS6482A	64	82	15

AISI316 STAINLESS STEEL TURNING LOCK
316不锈钢地板锁



Code	A mm	B mm	C mm
ALS6472A	64	72	13

"T" TURNING LOCK WITH KEY
316不锈钢地板锁/护套款 带钥匙



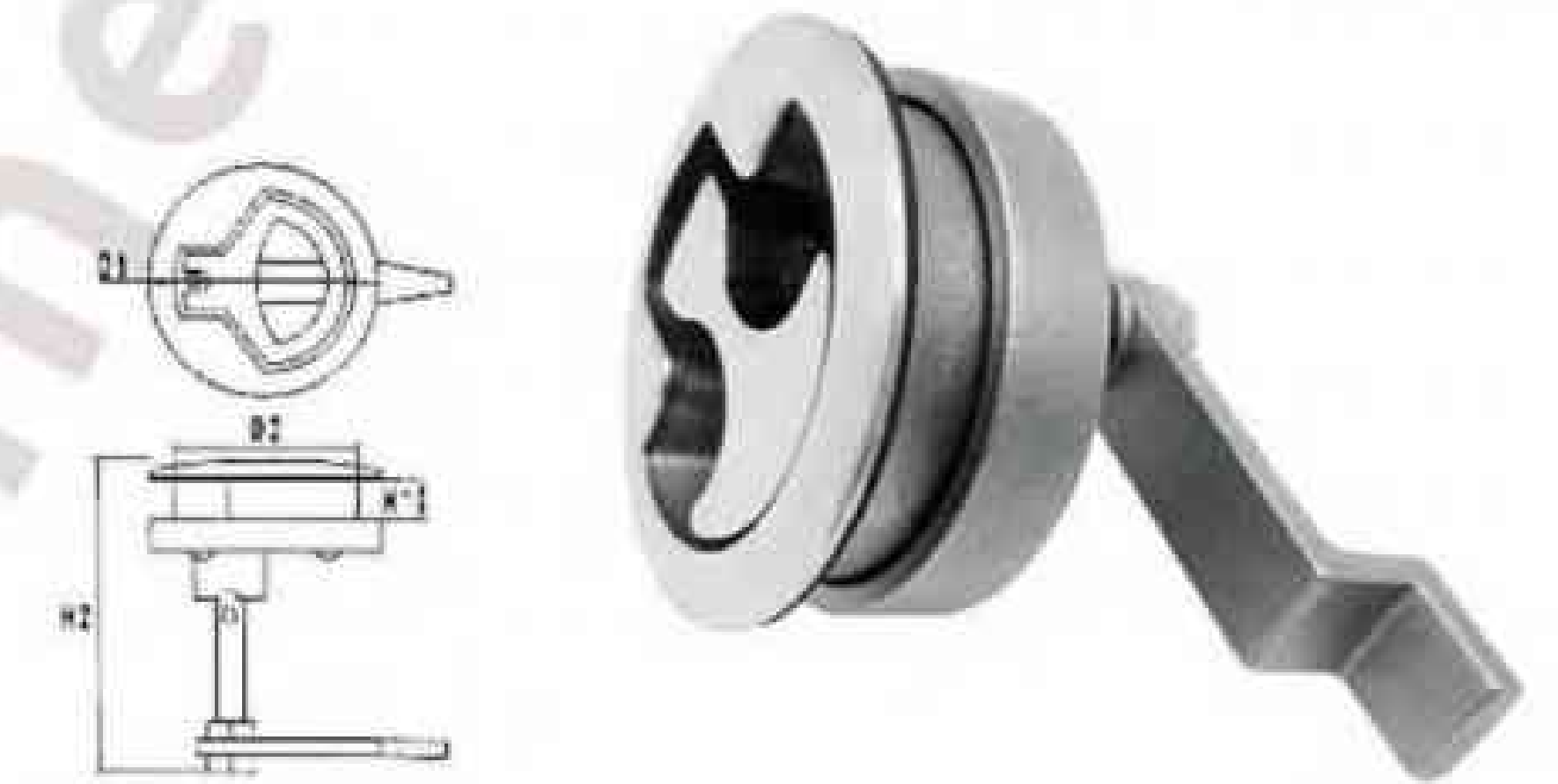
Code	D1 mm	D2 mm	H1 mm	H2 mm
ALS6250C	62	51	10.7	70

AISI316 STAINLESS STEEL TURNING LOCK
316不锈钢地板锁



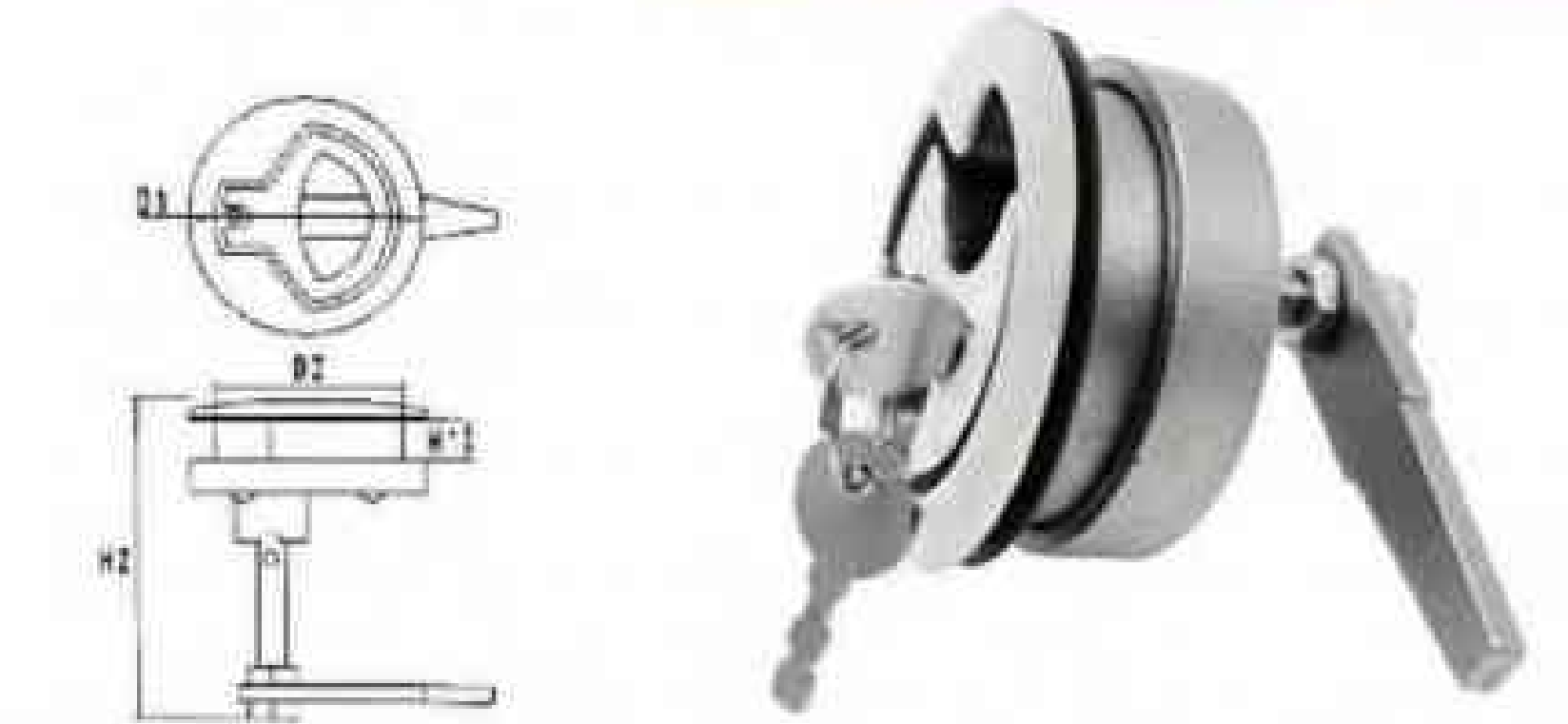
Code	D1 mm	D2 mm	H1 mm	H2 mm
ALS6250C	62	51	10.7	70

AISI316 STAINLESS STEEL TURNING LOCK
316不锈钢地板锁



Code	D1 mm	D2 mm	H1 mm	H2 mm
ALS6151A	61.5	51	10.5	68.5

AISI316 STAINLESS STEEL TURNING LOCK
316不锈钢地板锁护套款 带钥匙



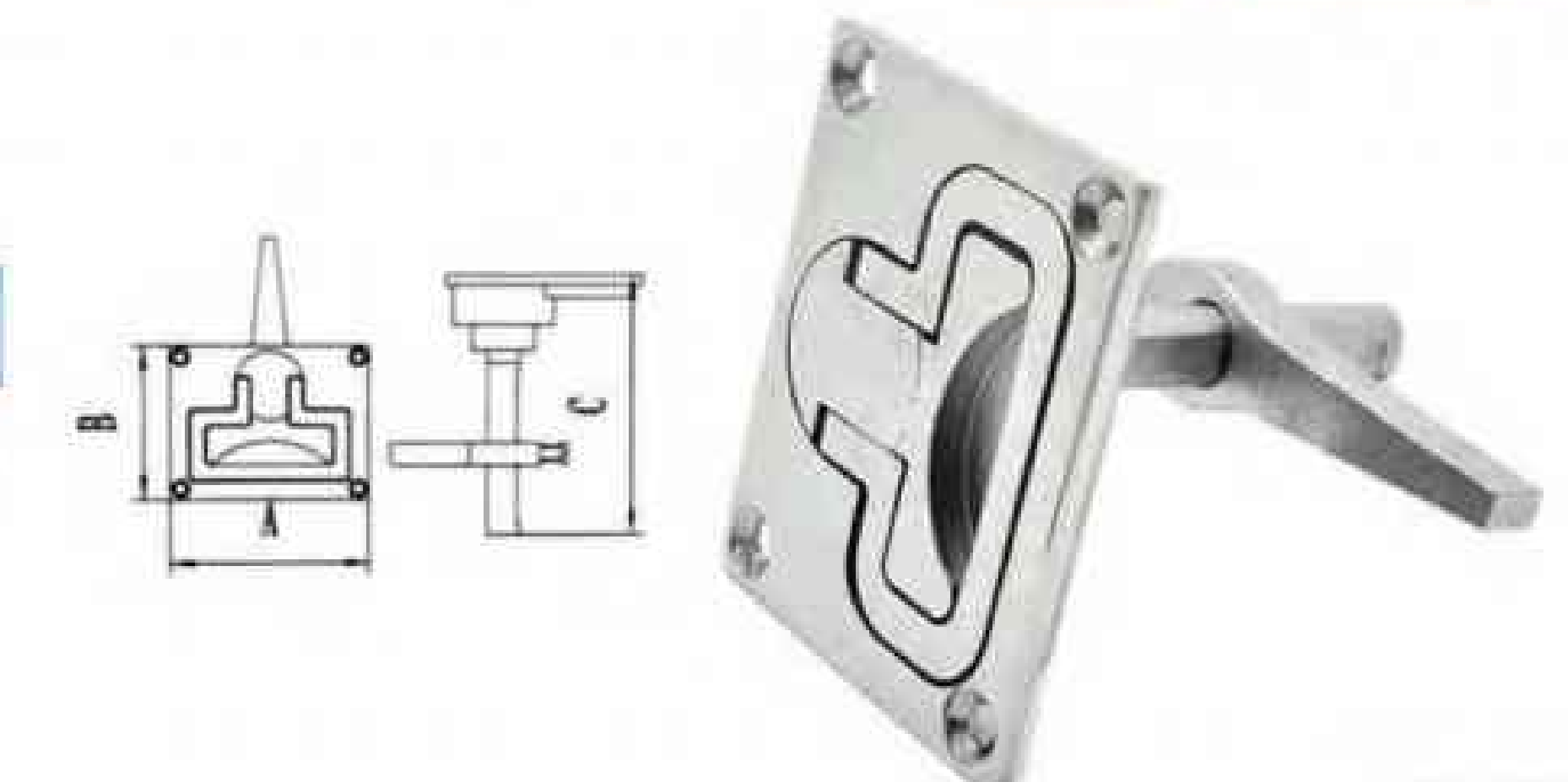
Code	D1 mm	D2 mm	H1 mm	H2 mm
ALS6251D	62	51	10.7	75

AISI316 STAINLESS STEEL TURNING LOCK
316不锈钢D型弹簧锁



Code	A mm	B mm	C mm
ALS6010A	64	100	25
ALS6010B	86	100	25

AISI316 STAINLESS STEEL TURNING LOCK
316不锈钢D型弹簧锁

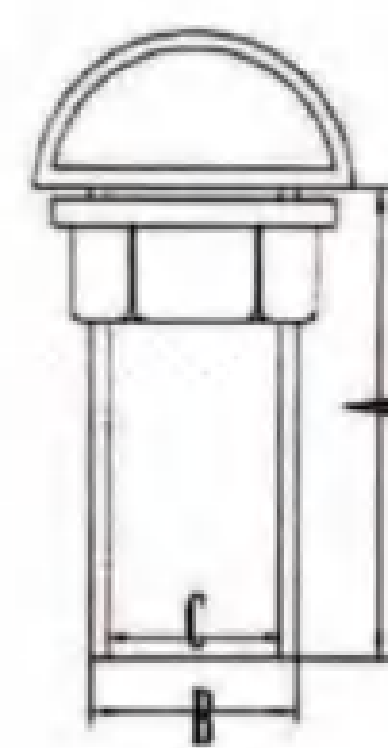


Code	A mm	B mm	C mm
ALS8067A	80	67.5	110



THRU-HULL & TANK VENT

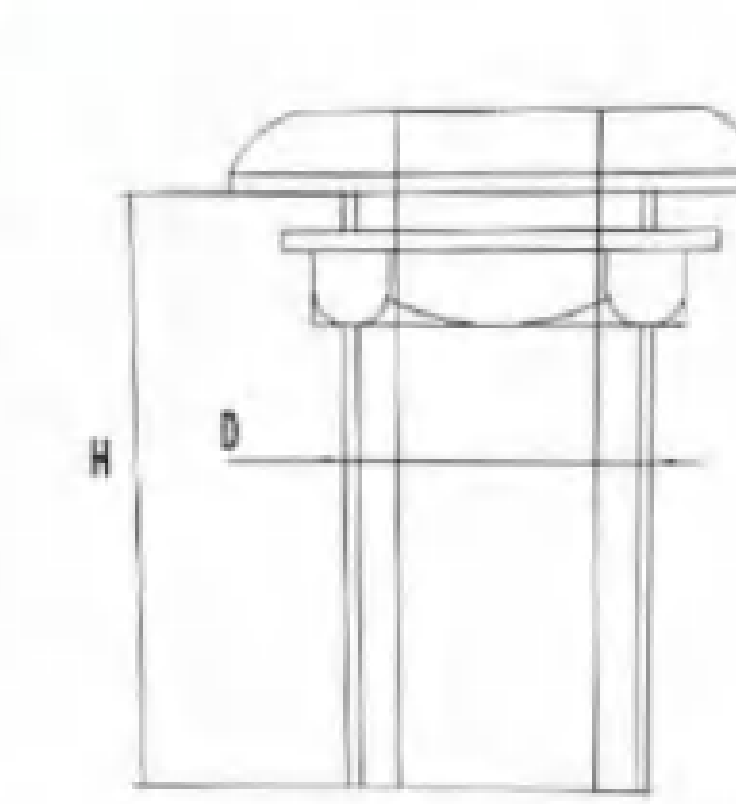
AISI316 STAINLESS STEEL TANK VENT
316不锈钢透气孔



Code	A mm	B mm	C mm	Size
ALS1301-15	65	21	14.5	1/2 inch
ALS1302-19	65	26	19	3/4 inch
ALS1303-25	75	34	26.5	1 inch
ALS1304-40	78	42	35	1-1/4 inch
ALS1305-38	83	48	39	1-1/2 inch
ALS1306-50	90	59	50.8	2 inch

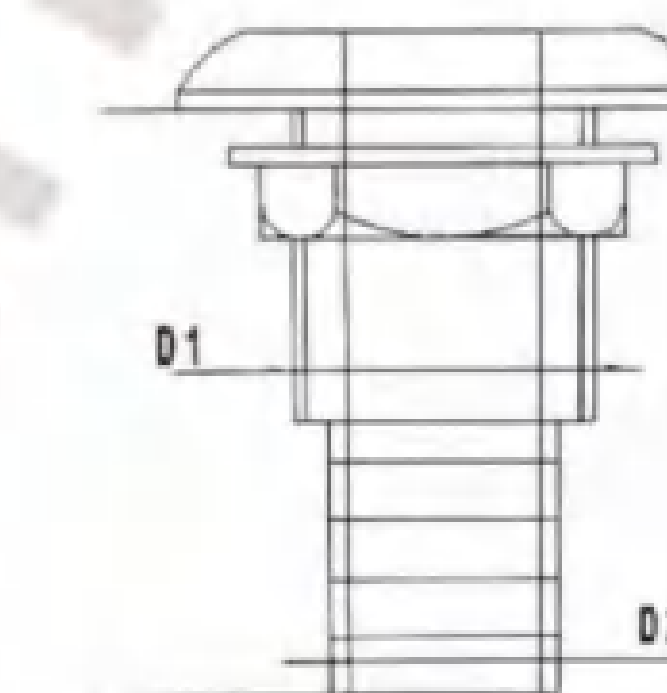
Code	D mm	H mm	Size
ALS1101A	16.5	54	3/8 inch
ALS1102A	21	59	1/2 inch
ALS1103A	26	69	3/4 inch
ALS1104A	33.5	72	1 inch
ALS1105A	43	78.5	1-1/4 inch
ALS1106A	48	79.3	1-1/2 inch
ALS1107A	60	95	2 inch
ALS1108A	75	110	2-1/2 inch
ALS1109A	88	120	3 inch

AISI316 STAINLESS STEEL THRU-HULL
316不锈钢全丝出水口



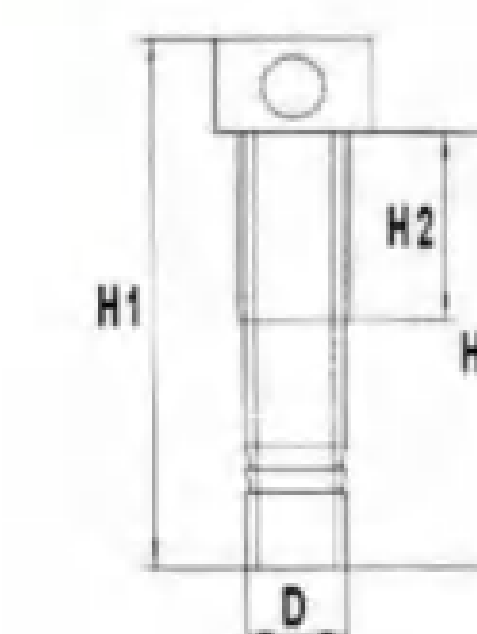
AISI316 STAINLESS STEEL THRU-HULL WITH HOSE
316不锈钢半丝出水口

Code	D1 mm	D2 mm	H mm	Size
ALS1101B	16.5	14	53	1/2 inch
ALS1102B	21	18.5	61	3/4 inch
ALS1103B	26	23	70	7/8 inch
ALS1104B	33	26	72	1 inch
ALS1105B	42	33.5	78	1-1/4 inch
ALS1106B	42	39.5	79	1-1/2 inch
ALS1107B	59	52	98	2 inch



AISI316 STAINLESS STEEL THRU-HULL WITH HOSE
316不锈钢加长半丝出气口

Code	D mm	H mm	Size
ALS1201A	14	87	1/2 inch
ALS1202A	18	96	3/4 inch
ALS1203A	24.5	95.5	1 inch
ALS1204A	32	87	1-1/4 inch
ALS1205A	38	97	1-1/2 inch

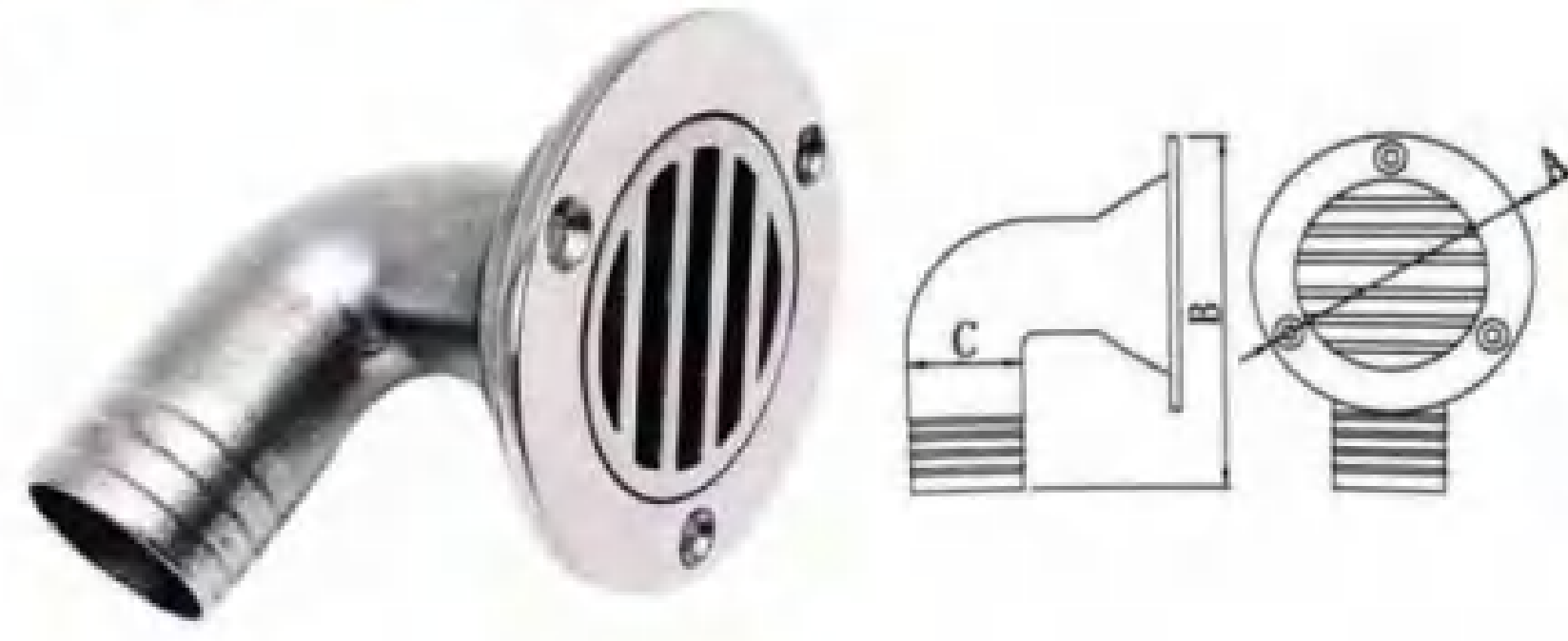


PLASTIC DECK FILLER SOCKET OF FUEL
316不锈钢排水口

Code	A mm	B mm	C mm	D mm	E mm	Size
ALS0620-16	73.5	42	23	16	5/8 inch	
ALS0620-20	80	50.5	26.5	18.5	3/4 inch	
ALS0620-25	93	61	33	25	1 inch	
ALS0620-32	97	67	41	31.5	1-1/4 inch	
ALS0620-38	102	75	46.5	38	1-1/2 inch	
ALS0620-50	130	90	57	51	2 inch	

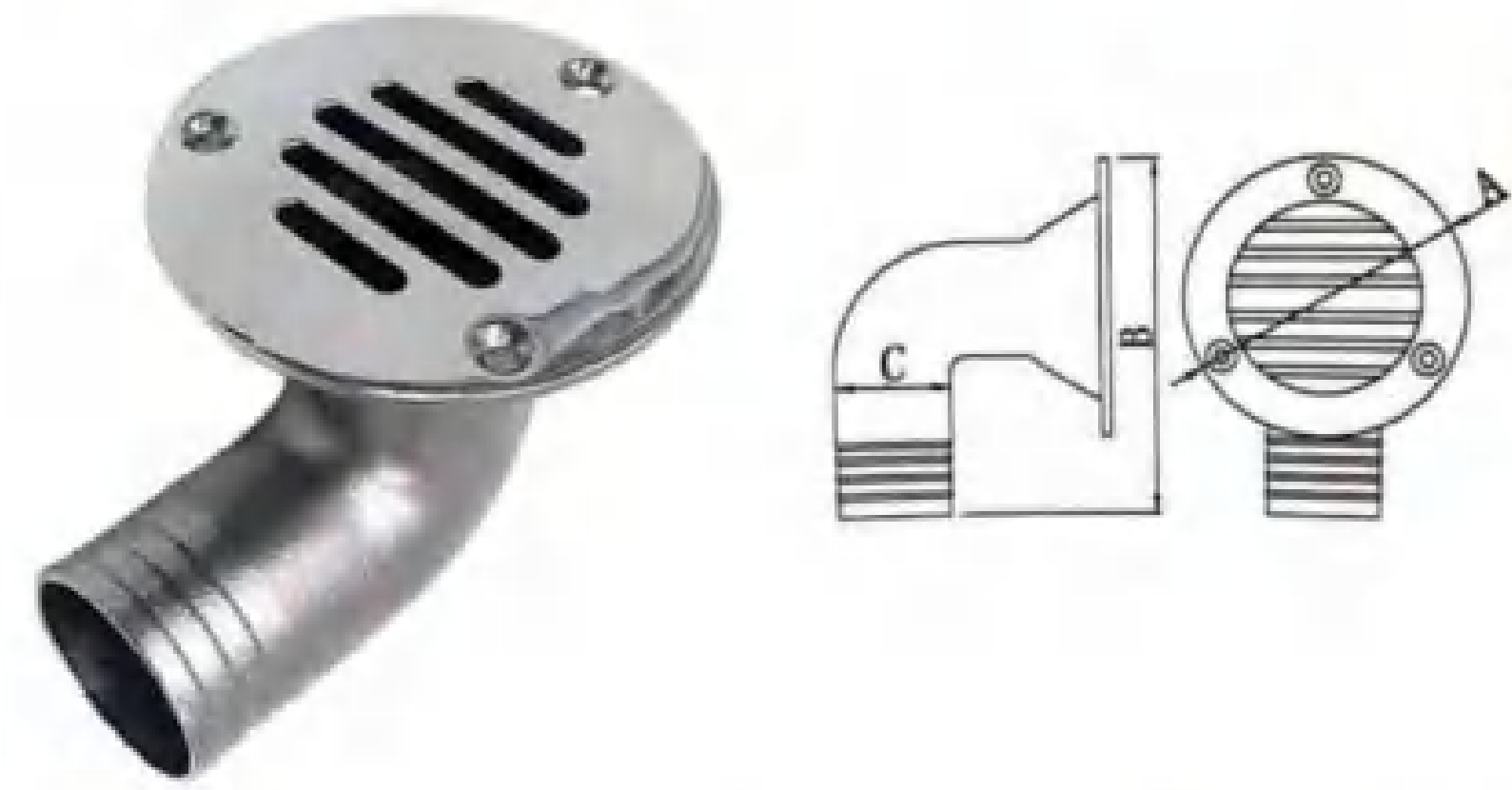


AISI316 STAINLESS STEEL COCKPIT
316不锈钢可拆卸弯地漏



Code	A mm	B mm	C mm	Size
ALS1401A-32	79	103	32.5	32 mm
ALS1402A-38	79	103	38.5	38 mm

AISI316 STAINLESS STEEL COCKPIT DRAIN
316不锈钢一体弯地漏



Code	A mm	B mm	C mm	Size
ALS1501A-32	79	103	32.5	32mm
ALS1502A-38	79	103	38.5	38mm

AISI316 STAINLESS STEEL COCKPIT DRAIN
316不锈钢焊接直地漏



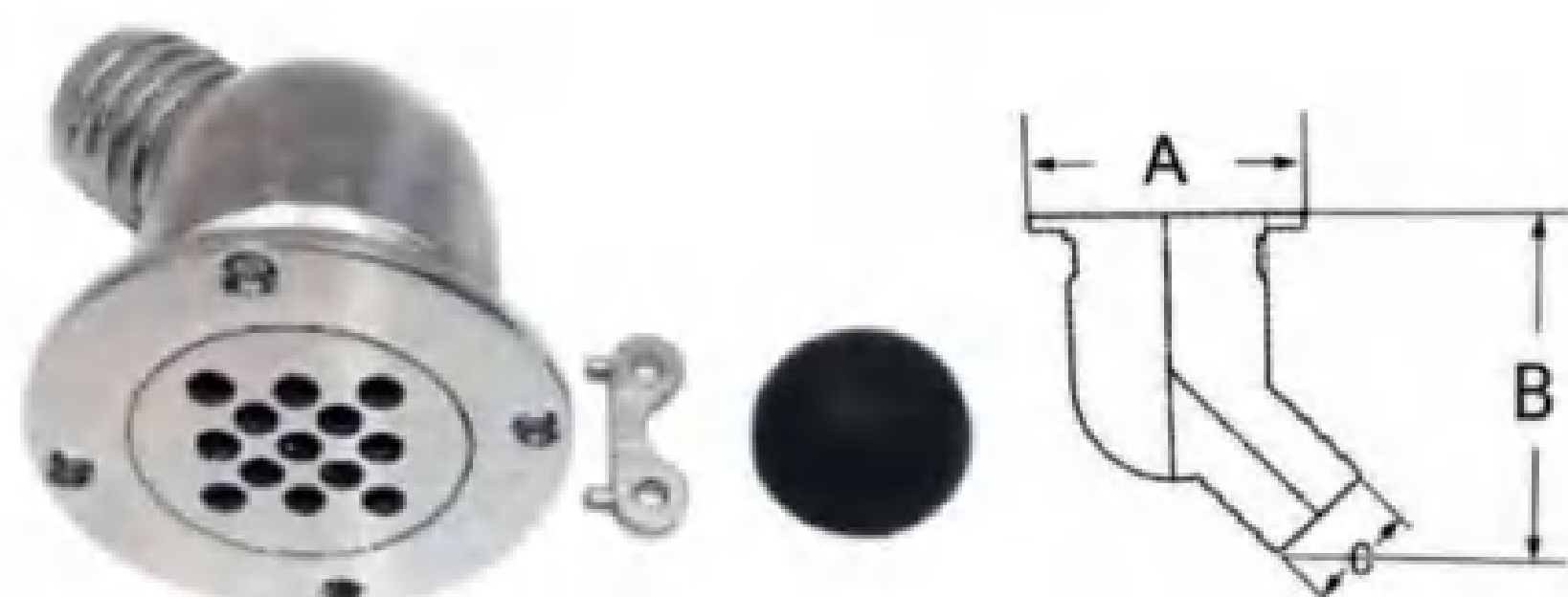
Code	A mm	B mm	C mm	Size
ALS1601A-50	51	82	80	50mm

AISI316 STAINLESS STEEL COCKPIT DRAIN
316不锈钢可拆卸直地漏



Code	D1 mm	D2 mm	H mm	Size
ALS1602A-25	22	25	28	25mm
ALS1602B-38	58	38	60	38mm

AISI316 STAINLESS STEEL COCKPIT DRAOM SCUPPER WITH BALL
316不锈钢浮球地漏



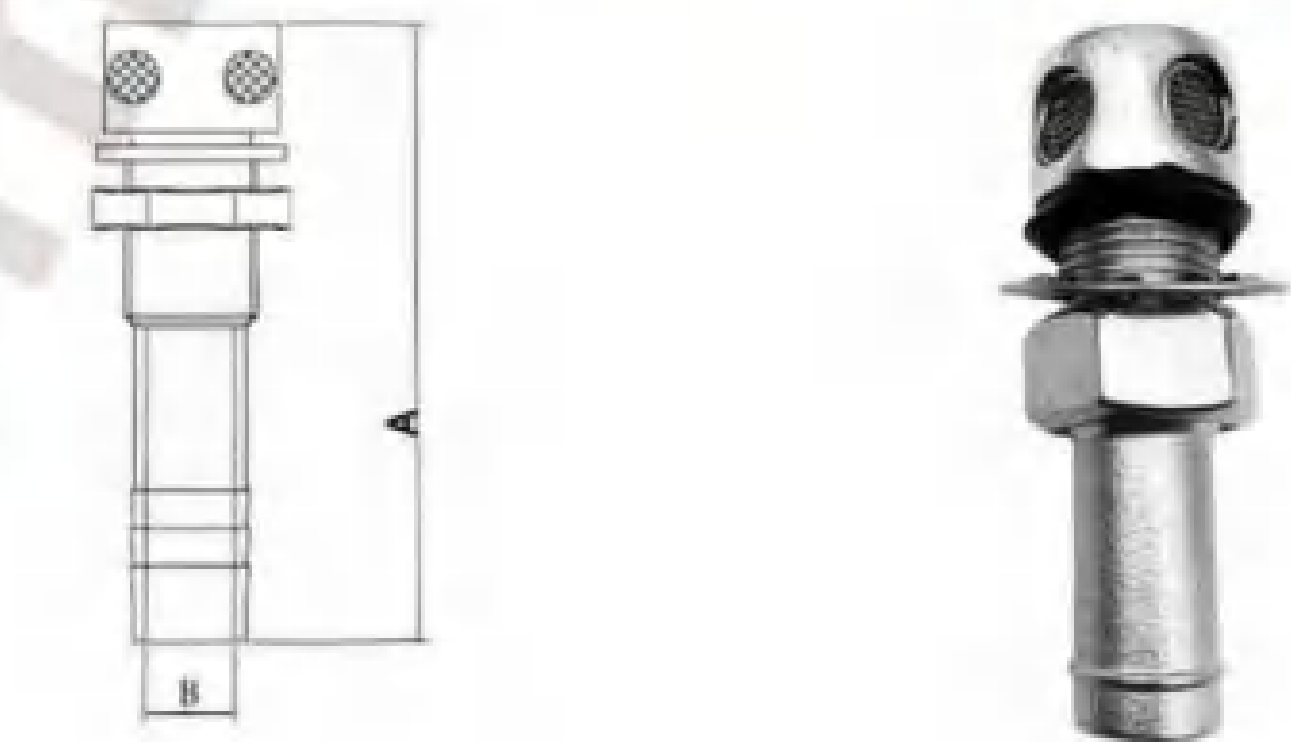
Code	A mm	B mm	C mm	Size
ALS1701A-38	92	115	40	38mm

AISI316 STAINLESS STEEL INTAKE STRAINER
316不锈钢海底门



Code	A mm	B mm	C mm	D mm	E mm	Size
ALS1801A	90	82	16.5	11	65	3/8 inch
ALS1802A	90	82	21	12.5	66	1/2 inch
ALS1803A	107	104	26	18.5	80	3/4 inch
ALS1804A	106	106	33	25.5	76	1 inch
ALS1805A	103	117	42	32	78	1-1/4 inch
ALS1806A	109	133	47.5	38	80	1-1/2 inch
ALS1807A	124	152	60	50	91	2 inch
ALS1808A	153	198	75	63.5	112	2-1/2 inch
ALS1809A	178	240	88	76	130	3 inch

AISI316 STAINLESS STEEL TANK VENT
316不锈钢出气口



Code	D mm	H1 mm	H2 mm	H3 mm
ALS2880A	16	82	28	70

AISI316 STAINLESS STEEL 90 DEGREE TANK VENT
316不锈钢90°出气口



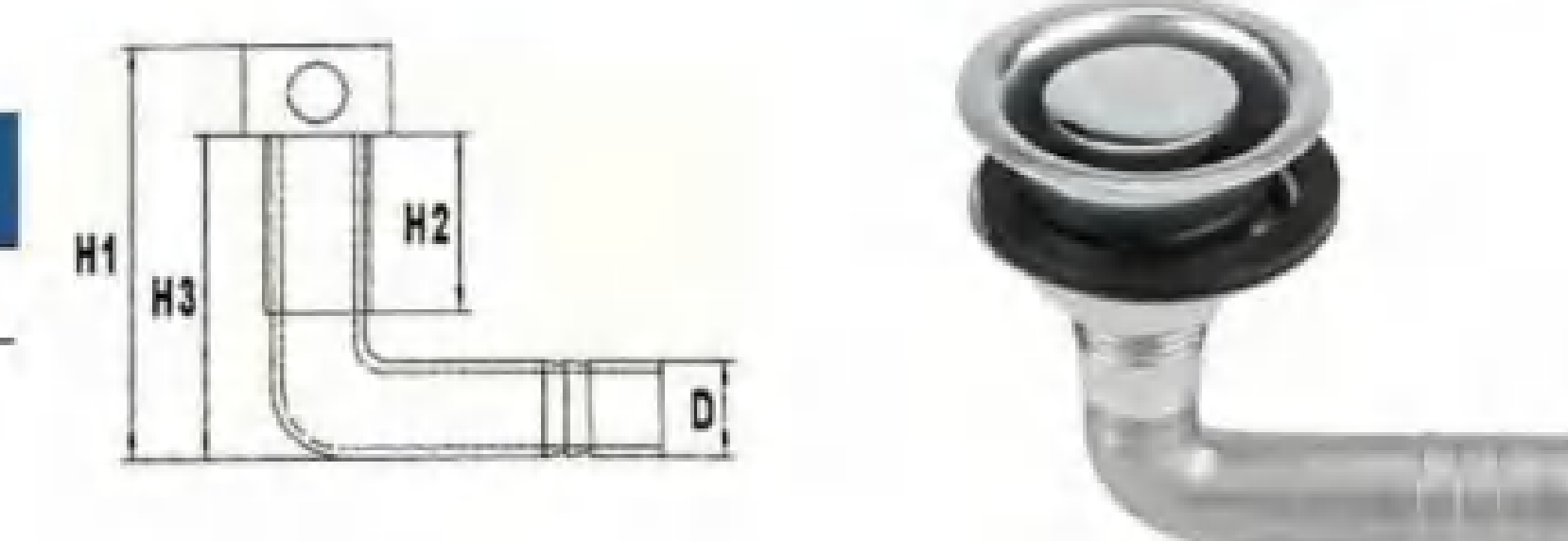
Code	D mm	H1 mm	H2 mm	H3 mm
ALS2880B	16	84	28	49

AISI316 STAINLESS STEEL TANK VENT
316不锈钢出气口



Code	D mm	H1 mm	H2 mm	H3 mm
ALS12881A	16	84	28	70

AISI316 STAINLESS STEEL 90 DEGREE TANK VENT
316不锈钢90°出气口



Code	D1 mm	H1 mm	H2 mm	H mm
ALS2881B	16	84	28	49

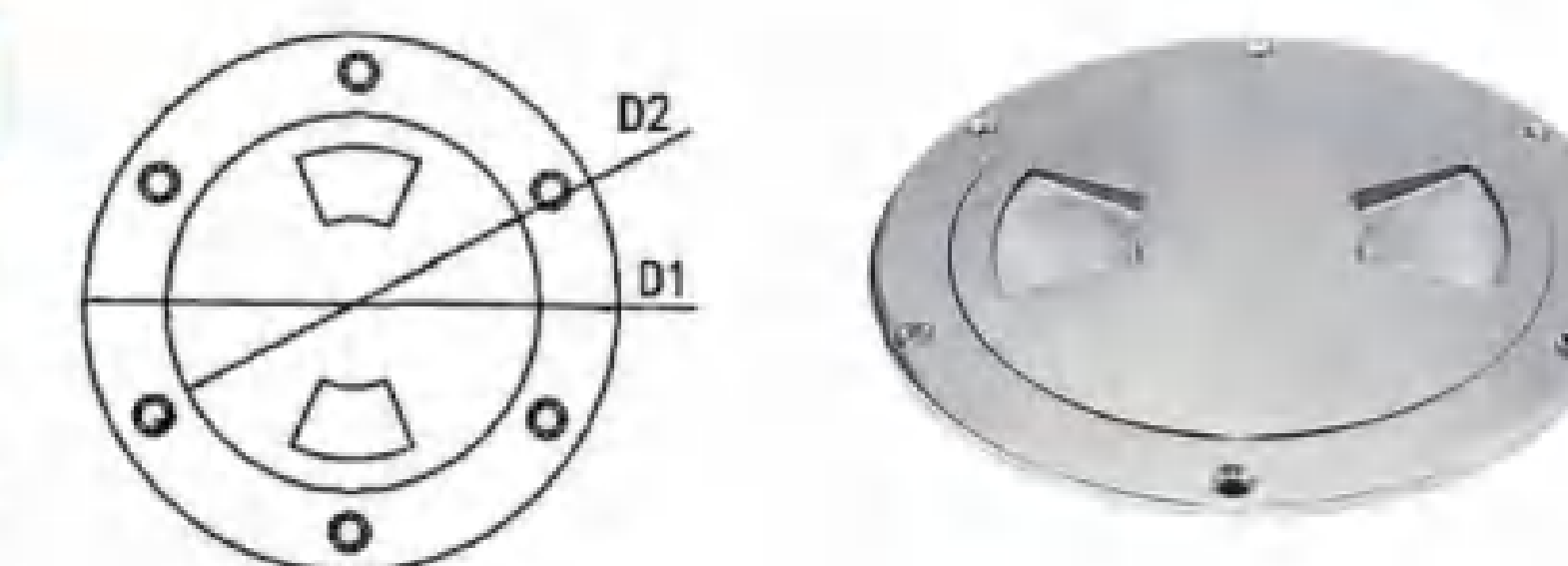


DECK PLATE

MARINE GRADE 316 STAINLESS STEEL,
MIRROR POLISHE.

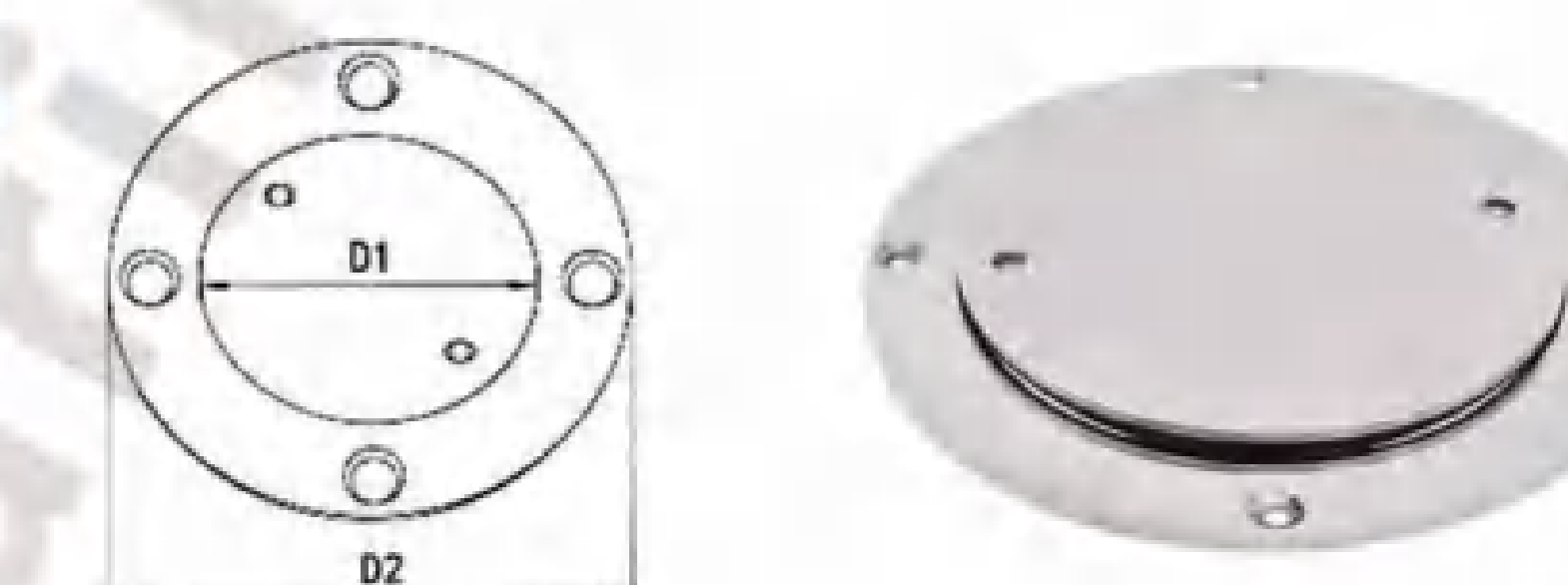
AISI316 STAINLESS STEEL DECK PLATE AISI316不锈钢甲板圆盘

Code	D1 mm	D2 mm	Size
ALS3103A	123	81.8	3 inch
ALS3104A	147	106	4 inch
ALS3105A	173	133	5 inch
ALS3106A	196.5	161.8	6 inch



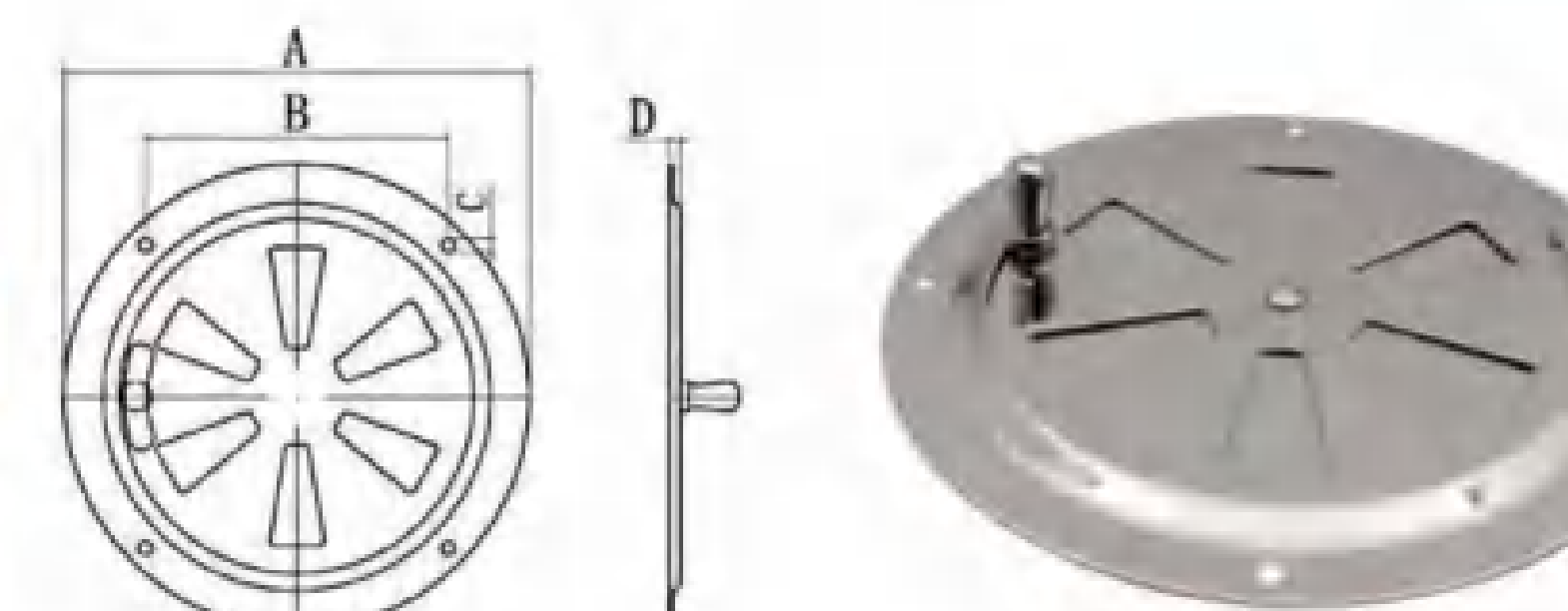
AISI316 STAINLESS STEEL ANTENNA BASE AISI316不锈钢甲板圆盘

Code	D1 mm	D2 mm	Size
ALS3203A	81.8	123	3 inch
ALS3204A	106	147	4 inch
ALS3205A	133	173	5 inch
ALS3206A	161.8	196.5	6 inch



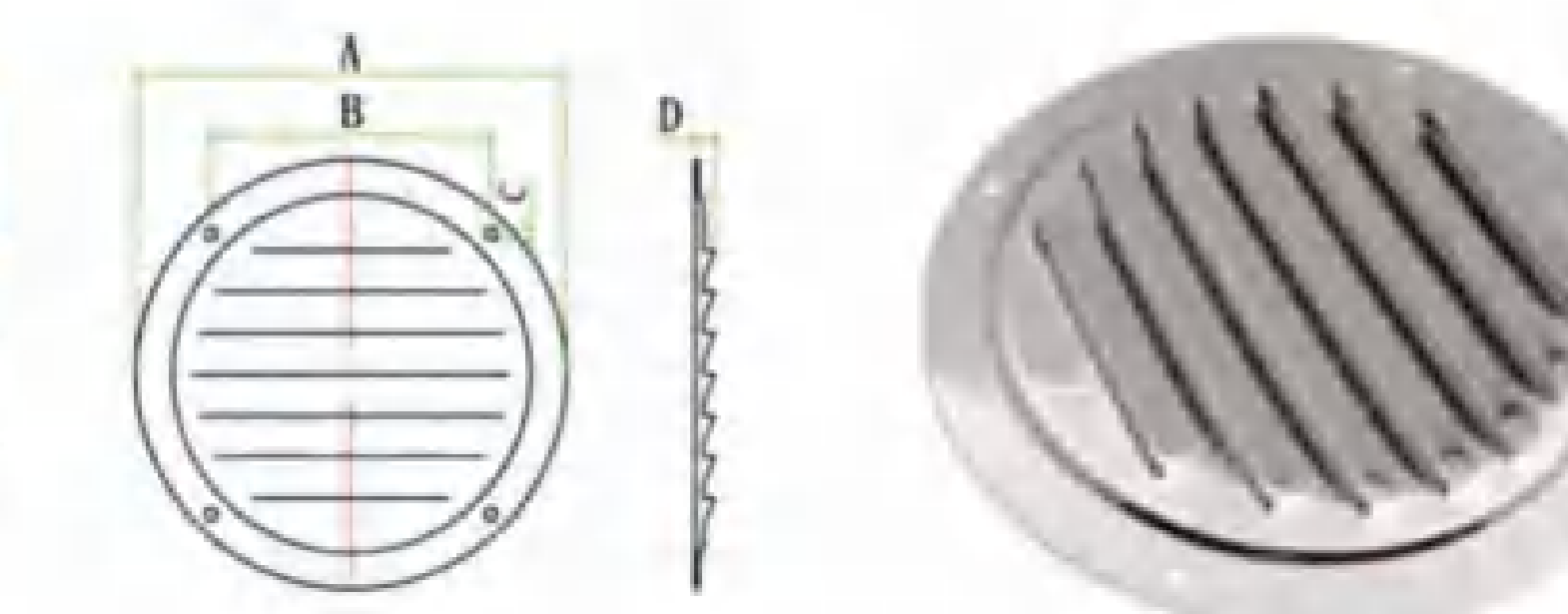
STAINLESS STEEL ROUND AIR LOUVER VENT(SLIDE KHOB OPENING) 316不锈钢圆形百叶风口 (滑动孔)

Code	A mm	B mm	C mm	D mm	Size
ALS1702-5	125	81.5	3.5	3	5 inch



STAINLESS STEEL ROUND AIR LOUVER VENT(SLIDE KHOB OPENING) 316不锈钢圆形百叶风口 (滑动孔)

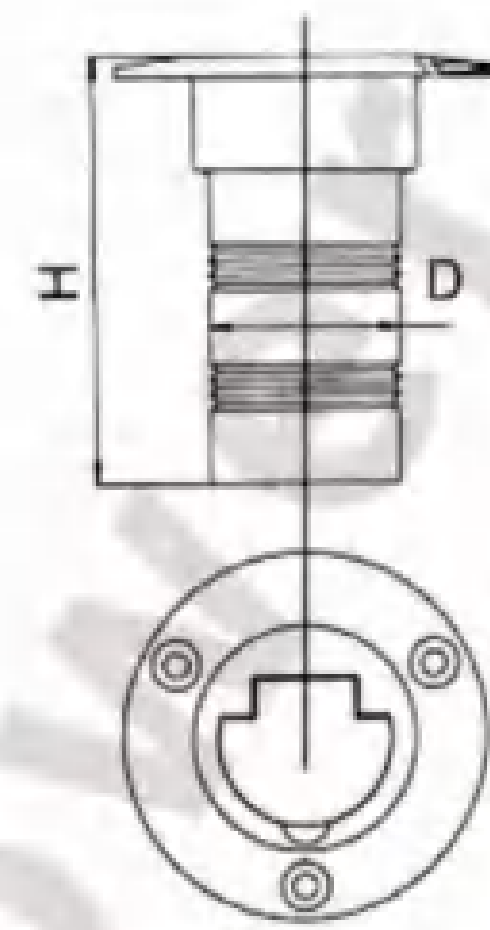
Code	A mm	B mm	C mm	D mm	Size
ALS1701-4	101	65	3.5	3	4 inch
ALS1701-5	125	81.5	3.5	5.5	5 inch





DECK FILLER & RV ACCESSORIES

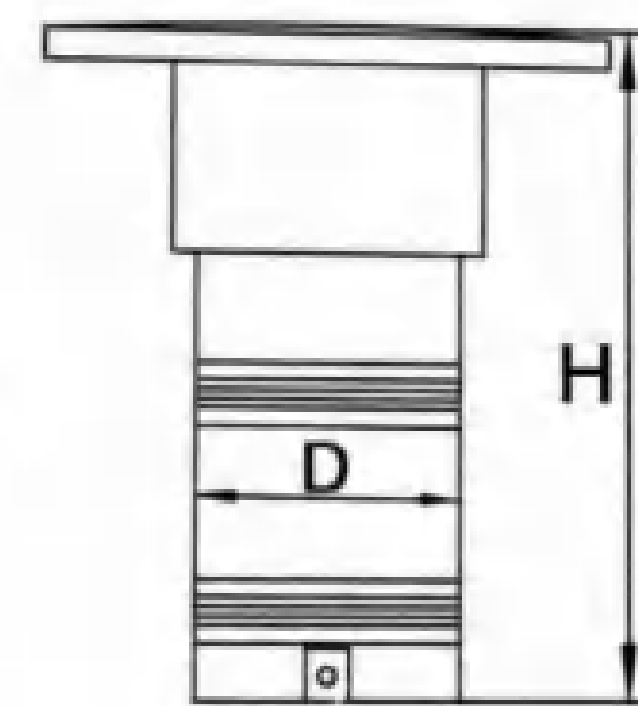
AISI316 STAINLESS STEEL DECK FILLER (WITH KEYLESS CAP)
316不锈钢翻盖直油箱体



Code	D mm	H mm	Model
ALS1038A - FUEL	38	80	FUEL
ALS1050A - FUEL	50	80	FUEL
ALS1138A - DIESEL	38	80	DIESEL
ALS1150A - DIESEL	50	80	DIESEL
ALS1238A - WASTE	38	80	WASTE
ALS1250A - WASTE	50	80	WASTE
ALS1338A - GAS	38	80	GAS
ALS1350A - GAS	50	80	GAS
ALS1438A - WATER	38	80	WATER
ALS1450A - WATER	50	80	WATER

Support for lettering

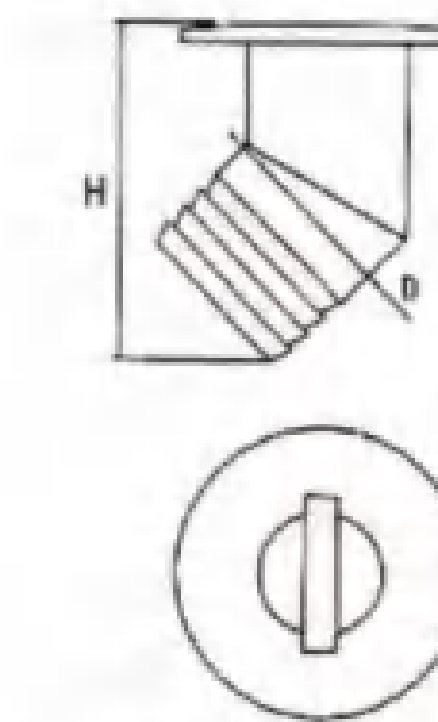
AISI316 STAINLESS STEEL DECK FILLER (WITH KEY)
316不锈钢带钥匙油箱体



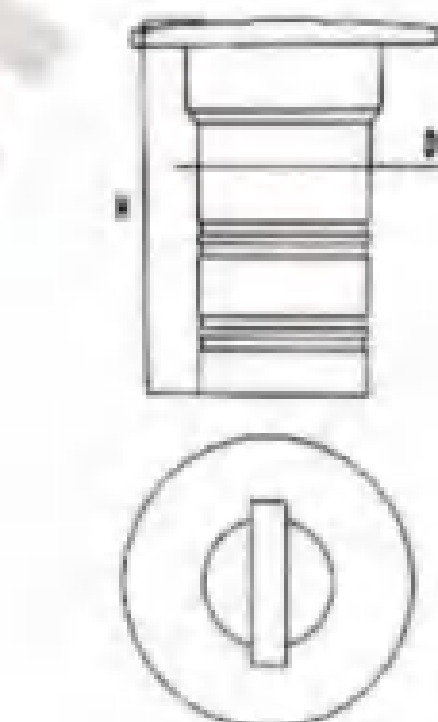
Code	D mm	H mm	Model
ALS2038A-FUEL	38	80	FUEL
ALS2050A-FUEL	50	80	FUEL
ALS2138A-DIESEL	38	80	DIESEL
ALS2150A-DIESEL	50	80	DIESEL
ALS2238A-WASTE	38	80	WASTE
ALS2250A-WASTE	50	80	WASTE
ALS2338A-GAS	38	80	GAS
ALS2350A-GAS	50	80	GAS
ALS2438A-WATER	38	80	WATER
ALS2450A-WATER	50	80	WATER

Code	D mm	H mm	Model
ALS3038A-FUEL	38	78	FUEL
ALS3050A-FUEL	50	97	FUEL
ALS3138A-DIESEL	38	78	DIESEL
ALS3150A-DIESEL	50	97	DIESEL
ALS3238A-WASTE	38	78	WASTE
ALS3250A-WASTE	50	97	WASTE
ALS3438A-WATER	38	78	WATER
ALS3450A-WATER	50	97	WATER

AISI316 STAINLESS STEEL DECK FILLER
316不锈钢45°小舌头油箱体

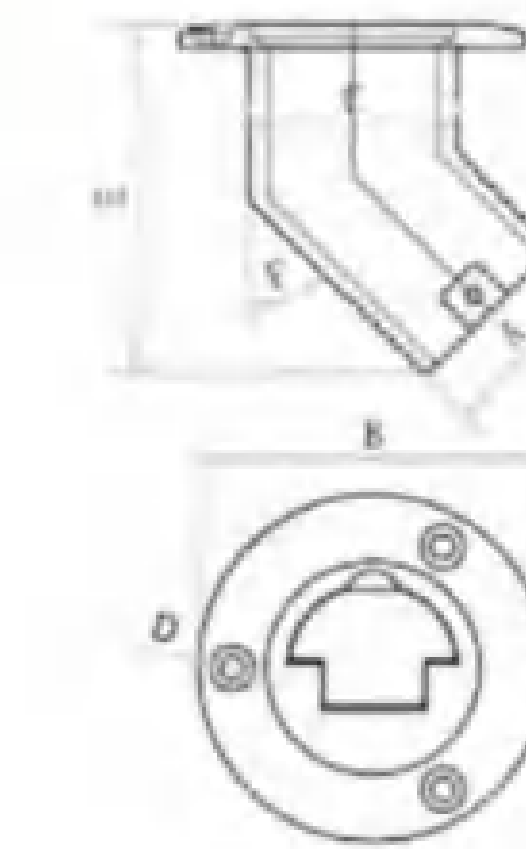


AISI316 STAINLESS STEEL DECK FILLER
316不锈钢90°小舌头油箱体



Code	D mm	H mm	Model
ALS4038A-FUEL	38	87.1	FUEL
ALS4050A-FUEL	50	87.1	FUEL
ALS4138A-DIESEL	38	87.1	DIESEL
ALS4150A-DIESEL	50	87.1	DIESEL
ALS4238A-WASTE	38	87.1	WASTE
ALS4250A-WASTE	50	87.1	WASTE
ALS4438A-WATER	38	87.1	WATER
ALS4450A-WATER	50	87.1	WATER

AISI316 STAINLESS STEEL DECK FILLER
316不锈钢弯翻盖油箱体



Code	D mm	H mm	Model
ALS5038A-FUEL	38	76	FUEL
ALS5050A-FUEL	50	91	FUEL
ALS5138A-DIESEL	38	76	DIESEL
ALS5150A-DIESEL	50	91	DIESEL
ALS5238A-WASTE	38	76	WASTE
ALS5250A-WASTE	50	91	WASTE
ALS5438A-WATER	38	76	WATER
ALS5450A-WATER	50	91	WATER

PLASTIC DECK FILLER SOCKET OF WATER
316不锈钢塑料加水口

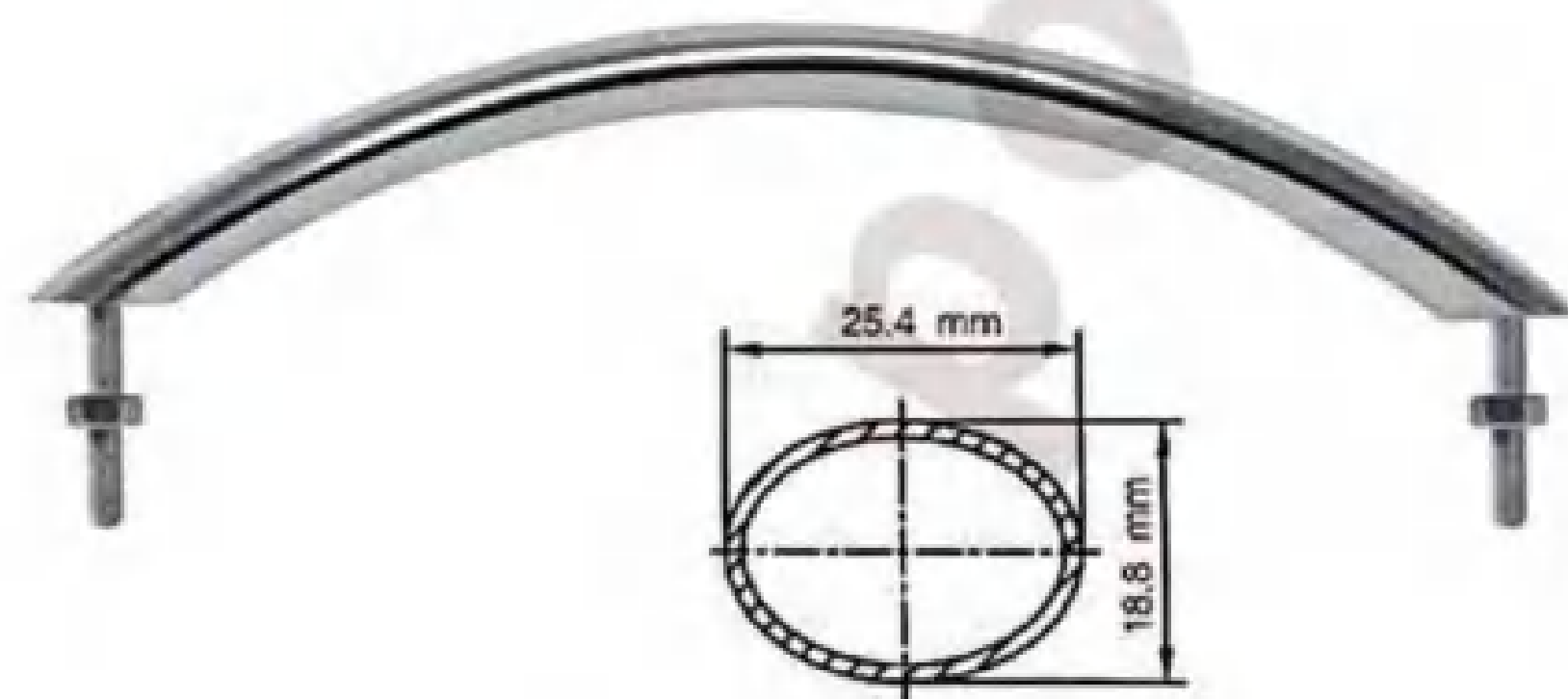


Code	Specs	Current	Power	KHz	SPL
ALS-HS-12V	Single	3.5A	42W	345Hz	125dB(A)
ALS-HS-24V	Single	1.75A	42W	345Hz	125dB(A)
ALS-HD-12V	Dual	7A	84W	370Hz	125dB(A)
ALS-HD-24V	Dual	3.5A	84W	370Hz	125dB(A)



HANDRAILS

AISI316/304 STAINLESS STEEL OVAL HANDRAIL
316/304不锈钢椭圆形扶手



Code	LengthxHeight	Tube Dia
ALS-RH-1208	8"(200mm)	1"x3/4"(25.4x18.8mm)
ALS-RH-1212	12"(200mm)	1"x3/4"(25.4x18.8mm)

AISI316/304 STAINLESS STEEL OVAL HANDRAIL
316/304不锈钢椭圆形扶手



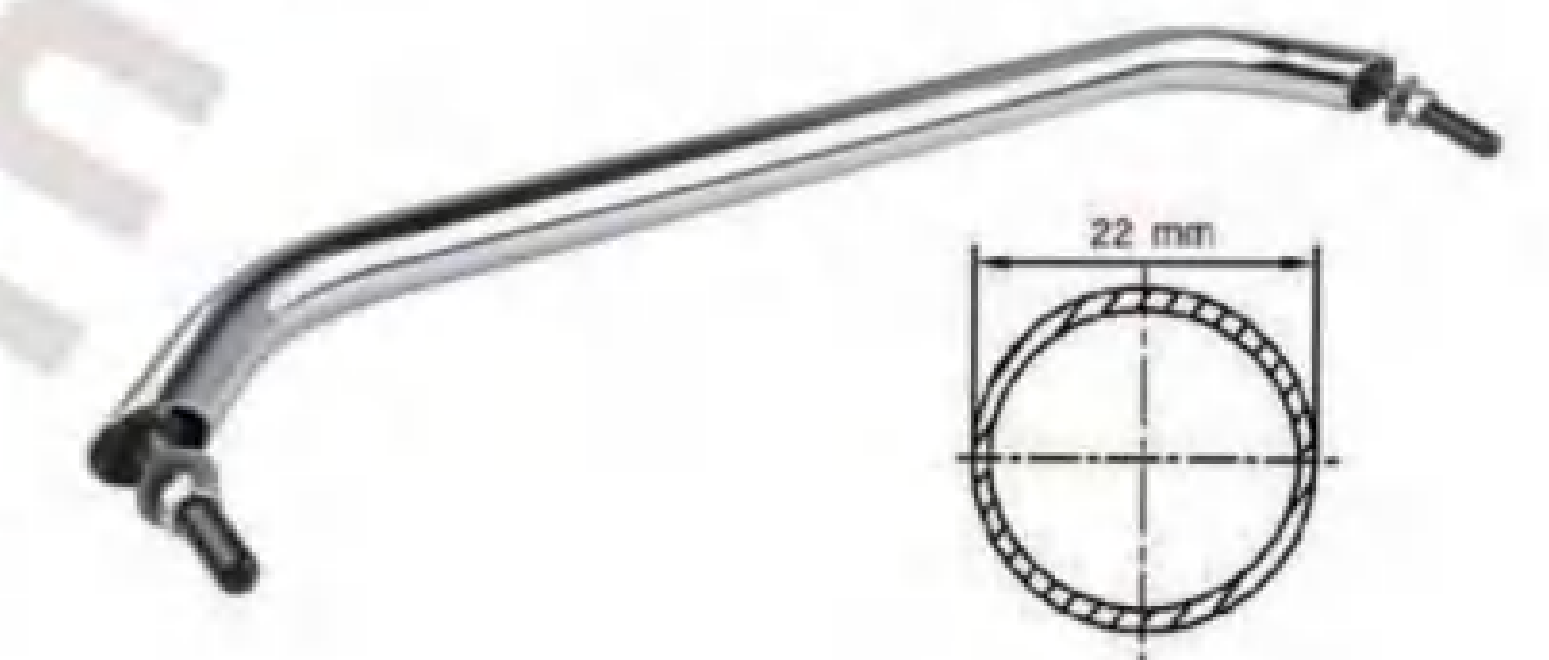
Code	LengthxHeight	Tube Dia
ALS-RH-1308	8" (200mm)	1"x3/4"(25.4x18.8mm)
ALS-RH-1310	10" (300mm)	1"x3/4"(25.4x18.8mm)
ALS-RH-1312	12" (300mm)	1"x3/4"(25.4x18.8mm)
ALS-RH-1316	16" (300mm)	1"x3/4"(25.4x18.8mm)

AISI316/304 STAINLESS STEEL OVAL HANDRAIL
316/304不锈钢椭圆形扶手



Code	LengthxHeight	Tube Dia
ALS-RH-1409	9"	1/5/8" x 2-1/2"
ALS-RH-1412	12"	1/5/8" x 2-1/2"

AISI316/304 STAINLESS STEEL OVAL HANDRAIL
316/304不锈钢椭圆形扶手



Code	Length	Tube Dia	Stud
ALS-RH-1512	12"(300mm)	7/8"(22 mm)	1/4"
ALS-RH-1518	18"(450mm)	7/8"(22 mm)	1/4"
ALS-RH-1524	24"(600mm)	7/8"(22 mm)	1/4"

AISI316/304 STAINLESS OVAL HANDRAIL
316/304不锈钢椭圆形扶手

Code	Length	Tube Dia
ALS-RH-1608	8"(200mm)	7/8"(22 mm)
ALS-RH-1612	12"(300mm)	7/8"(22 mm)
ALS-RH-1616	16"(400mm)	7/8"(22 mm)
ALS-RH-1620	20"(500mm)	7/8"(22 mm)
ALS-RH-1624	24"(600mm)	7/8"(22 mm)
ALS-RH-1632	32"(800mm)	7/8"(22 mm)
ALS-RH-1640	40"(1000mm)	7/8"(22 mm)



AISI316/304 STAINLESS STEEL ROUND HANDRAIL, WELDED ROUND BASE
316/304不锈钢圆形扶手, 焊接圆形底座

Code	Length	Tube Dia
ALS-RH-1708	8"(200mm)	7/8"(22 mm)
ALS-RH-1712	12"(300mm)	7/8"(22 mm)
ALS-RH-1720	20"(500mm)	7/8"(22 mm)
ALS-RH-1732	32"(800mm)	7/8"(22 mm)
ALS-RH-1740	40"(1000mm)	7/8"(22 mm)

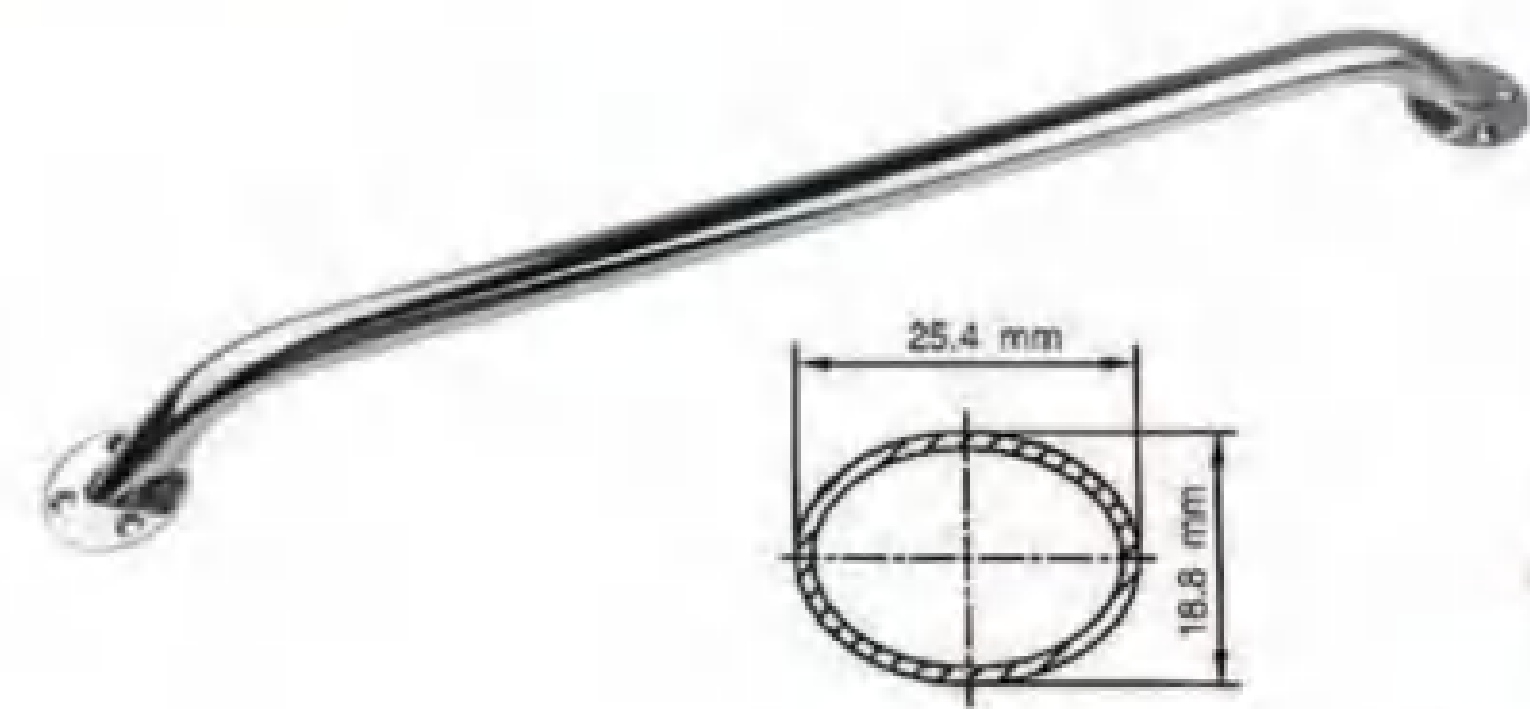


GRAB RAIL,AISI316
不锈钢扶手



Code	Length	Tube Dia	Degree
ALS-RH-1812	12"(300mm)		45dr
ALS-RH-1818	18"(450mm)		45dr
ALS-RH-1824	24"(600mm)		45dr
ALS-RH-1830	30"(750mm)		45dr
ALS-RH-1836	36"(900mm)		45dr
ALS-RH-1912	12"(300mm)		90dr
ALS-RH-1918	18"(450mm)		90dr
ALS-RH-1924	24"(600mm)		90dr
ALS-RH-1930	30"(750mm)		90dr
ALS-RH-1936	36"(900mm)		90dr

OVAL HANDRAIL,ROUND BASE SCREWED
椭圆形扶手



Code	Overall length	Base Size	Tube Dia
ALS-RH-2009	9"	2-1/4"(57mm)	1"x3/4"(25.4x18.8mm)
ALS-RH-2012	12"	2-1/4"(57mm)	1"x3/4"(25.4x18.8mm)
ALS-RH-2016	16"	2-1/4"(57mm)	1"x3/4"(25.4x18.8mm)
ALS-RH-2018	18"	2-1/4"(57mm)	1"x3/4"(25.4x18.8mm)
ALS-RH-2024	24"	2-1/4"(57mm)	1"x3/4"(25.4x18.8mm)

316 HANDRAILWITH BASE
椭圆形扶手



Code	Overall length	Base Size	Tube Dia
ALS-RH-2109	9"	55x32.4mm	1"(25.4mm)
ALS-RH-2112	12"	55x32.4mm	1"(25.4mm)
ALS-RH-2116	16"	55x32.4mm	1"(25.4mm)
ALS-RH-2118	18"	55x32.4mm	1"(25.4mm)
ALS-RH-2124	24"	55x32.4mm	1"(25.4mm)

OVAL HANDRAIL
椭圆形扶手



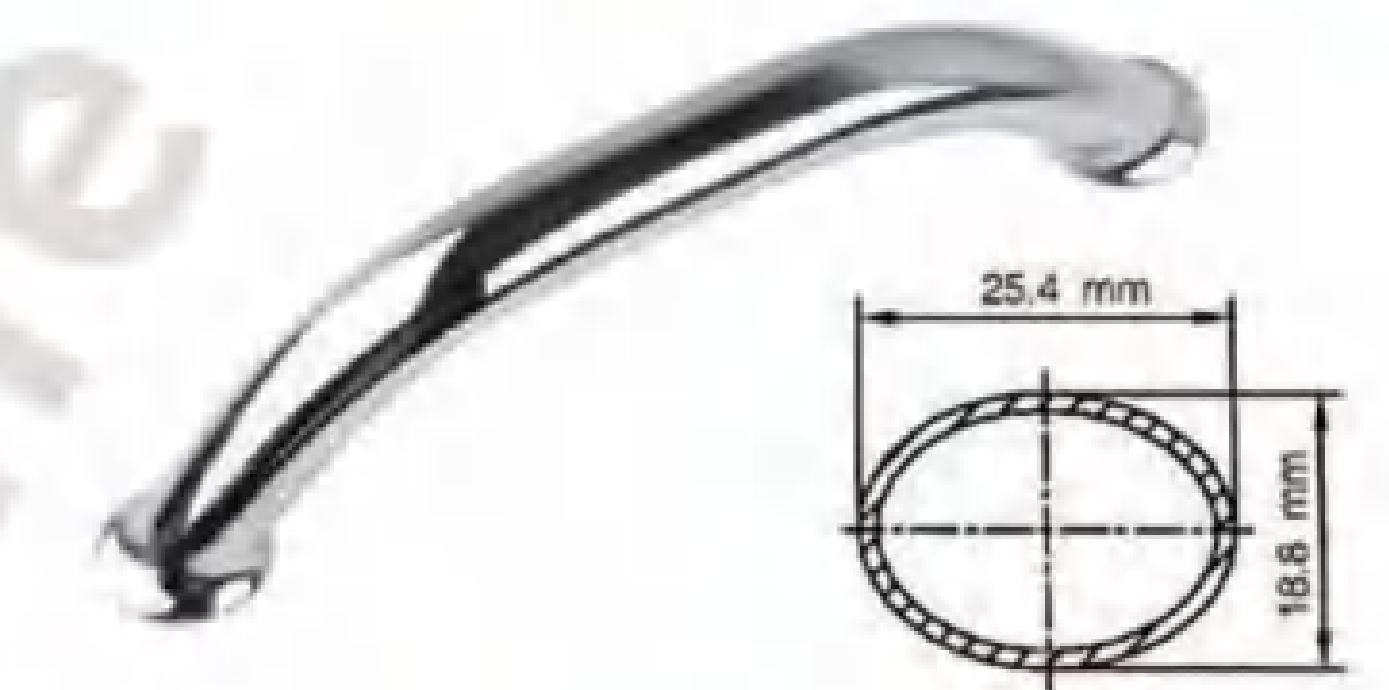
Code	Overall length	Base Size	Tube Dia
ALS-RH-2212	12"	2.48"x1.26"(63x32mm)	1"x3/4"(25.4x18.8mm)
ALS-RH-2216	16"	2.48"x1.26"(63x32mm)	1"x3/4"(25.4x18.8mm)
ALS-RH-2218	18"	2.48"x1.26"(63x32mm)	1"x3/4"(25.4x18.8mm)

S/S HEAVY DUTY OVAL HANDRAIL
S/S重型椭圆形扶手



Code	Overall length	Tube Dia
ALS-RH-2385	8-5/8"	1"x3/4"(25.4x18.8mm)
ALS-RH-2312	12"	1"x3/4"(25.4x18.8mm)
ALS-RH-2316	16"	1"x3/4"(25.4x18.8mm)
ALS-RH-2318	18"	1"x3/4"(25.4x18.8mm)
ALS-RH-2324	24"	1"x3/4"(25.4x18.8mm)

316 HEAVY DUTY OVAL HANDRAIL
316重型椭圆形扶手



Code	Overall length	Tube Dia
ALS-RH-2485	8-5/8"	1"3x4"(25.4x18.8mm)
ALS-RH-2412	12"	1"3x4"(25.4x18.8mm)
ALS-RH-2416	16"	1"3x4"(25.4x18.8mm)
ALS-RH-2418	18"	1"3x4"(25.4x18.8mm)
ALS-RH-2424	24"	1"3x4"(25.4x18.8mm)

316 ROUND HANDRAILWITH FINGER GRIP
316圆形手柄带手指夹



Code	Overall length	Tube Dia
ALS-RH-2510	10-1/4"(250mm)	1"x3/4"(25.4x18.8mm)
ALS-RH-2514	14"(350mm)	1"x3/4"(25.4x18.8mm)
ALS-RH-2518	18"(450mm)	1"x3/4"(25.4x18.8mm)
ALS-RH-2520	20"(500mm)	1"x3/4"(25.4x18.8mm)
ALS-RH-2525	25-3/4"(655mm)	1"x3/4"(25.4x18.8mm)

316 CASTED OVAL HANDRAIL, HEAVY
316重型铸造椭圆形把手



Code	Length	Tube Dia	Stud
ALS-RH-2612	12"	13x13mm	M6
ALS-RH-2618	18"	13x13mm	M6
ALS-RH-2624	24"	13x13mm	M6
ALS-RH-2718	18"	20x40mm	M6
ALS-RH-2724	24"	20x40mm	M6
ALS-RH-2730	30"	20x40mm	M6
ALS-RH-2736	36"	20x40mm	M6
ALS-RH-2748	48"	20x40mm	M6
ALS-RH-2760	60"	20x40mm	M6

316 316 STAINLESS STEELHANDRAIL
316不锈钢扶手



Code	LengthxHeight	Diameter
ALS-RH-2825	270x130mm	25mm
ALS-RH-2925	270x130mm	25mm

S.S MOTOR BRACKET



Item No.	MOTOR	BRACKET
ALS7952S	UP TO 7.5HP OR 20KG	BLACK PLASTIC PAD
ALS7952S	UP TO 7.5HP OR 20KG	WOOD PAD
ALS7952S	UP TO 7.5HP OR 20KG	BLACK PLASTIC PAD
ALS7952S	UP TO 7.5HP OR 20KG	BLACK PLASTIC PAD

MOTOR BRACKET,ALUMINUM



Item No.	MOTOR	BRACKET
ALS7953AW	15HP OR 30KG	WOOD PAD
ALS7953AA	15HP OR 30KG	BLACK PLASTIC PAD



HATCHES

<p>ALS270-375-01 H: 270 mm L: 370 mm H1: 191 mm L1: 289 mm</p>	<p>ALS370-375-01 H: 370 mm L: 375mm H1: 290 mm L1: 295 mm</p>
<p>ALS315-440-01 H: 315 mm L: 440 mm H1: 240 mm L1: 358 mm</p>	<p>ALS245-607-01 H: 245 mm L: 607 mm H1:521 mm L1: 168 mm</p>
<p>ALS354-607-01 H: 354 mm L: 607 mm H1: 277 mm L1: 521 mm</p>	<p>ALS460-520-01 H: 460 mm L: 520 mm H1: 383 mm L1: 436 mm</p>



MARINE HATCH

ABS DECK INSPECTION PLATE

ABS材质甲板圆盘

BOAT/RV HATCHES

船用/房车舱盖



MARINE PORTHOLE

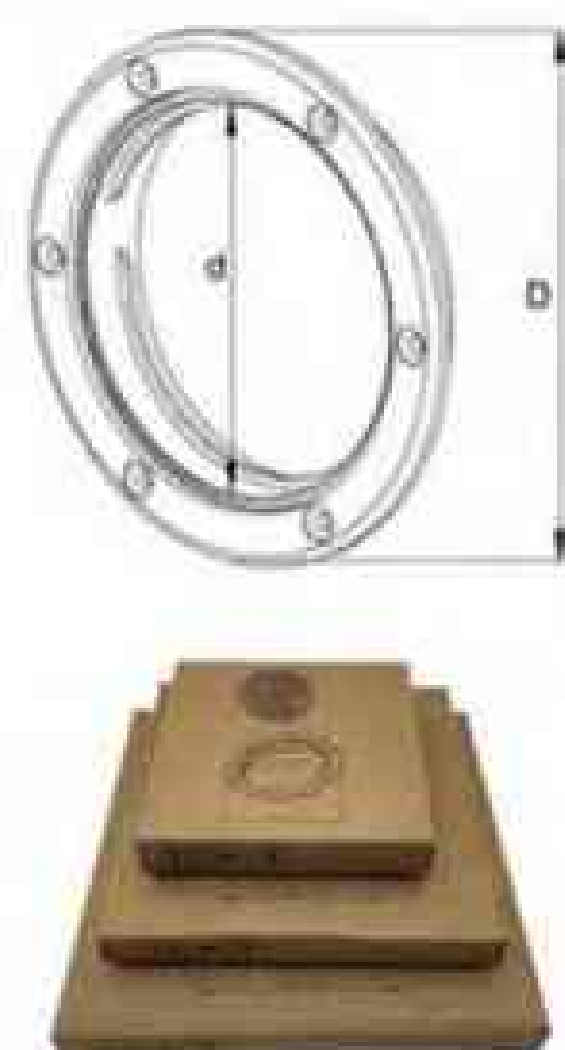
4MM THICK TEMPERED GLASS

4毫米厚钢化玻璃

SHIPBOARD / RV PORTHOLE

船用/房车舷窗

ABS DECK INSPECTION PLATE
ABS甲板盖



Code	Color	Size	d mm	D mm
ALS-004-01	White	4"	101	143
ALS-006-01	White	6"	151	198
ALS-008-01	White	8"	180	250

INDEPENDENT PACKING BOX

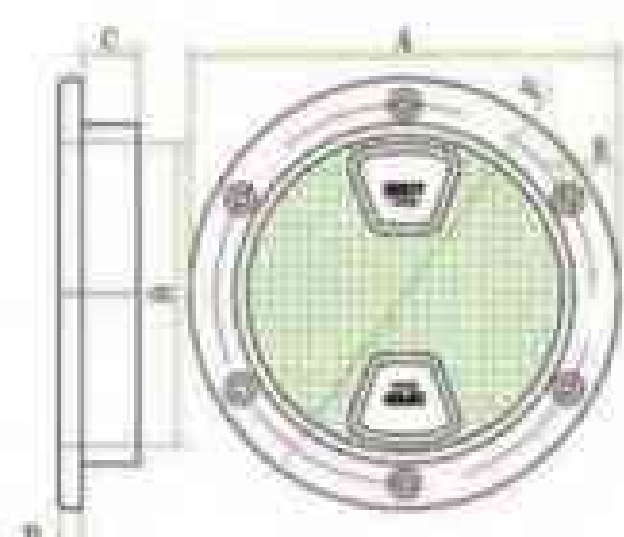
ABS DECK INSPECTION PLATE
ABS甲板盖



Code	Color	Size	d mm	D mm
ALS-104-01	Black	4"	101	143
ALS-106-01	Black	6"	151	198
ALS-108-01	Black	8"	180	250

INDEPENDENT PACKING BOX

ABS DECK INSPECTION PLATE
ABS甲板盖



Code	A mm	B mm	C mm	D mm	F mm	Size
ALS1301-4	143	101	19	7.5	126	4 inch
ALS1301-6	198	151	16.5	8.5	179	6 inch
ALS1301-8	250	180	19	9.5	230	8 inch

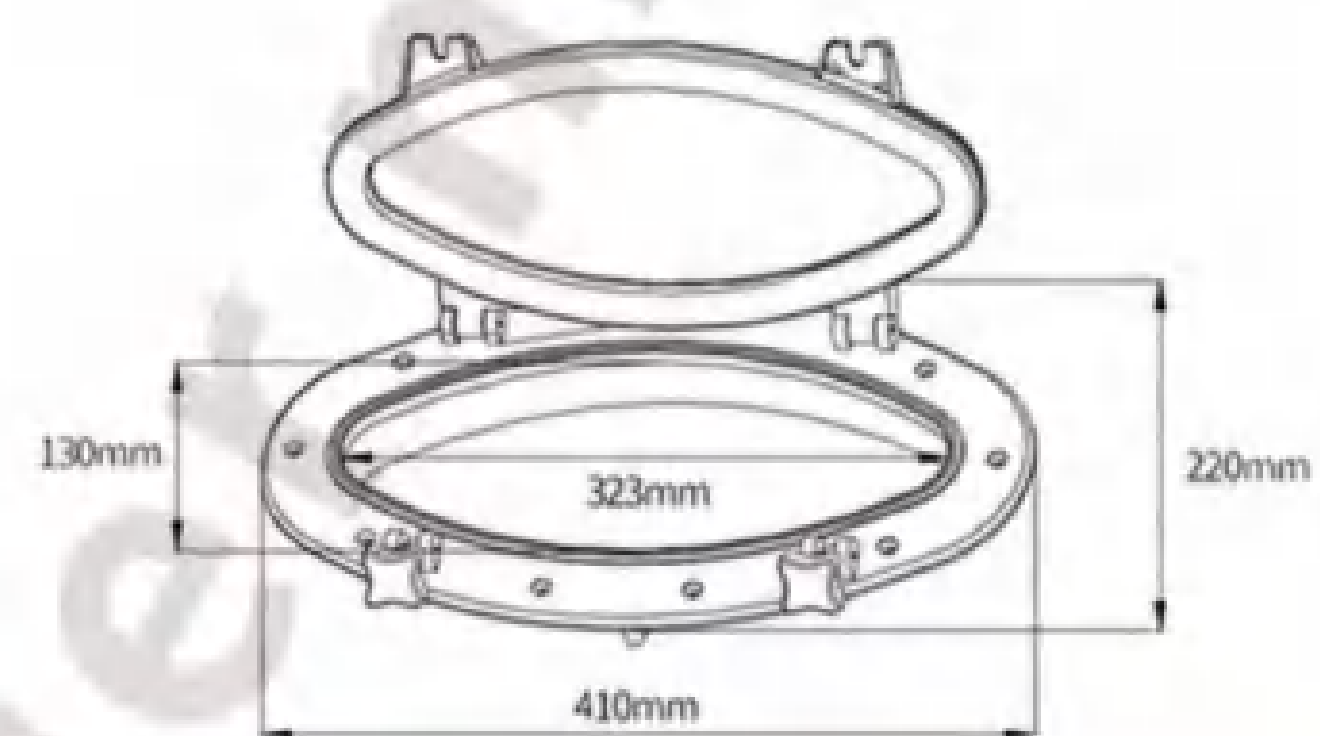
PORTHOLE

Code	Size mm	Color
ALSPP1-01	210	Black
ALSPP1-02	260	Black

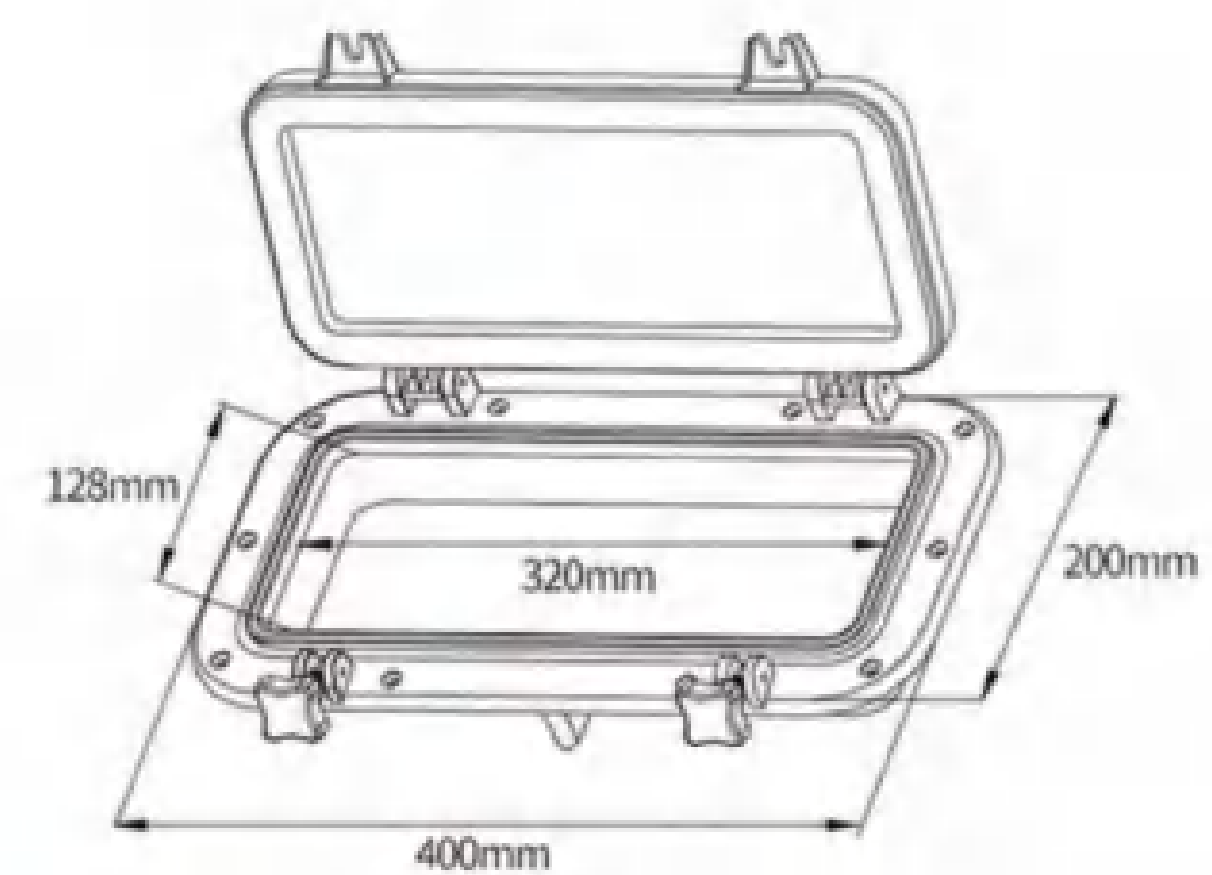


Code	Size mm	Color
ALSPP2-01	210	White
ALSPP2-02	260	White

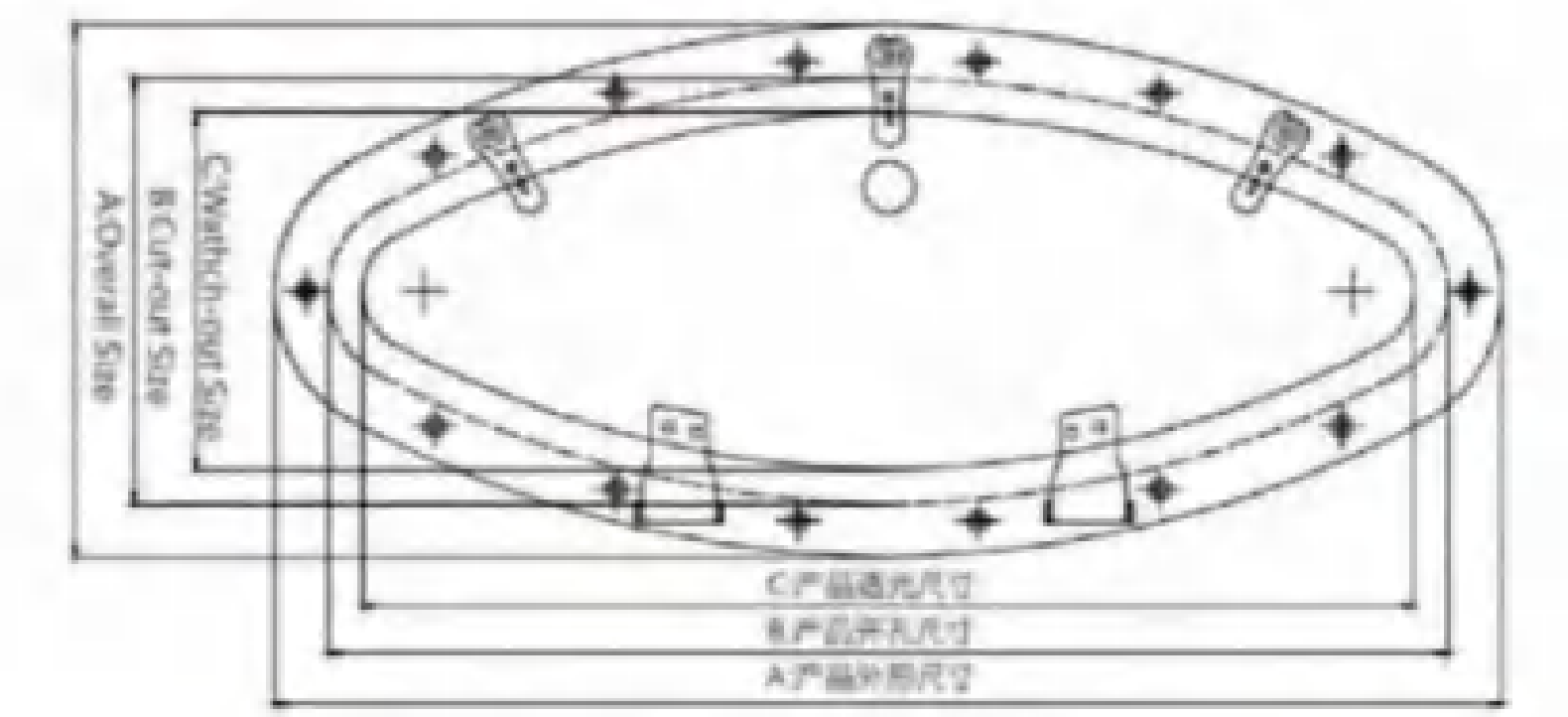




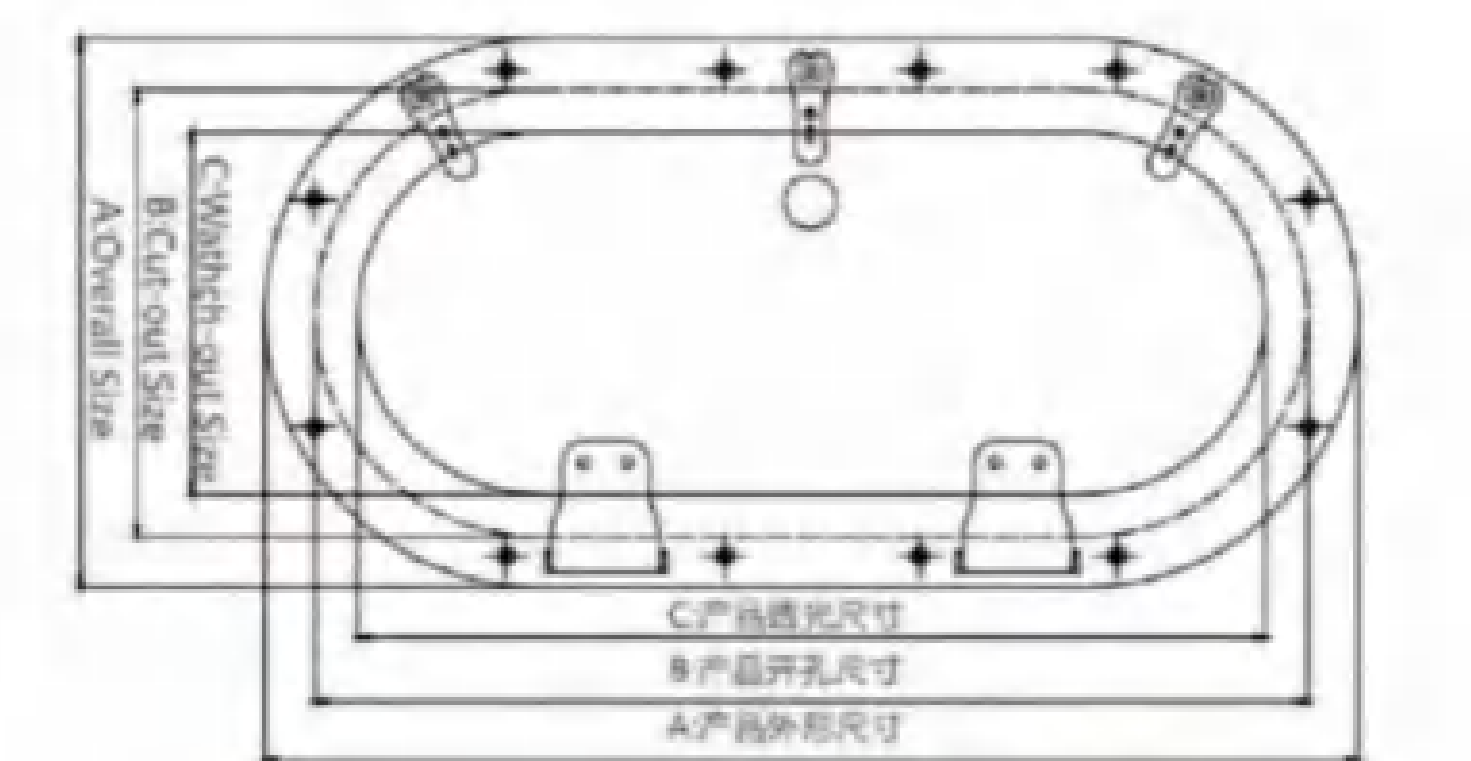
Code	Shape	Color
ALSPP1-03	Oval shape porthole	White
ALSPP1-03	Oval shape porthole	Black



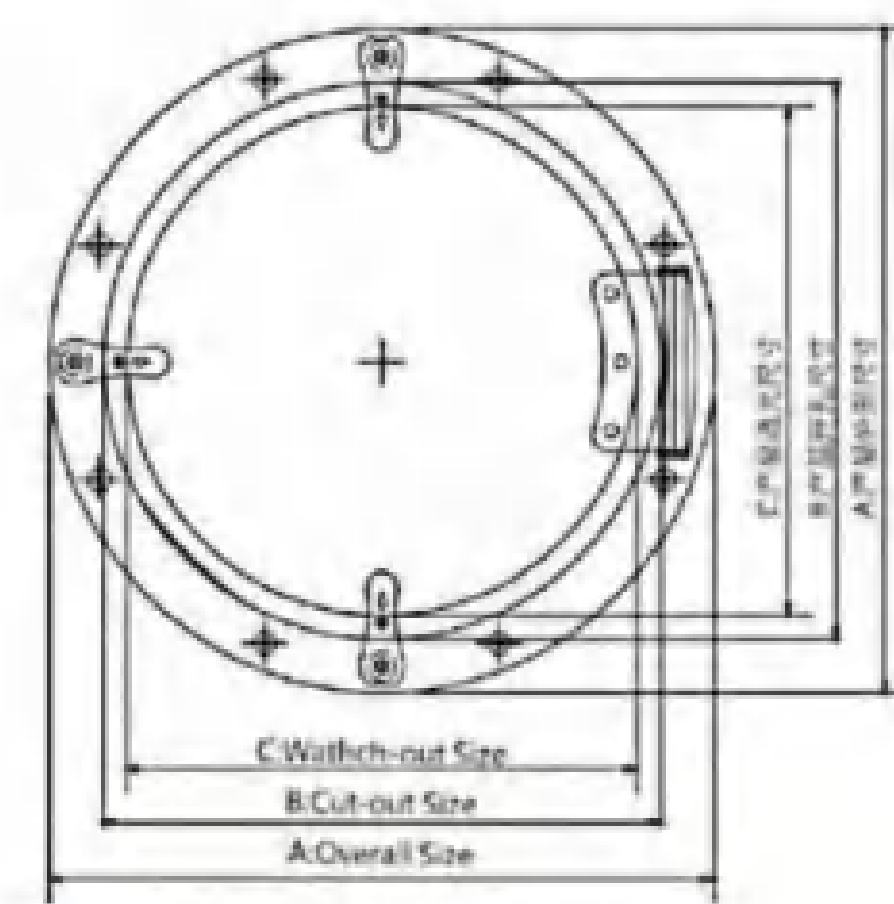
Code	Shape	Color
ALSPP1-04	Rectangular shape porthole	White
ALSPP2-04	Rectangular shape porthole	Black



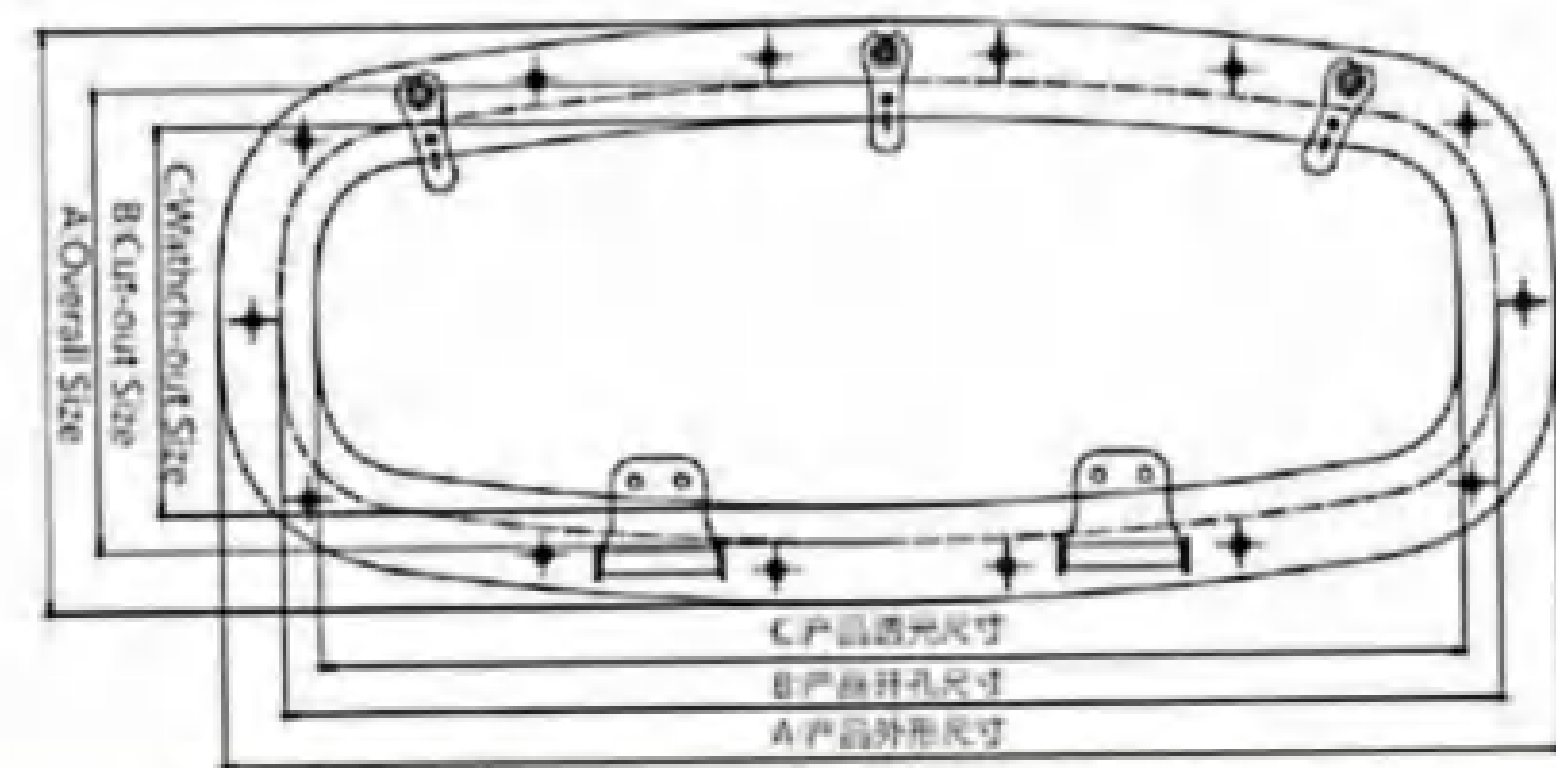
Standard Model (S) :for FRP/GRP/WOOD boat 标准型(S): 适合玻璃钢船/木船/各类房车		Super Thin Model (ST) :for Aluminium/Steel boat 超级薄款型(ST): 适合铝合金船/玻璃钢船/壁厚较薄的房车	
Item Code 产品名称	Overall Size(mm) 总体尺寸	Cut-out Size(mm) 开口尺寸	Suitable Hull Thickness (mm) 适合壁厚
ALS-Eye-S-S	150X345	102X296	26-36
ALS-Eye-S-ST			6-16
ALS-Eye-M-S	200X460	148X408	26-36
ALS-Eye-M-ST			6-16
ALS-Eye-B-S	250X575	203X526	26-36
ALS-Eye-B-ST			6-16



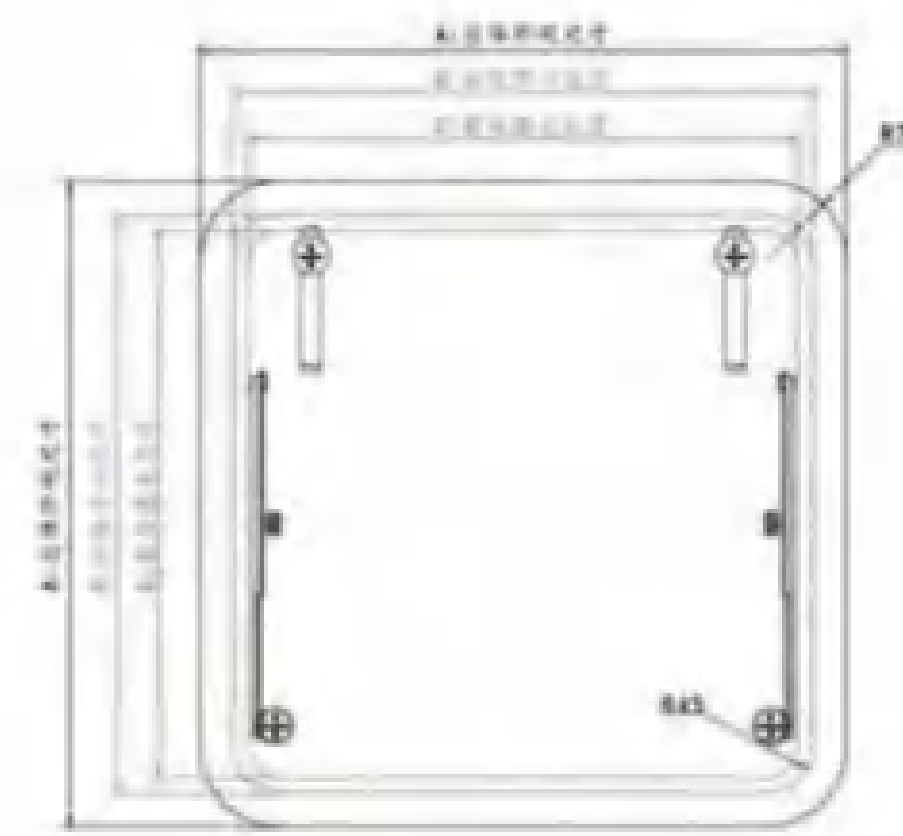
Standard Model (S) :for FRP/GRP/WOOD boat 标准型(S): 适合玻璃钢船/木船/各类房车		Super Thin Model (ST) :for Aluminium/Steel boat 超级薄款型(ST): 适合铝合金船/玻璃钢船/壁厚较薄的房车	
Item Code 产品名称	Overall Size(mm) 总体尺寸	Cut-out Size(mm) 开口尺寸	Suitable Hull Thickness (mm) 适合壁厚
ALS-Oval-S-S	150X345	101X297	26-36
ALS-Oval-S-ST			6-16
ALS-Oval-M-S	200X420	150X350	26-36
ALS-Oval-M-ST			6-16
ALS-Oval-B-S	250X560	202X511	26-36
ALS-Oval-B-ST			6-16



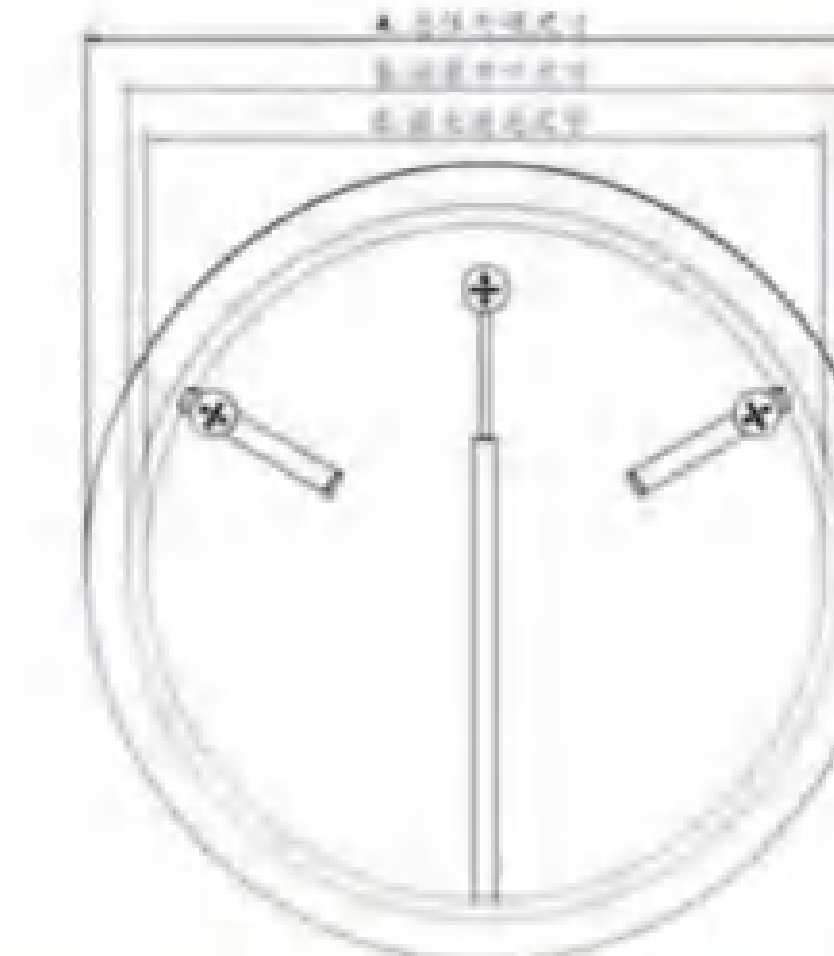
Standard Model (S) :for FRP/GRP/WOOD boat 标准型(S): 适合玻璃钢船/木船/各类房车		Super Thin Model (ST) :for Aluminium/Steel boat 超级薄款型(ST): 适合铝合金船/玻璃钢船/壁厚较薄的房车	
Item Code 产品名称	Overall Size(mm) 总体尺寸	Cut-out Size(mm) 开口尺寸	Suitable Hull Thickness (mm) 适合壁厚
ALS-ROUND-S-S	D200	D161	22-32
ALS-ROUND-S-ST			6-16
ALS-ROUND-M-S	D250	D205	28-38
ALS-ROUND-M-ST			6-16
ALS-ROUND-B-S	D300	D260	22-32
ALS-ROUND-B-ST			6-16



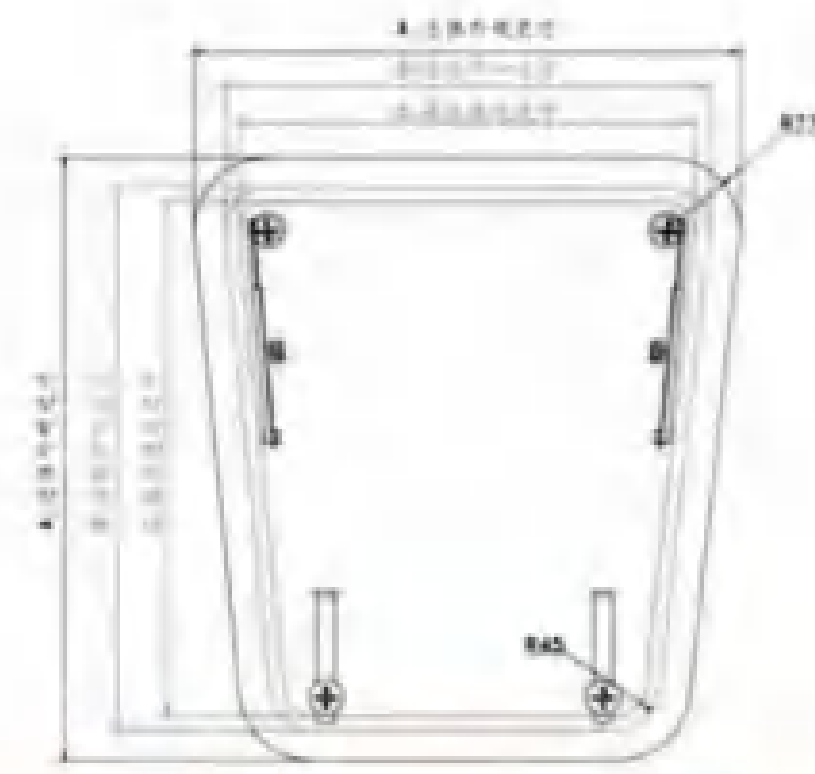
Standard Model (S) :for FRP/GRP/WOOD boat 标准型(S): 适合玻璃钢船/木船/各类房车		Super Thin Model (ST) :for Aluminium/Steel boat 超级薄款型(ST): 适合铝合金船/玻璃钢船/壁厚较薄的房车	
Item Code 产品名称	Overall Size(mm) 总体尺寸	Cut-out Size(mm) 开口尺寸	Suitable Hull Thickness (mm) 适合壁厚
ALS-Rectangular-S-S	150x345	102x296	26-36
ALS-Rectangular-S-ST			6-16
ALS-Rectangular-M-S	200x460	152x411	26-36
ALS-Rectangular-M-ST			6-16
ALS-Rectangular-B-S	250x575	202x526	26-36
ALS-Rectangular-B-ST			6-16



Standard Model (S) :for FRP/GRP/WOOD boat 标准型(S): 适合玻璃钢船/木船/各类房车		Super Thin Model (ST) :for Aluminium/Steel boat 超级薄款型(ST): 适合铝合金船/玻璃钢船/壁厚较薄的房车		
Item Code 产品名称	Overall Size(mm) 总体尺寸	Cut-out Size(mm) 开口尺寸	Suitable Hull Thickness (mm) 适合壁厚	
ALS375x375	375x375	310x310xR45	33-55	3-23
ALS425x425	425x425	360x360xR45	33-55	3-23
ALS475x475	475x475	410x410xR45	33-55	3-23
ALS525x525	525x525	460x460xR45	33-55	3-23
ALS575x575	575x575	510x510xR45	33-55	3-23
ALS625x625	625x625	560x560xR45	33-55	3-23
ALS675x675	675x675	610x610xR45	33-55	3-23



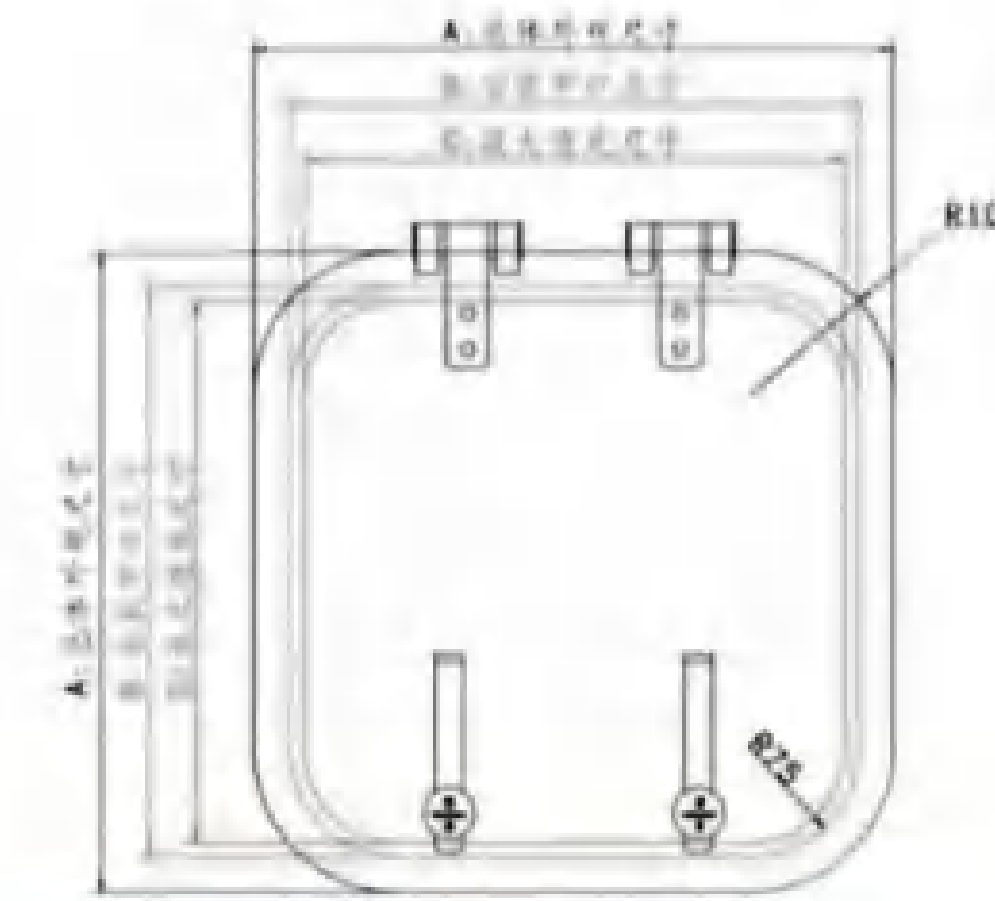
Standard Model (S) :for FRP/GRP/WOOD boat 标准型(S): 适合玻璃钢船/木船/各类房车		Super Thin Model (ST) :for Aluminium/Steel boat 超级薄款型(ST): 适合铝合金船/玻璃钢船/壁厚较薄的房车	
Item Code 产品名称	Overall Size(mm) 总体尺寸	Cut-out Size(mm) 开口尺寸	
ALS-D425	D425	D360	
ALS-D475	D475	D410	
ALS-D525	D525	D460	
ALS-D575	D575	D510	
ALS-D625	D625	D560	
ALS-D675	D675	D610	



Standard Model (S) :for FRP/GRP/WOOD boat
标准型(S): 适合玻璃钢船/木船/各类房车

Super Thin Model (ST) :for Aluminium/Steel boat
超级薄款型(ST): 适合铝合金船/玻璃钢船/壁厚较薄的房车

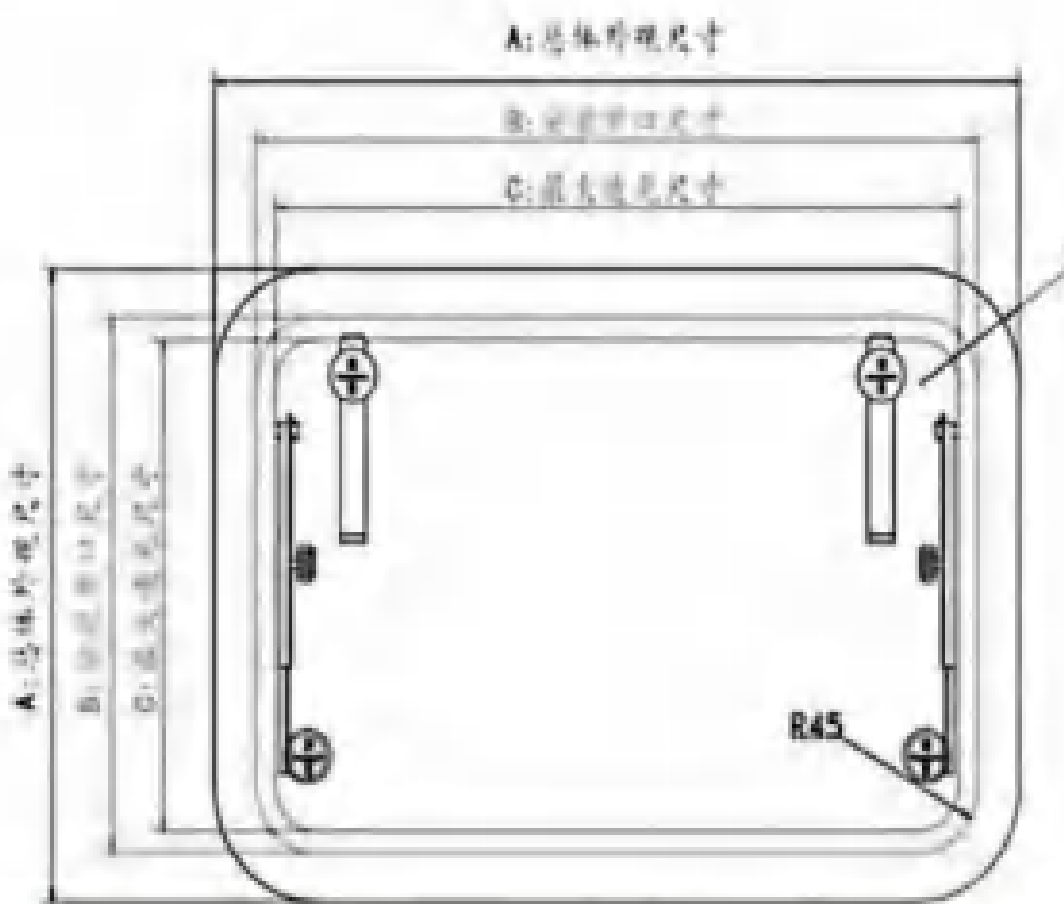
Item Code 产品名称	Overall Size(mm) 总体尺寸	Cut-out Size(mm) 开口尺寸
ALS-S	650x540	580x470
ALS-M	578x640	513x575
ALS-B	577x695	508x626



Standard Model (S) :for FRP/GRP/WOOD boat
标准型(S): 适合玻璃钢船/木船/各类房车

Super Thin Model (ST) :for Aluminium/Steel boat
超级薄款型(ST): 适合铝合金船/玻璃钢船/壁厚较薄的房车

Item Code 产品名称	Overall Size(mm) 总体尺寸	Cut-out Size(mm) 开口尺寸	Suitable Hull Thickness (mm) 适合壁厚	
ALS-FH350x350	350x350	300x300xR75	23-50	3-23
ALS-FH400x400	400x400	350x350xR75	28-50	3-23
ALS-FH450x450	450x450	400x400xR75	28-50	3-23
ALS-FH500x500	500x500	450x450xR75	28-50	3-23
ALS-FH550x550	550x550	500x500xR75	28-50	3-23



Standard Model (S) :for FRP/GRP/WOOD boat
标准型(S): 适合玻璃钢船/木船/各类房车

Super Thin Model (ST) :for Aluminium/Steel boat
超级薄款型(ST): 适合铝合金船/玻璃钢船/壁厚较薄的房车

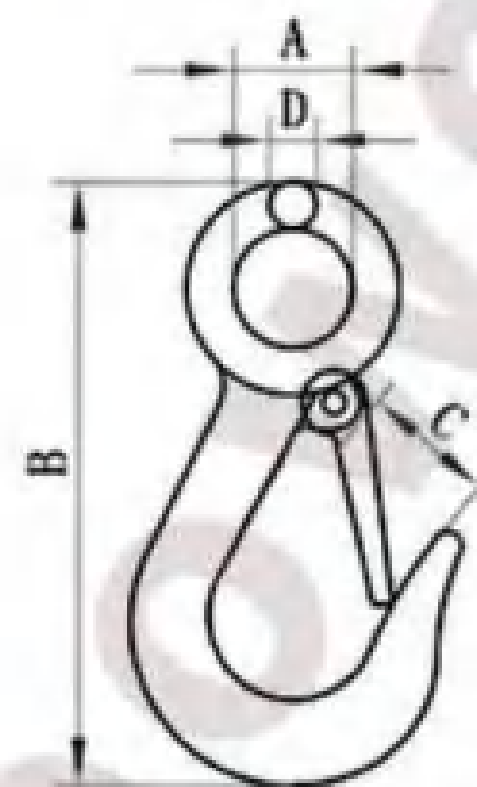
Item Code 产品名称	Overall Size(mm) 总体尺寸	Cut-out Size(mm) 开口尺寸	Suitable Hull Thickness (mm) 适合壁厚	
ALS425x525	425x525	360x460xR45	33-55	3-23
ALS425x575	425x575	360x510xR45	33-55	3-23
ALS425x625	425x625	360x560xR45	33-55	3-23
ALS425x675	425x675	360x610xR45	33-55	3-23
ALS475x575	475x575	410x510xR45	33-55	3-23
ALS475x625	475x625	410x560xR45	33-55	3-23
ALS475x675	475x675	410x610xR45	33-55	3-23
ALS525x625	525x625	460x560xR45	33-55	3-23
ALS525x675	525x675	460x610xR45	33-55	3-23
ALS575x675	575x675	510x610xR45	33-55	3-23





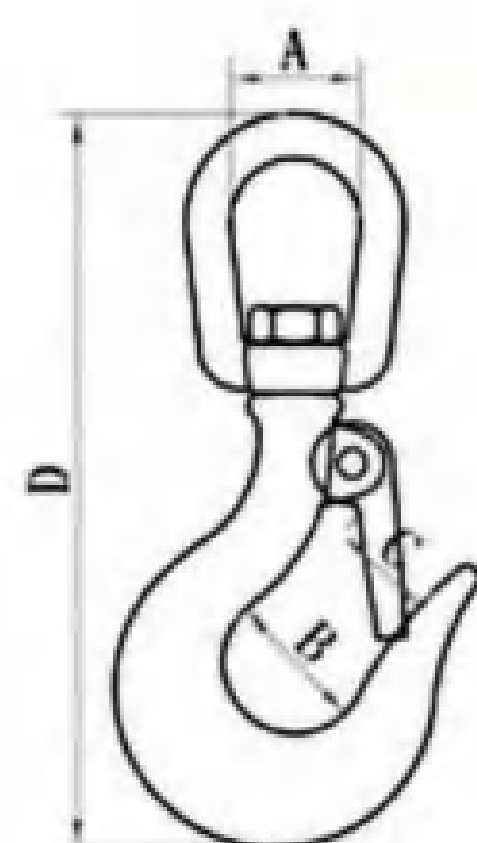
CARGO HOOK

LARGE EYE CRANE HOOK
大眼货钩



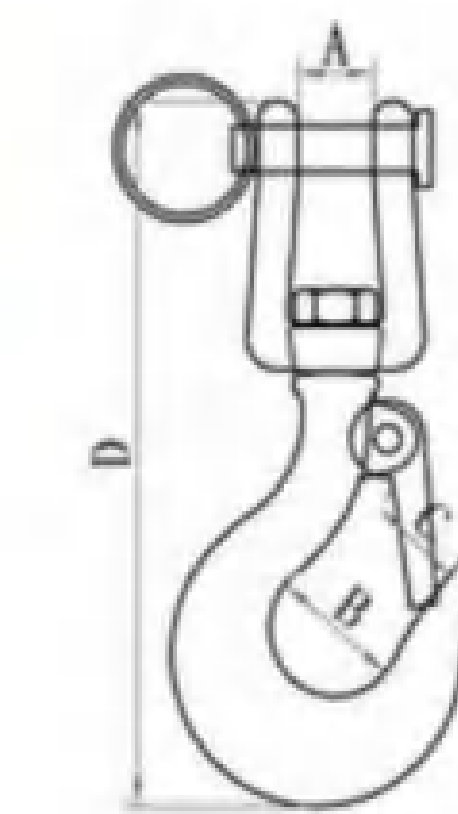
Code	Size	Amm	Bmm	Cmm	Dmm	WLL(kg)	WT(kg)
ALS6101-0.2	0.2T	18	92	18	7	200	0.091
ALS6101-0.3	0.3T	19	102	17	7.5	300	0.127
ALS6101-0.5	0.5T	28	119	17	9.5	500	0.210

SWIVEL EYE CRANE HOOK
圈式旋转货钩



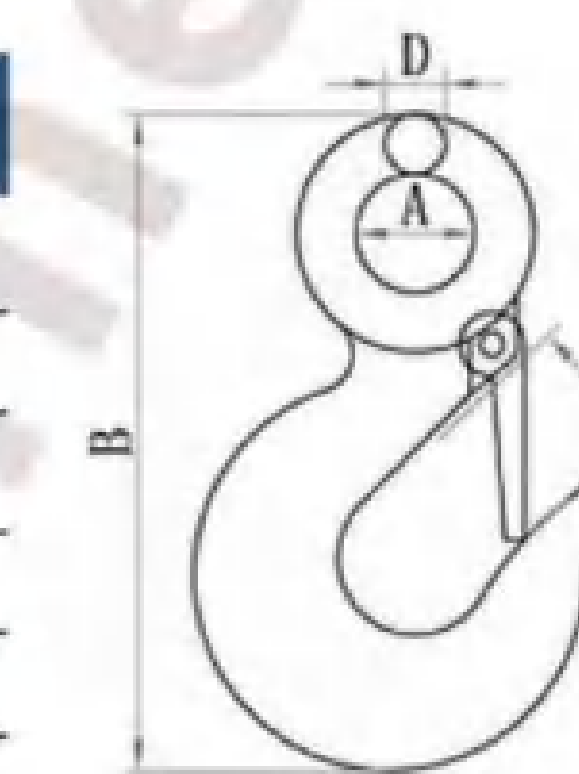
Code	Size	Amm	Bmm	Cmm	Dmm	WLL(kg)	WT(kg)
ALS6102-150	3/16"	15.8	17.6	11	90	150	0.082
ALS6102-350	1/4"	22	23.9	16.9	114	350	0.155
ALS6102-650	5/16"	27	26.7	20.5	138	650	0.237
ALS6102-1000	3/8"	28	32.8	23.5	158	1000	0.436
ALS6102-1500	1/2"	36	37.8	31	190	1500	0.711

SWIBEL JAW CRANE HOOK
叉式旋转货钩



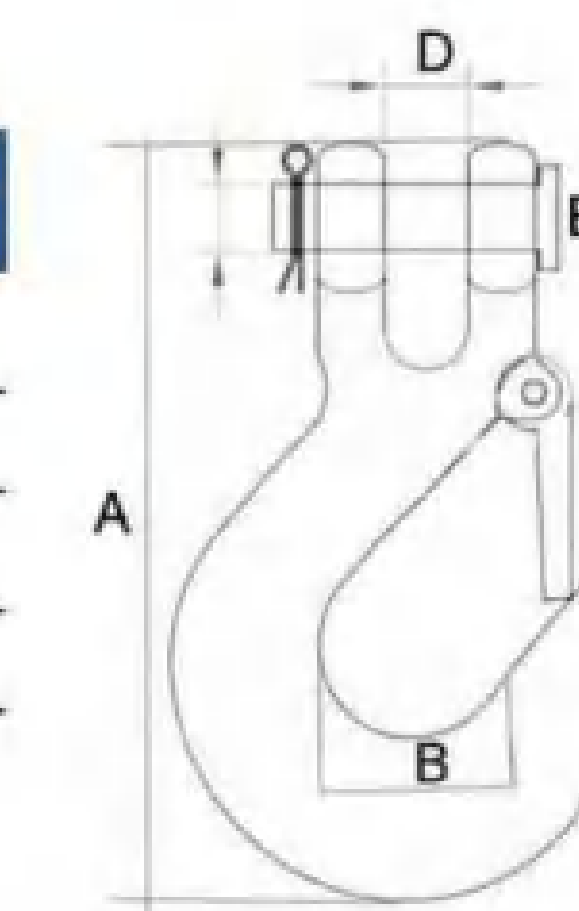
Code	Size	Amm	Bmm	Cmm	Dmm	WLL(kg)	WT(kg)
ALS6103-150	3/16"	9.5	17.6	11	90	150	0.090
ALS6103-350	1/4"	12.5	24	16.9	114	350	0.167
ALS6103-650	5/16"	15	26	20.5	138	650	0.259
ALS6103-1000	3/8"	17.5	32.8	23	158	1000	0.456
ALS6103-1500	1/2"	36	37.8	31	190	1500	0.748

S320 CRANE HOOK
S320 货钩



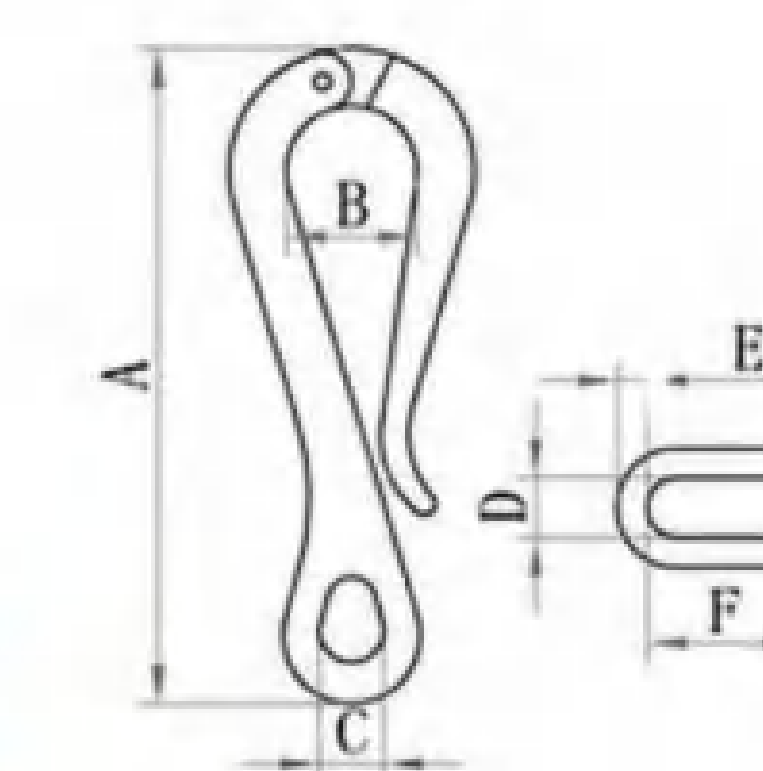
Code	Size	Amm	Bmm	Cmm	Dmm	WLL(kg)	WT(kg)
ALS6104-0.5	0.5T	16.5	90	16	8	500	0.111
ALS6104-0.75	0.75T	18.5	101.5	18.5	9	750	0.204
ALS6104-1	1.0T	23	114.5	21	11	1000	0.286
ALS6104-1.5	1.5T	28	129.5	21.5	12	1500	0.418
ALS6104-2	2.0T	32	153	26	15	2000	0.656
ALS6104-3	3.0T	38	182	31.5	17.5	3000	1.257

CRANE HOOK WITH LATCH
羊角滑钩



Code	Size	Amm	Bmm	Cmm	Dmm	Emm	WT(kg)
ALS6105-0.5	1/4"	99	22	14.5	11	10	0.218
ALS6105-0.7	5/16"	113.5	25	18.5	12.5	12	0.328
ALS6105-0.9	3/8"	129.5	28	22	14.5	14	0.468
ALS6105-1.5	1/2"	155.5	33.5	27	16	16	0.778

QUICK RELEASE HOOK
释放钩



Code	Size	Amm	Bmm	Cmm	Dmm	Emm	Fmm	WT(kg)
ALS6109-4	4"	100	20	10	9	4.5	23	0.090

OVAL SWIVEL SNAP HOOK
椭圆环单头钩



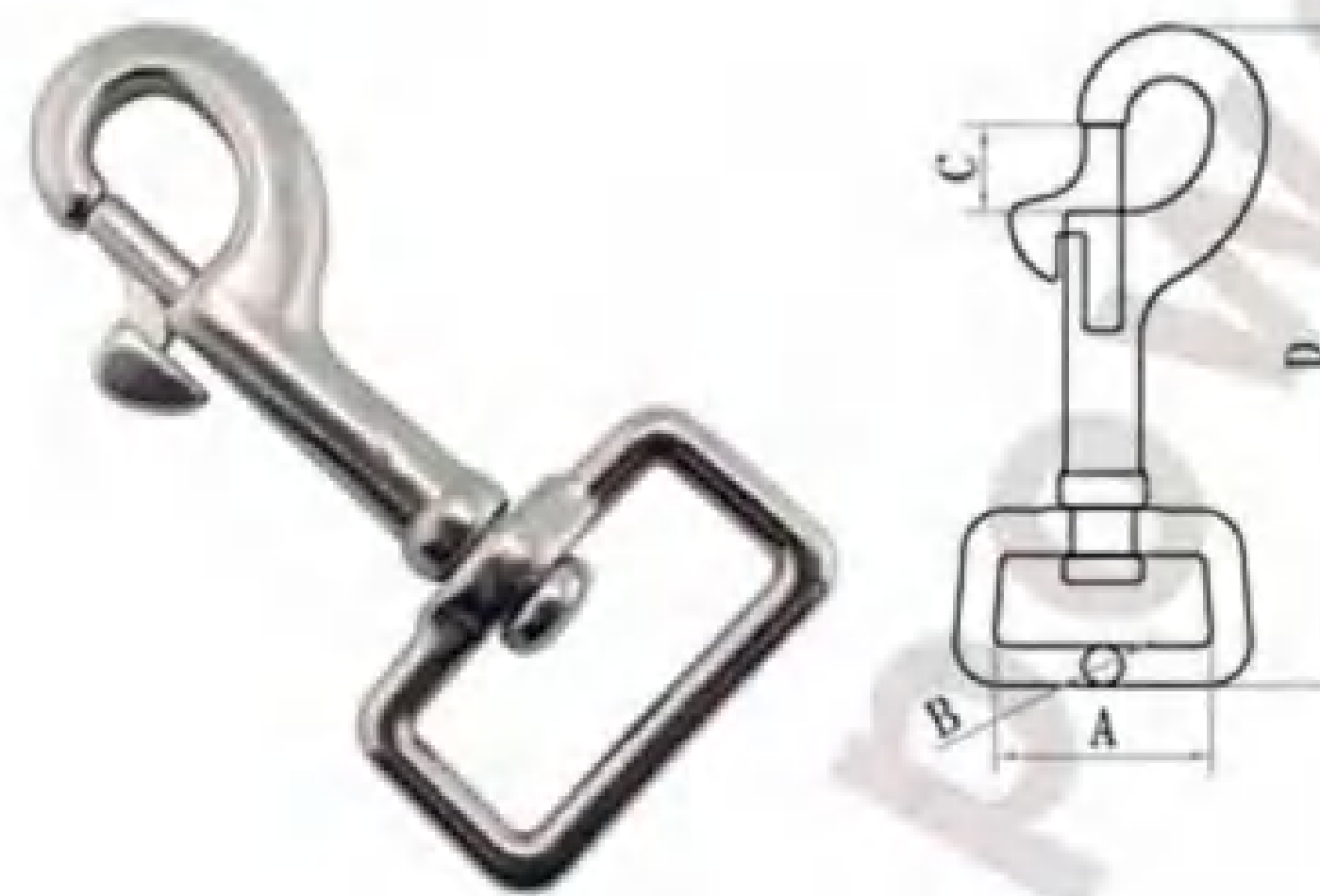
Code	Size	Amm	Bmm	Cmm	Dmm	WLL(kg)	WT(kg)
ALS6201-1	3/8"*65	11.5	3.5	9	65	30	0.022
ALS6201-2	1/2"*72	13.5	4	9.5	72	50	0.029
ALS6201-3	5/8"*82	17.5	4.5	10	82	100	0.042
ALS6201-4	3/4"*91	21.5	5	11.5	91	120	0.048
ALS6201-5	1"*100	26.5	5.5	12	100	150	0.062
ALS6201-6	1-1/4"*126	34	6	14	126	180	0.099

ROUND RING SWIVEL SNAP HOOK
圆环单头钩



Code	Size	Amm	Bmm	Cmm	Dmm	WLL(kg)	WT(kg)
ALS6202-1	1/2"*63	14.5	3.5	9	63	30	0.022
ALS6202-2	5/8"*71	17.5	4	9.5	71	50	0.029
ALS6202-3	3/4"*81	22	4.5	10	81	100	0.042
ALS6202-4	1"*90	26	5	11	90	120	0.048
ALS6202-5	1-1/8"*97	29	5.5	12	97	150	0.061
ALS6202-6	1-1/4"*119	34.5	6	14	119	180	0.095

SQUARE RING SWIVEL SNAP HOOK
方环单头钩



Code	Size	Amm	Bmm	Cmm	Dmm	WLL(kg)	WT(kg)
ALS6203-1	5/8"*59	17.5	3.5	9	59	30	0.022
ALS6203-2	3/4"*66	23.5	4	9.5	66	50	0.029
ALS6203-3	1"*73	25.5	4.5	10	73	100	0.042
ALS6203-4	1-1/8"*80	31.5	5	11	80	120	0.049
ALS6203-5	1-1/4"*85	36.5	5.5	12	85	150	0.061
ALS6203-6	1-1/2"*105	42.5	6	14	105	180	0.099

DOUBLE END SNAP HOOK
双头钩



Code	Size	Amm	Bmm	WLL(kg)	WT(kg)
ALS6204-65	65mm	65	7.5	30	0.030
ALS6204-76	76mm	76	8.5	40	0.040
ALS6204-90	90mm	90	10	50	0.060
ALS6204-100	100mm	100	10	90	0.070
ALS6204-115	115mm	115	12	110	0.098

EGG SHAPE SPRING HOOK
蛋形钩



Code	Size	Amm	Bmm	Cmm	Dmm	Emm	Fmm	WLL(kg)	WT(kg)
ALS6205-40	40mm	40	19	2	5.8	8.2	8.8	80	0.012
ALS6205-50	50mm	50	24	2.2	8.3	11.9	11.5	100	0.023
ALS6205-70	70mm	70	33	2.6	9.8	14.5	15.5	300	0.054
ALS6205-100	100mm	100	49	3.5	15.6	21.4	22.7	500	0.138

SWIVEL SNAP HOOK
万向钩



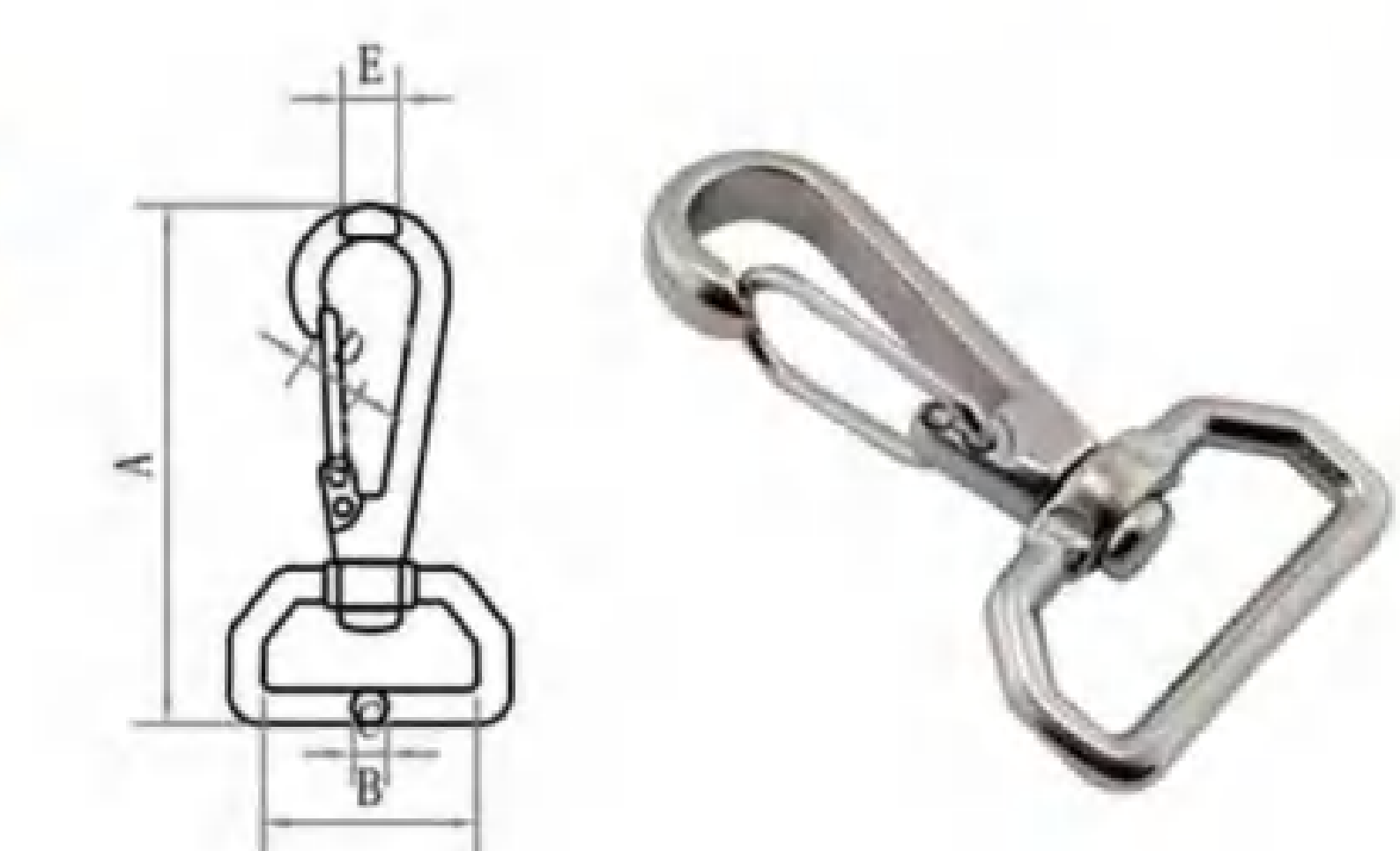
Code	Amm	Bmm	Cmm	WLL(kg)	WT(kg)
ALS6206-0	69	6.5	16	50	0.030
ALS6206-1	88	9	19	70	0.063
ALS6206-2	101	14	21	120	0.092
ALS6206-3	121	16	27	150	0.145

FIXED EYE SNAP HOOK
固定弹簧钩



Code	Amm	Bmm	Cmm	Dmm	WLL(kg)	WT(kg)
ALS6207-0	53	10	7	4	50	0.020
ALS6207-1	72	16	12	5	70	0.038
ALS6207-2	83	19	13	6	120	0.059
ALS6207-3	100	22	14	7	150	0.114

SQUARE SPRING SNAP HOOK
简易方环万向钩



Code	Size	Amm	Bmm	Cmm	Dmm	Emm	WLL(kg)	WT(kg)
ALS6208-1	1*65	66	27	4.2	9	12	60	0.028

BULL SWIVEL SNAP HOOK
牛头钩



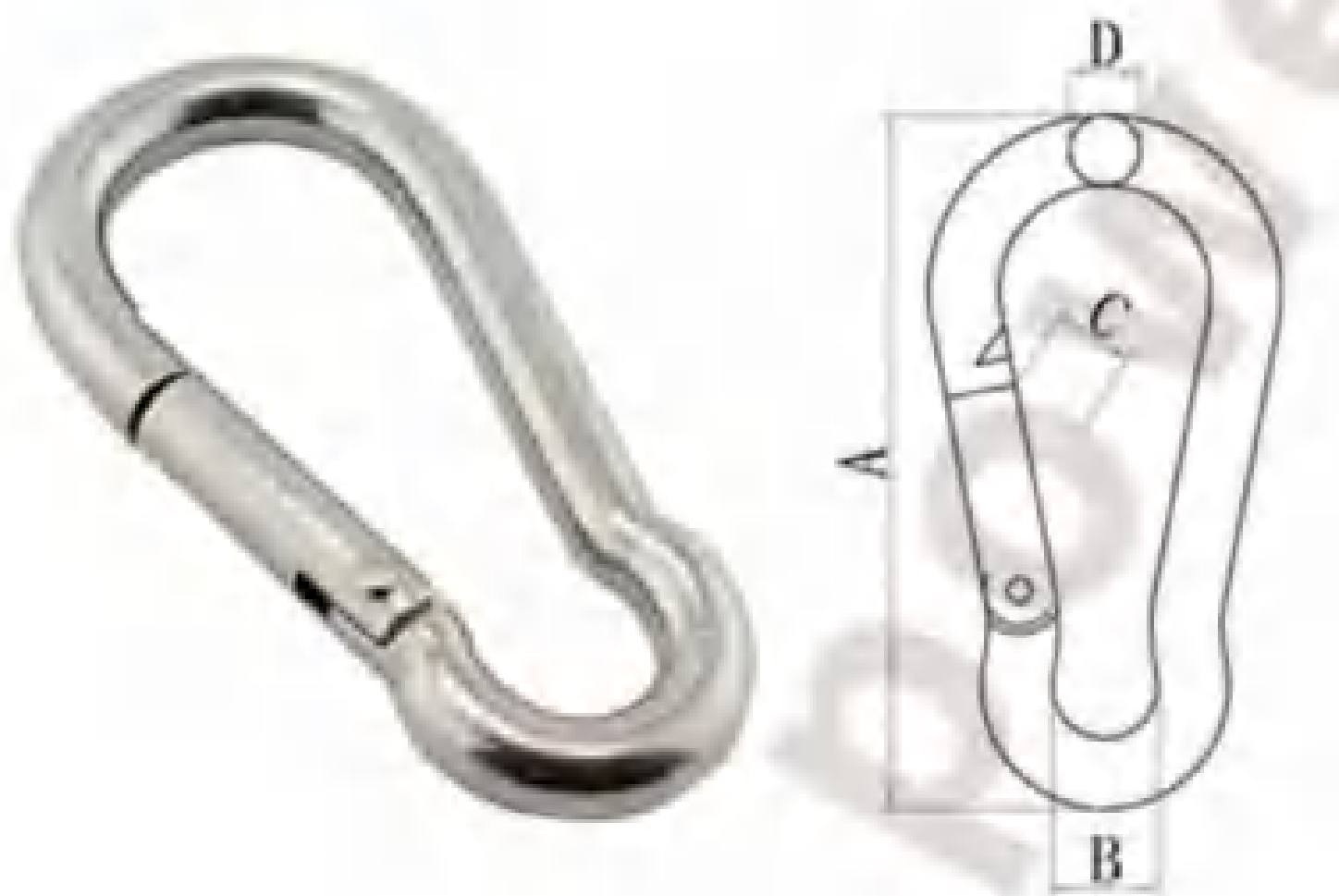
Code	Size	Amm	Bmm	Cmm	Dmm	Emm	WLL(kg)	WT(kg)
ALS6209-1	1*100	100	17.5	155	27	7	300	0.152

QUICK LINK
快速连接环



Code	Size	Amm	Bmm	Cmm	Dmm	WLL(kg)	WT(kg)
ALS6210-3.5	3.5mm	29	10	5	3.5	80	0.008
ALS6210-4	4mm	32	11.5	5.5	3.8	250	0.013
ALS6210-5	5mm	39	13	6.5	6.5	325	0.021
ALS6210-6	6mm	46	14.5	7.5	7.5	400	0.033
ALS6210-7	7mm	51	16.5	8.5	8.5	600	0.054
ALS6210-8	8mm	59	17.5	10.5	10.5	700	0.076
ALS6210-9	9mm	64	18	11.5	11.5	1000	0.104
ALS6210-10	10mm	70	20.5	12.5	12.5	1150	0.136
ALS6210-11	11mm	78	23	14	14	1200	0.216
ALS6210-12	12mm	83	24	14.5	14.5	1250	0.242
ALS6210-14	14mm	97	26.5	17	17	1400	0.352

CARABINER HOOK
登山扣



Code	Size	Amm	Bmm	Cmm	Dmm	WLL(kg)	WT(kg)
ALS6211-4	4X40	40	6.5	6	3.8	40	0.008
ALS6211-5	5X50	50	8	7	4.8	50	0.016
ALS6211-6	6X60	60	9	8	5.8	70	0.026
ALS6211-7	7X70	70	10.5	8	6.8	100	0.042
ALS6211-8	8X80	80	12	9	7.8	125	0.065
ALS6211-9	9X90	90	13	10	8.8	140	0.093
ALS6211-10	10X100	100	15	12	9.8	200	0.125
ALS6211-11	11X120	120	18	16	10.8	250	0.178
ALS6211-12	12X140	140	20	19	11.8	300	0.248
ALS6211-13	13X160	160	22	25	12.8	350	0.352
ALS6211-14	14X180	180	22	35	13.8	450	0.505

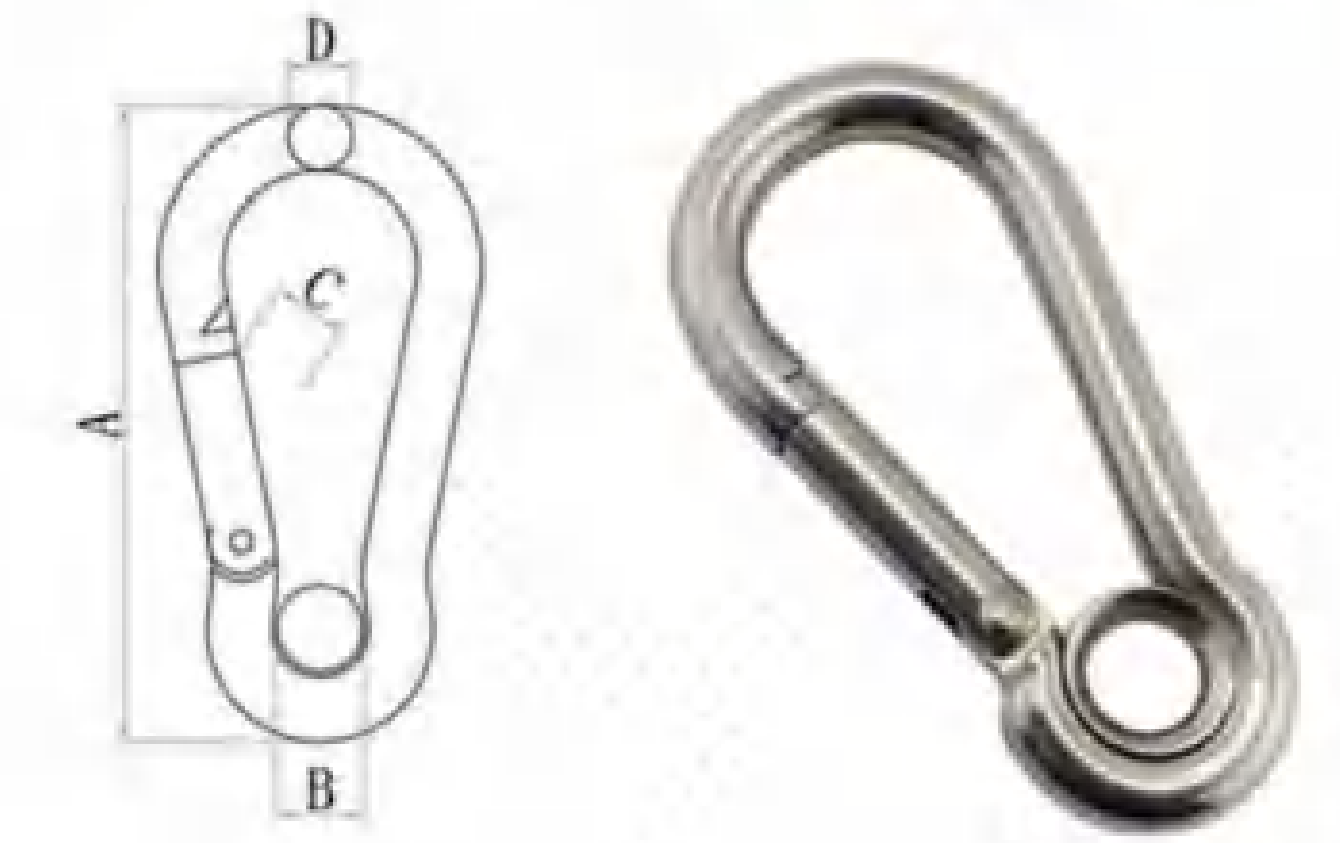
CARABINER HOOK WITH LOCK NUT
带螺母登山扣



Code	Size	Amm	Bmm	Cmm	Dmm	WLL(kg)	WT(kg)
ALS6212-4	4X40	40	6.5	6	3.8	40	0.009
ALS6212-5	5X50	50	8	7	4.8	50	0.018
ALS6212-6	6X60	60	9	8	5.8	70	0.029
ALS6212-7	7X70	70	10.5	8	6.8	100	0.047
ALS6212-8	8X80	80	12	9	7.8	125	0.068
ALS6212-9	9X90	90	13	10	8.8	140	0.98
ALS6212-10	10X100	100	15	12	9.8	200	0.135
ALS6212-11	11X120	120	18	16	10.8	250	0.189
ALS6212-12	12X140	140	20	19	11.8	300	0.269
ALS6212-13	13X160	160	22	25	12.8	350	0.365
ALS6212-14	14X180	180	22	35	13.8	450	0.515

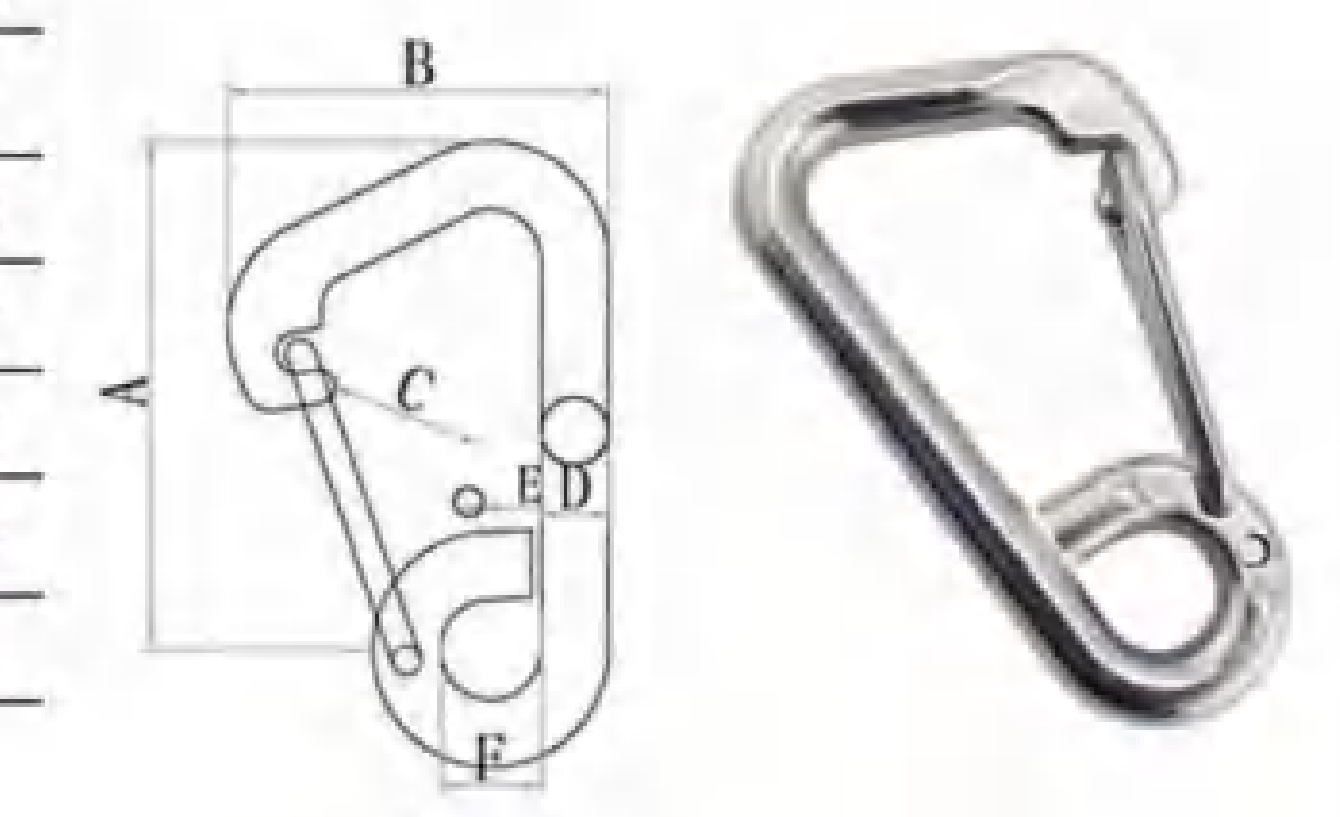
Code	Size	Amm	Bmm	Cmm	Dmm	WLL(kg)	WT(kg)
ALS6213-4	4X40	40	5	6	3.8	40	0.009
ALS6213-5	5X50	50	6.5	7	4.8	50	0.018
ALS6213-6	6X60	60	7.5	8	5.8	70	0.029
ALS6213-7	7X70	70	9	8	6.8	100	0.047
ALS6213-8	8X80	80	10	9	7.8	125	0.068
ALS6213-9	9X90	90	11	10	8.8	140	0.096
ALS6213-10	10X100	100	13	12	9.8	200	0.135
ALS6213-11	11X120	120	15	16	10.8	250	0.189
ALS6213-12	12X140	140	18	19	11.8	300	0.269
ALS6213-13	13X160	160	20	25	12.8	350	0.365
ALS6213-14	14X180	182	22	35	13.8	450	0.515

CARABINER HOOK WITH EYELET
带圈登山扣



Code	Size	Amm	Bmm	Cmm	Dmm	Emm	Fmm	WLL(kg)	WT(kg)
ALS6215-6	6X60	60	32	14	5.8	2.6	9	70	0.028
ALS6215-8	8X80	80	45	18	7.8	3	12	125	0.068
ALS6215-10	10X100	100	57	23	9.8	4	15	200	0.137
ALS6215-12	12X120	120	68	28	11.8	4.4	18	300	0.299
ALS6215-14	14X140	140	79	32	13.8	4.4	21	450	0.357
ALS6215-16	16X160	160	91	37	15.8	5	24	800	0.532
ALS6215-18	18X180	180	102	47	17.8	5	27	1000	0.742
ALS6215-20	20X200	200	120	59	19.8	5	29	1200	1.011

TRIGGER SWIVEL SNAP HOOK
剪刀钩



Code	Size	Amm	Bmm	Cmm	Dmm	Emm	WLL(kg)	WT(kg)
ALS6216-12	1/2*65	65	15.5	10.5	4.2	7	90	0.018

TRIGGER SWIVEL SNAP HOOK
剪刀钩



Code	Size	Amm	Bmm	Cmm	Dmm	Emm	WT(kg)
ALS6217-35	35mm	35	14.5	7	6.5	1.6	0.008

TRIGGER SEIVEL SNAP HOOK
简易方环万向钩

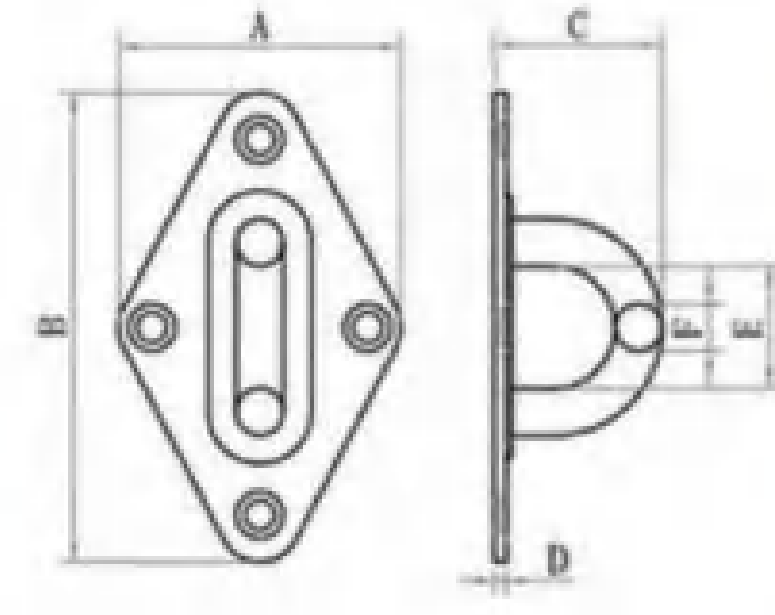


Code	Amm	Bmm	Cmm	Dmm	Emm	Fmm
ALS6218-4	4	40	11	1.7	7	32
ALS6218-5	5	50	13	2.0	9	44
ALS6218-6	6	58	16	2.5	10	44
ALS6218-8	8	63	17	3.6	13	47
ALS6218-10	10	77	22	4.6	16.5	51

TRIGGER SEIVEL SNAP HOOK
简易方环万向钩

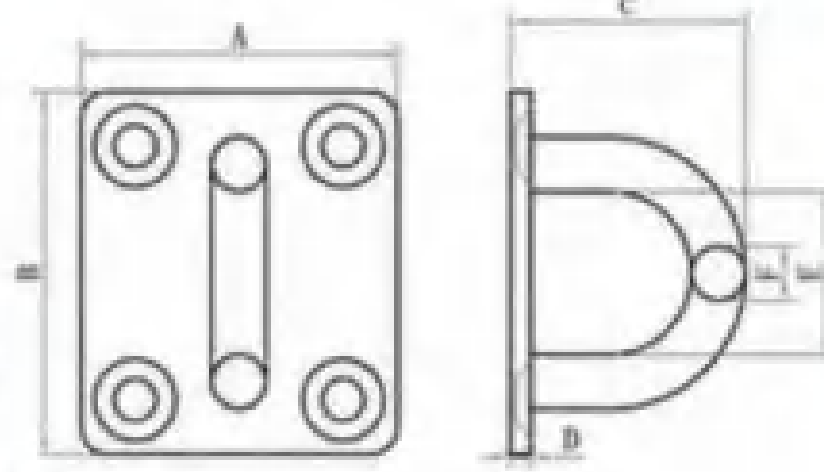


DIAMOND EYE PLATE
菱形门扣



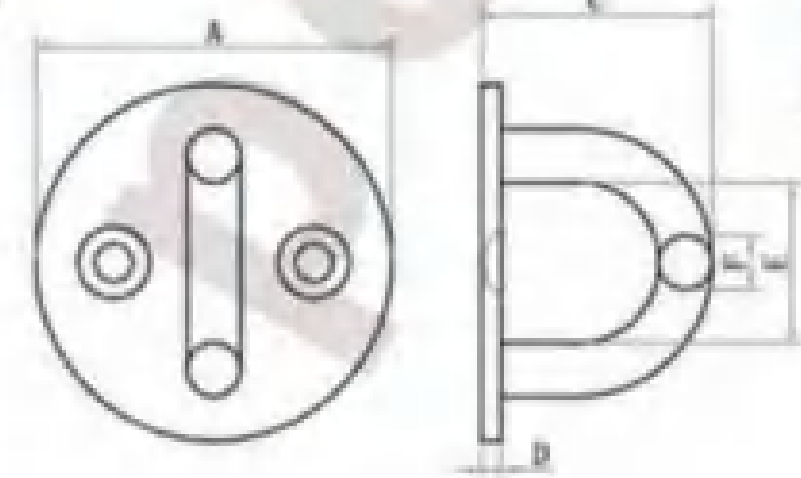
Code	Size	Amm	Bmm	Cmm	Dmm	Emm	Fmm	WT(kg)
ALS6301-5	5mm	36	60	21	2.5	14	5	0.029
ALS6301-6	6mm	40	65	26	2.5	16	6	0.038
ALS6301-8	8mm	50	80	32	3	20	8	0.069
ALS6301-10	10mm	60	100	38	3	26	10	0.120

SQUARE EYE PLATE
方形门扣



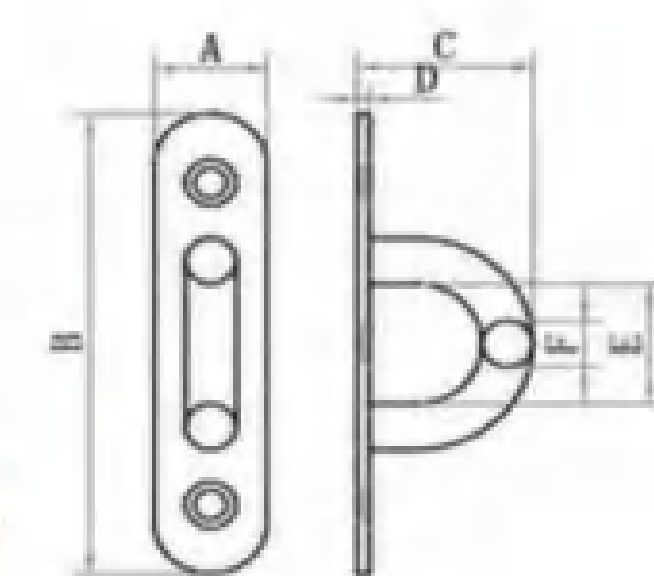
Code	Size	Amm	Bmm	Cmm	Dmm	Emm	Fmm	WT(kg)
ALS6302-5	5mm	30	35	21	2.5	14	5	0.029
ALS6302-6	6mm	35	40	26	2.5	16	6	0.035
ALS6302-8	8mm	40	50	32	3	20	8	0.068

ROUND EYE PLATE
圆形门扣



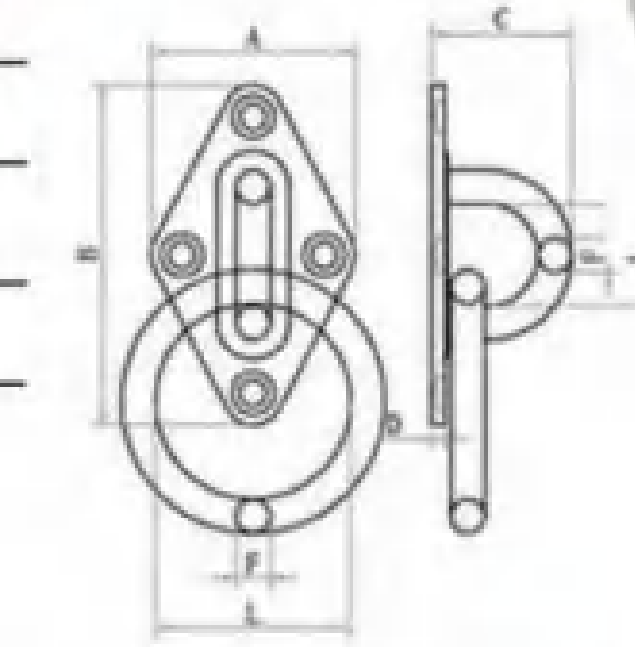
Code	Size	Amm	Cmm	Dmm	Emm	Fmm	WT(kg)
ALS6303-5	5mm	33	21	2.5	14	5	0.019
ALS6303-6	6mm	40	26	2.5	16	6	0.038
ALS6303-8	8mm	50	32	3	20	8	0.068

OBLONG EYE PLATE
椭圆形门扣



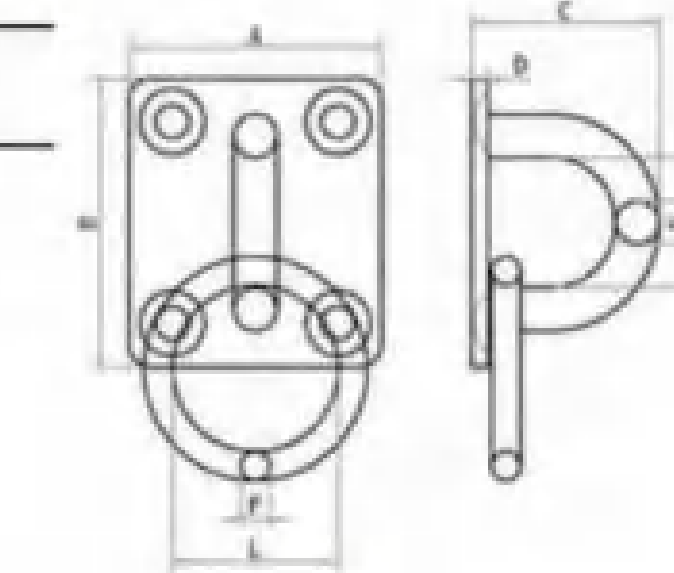
Code	Size	Amm	Bmm	Cmm	Dmm	Emm	Fmm	WT(kg)
ALS6304-5	5mm	15	45	21	2.5	14	5	0.017
ALS6304-6	6mm	20	60	26	2.5	16	6	0.033
ALS6304-8	8mm	25	80	32	3	20	8	0.064

DIAMOND EYE PLATE WITH RING
带圆环菱形门扣



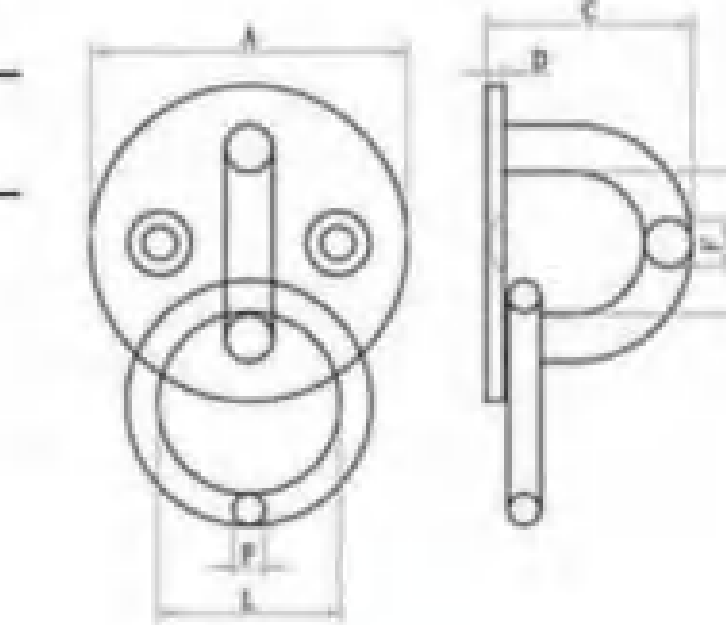
Code	Size	Amm	Bmm	Cmm	Dmm	Emm	Fmm	L mm	WT(kg)
ALS6305-5	5mm	36	60	21	2.5	14	5	30	0.046
ALS6305-6	6mm	40	65	26	2.5	16	6	35	0.067
ALS6305-8	8mm	50	80	32	3	20	8	45	0.135
ALS6305-10	10mm	60	100	38	3	26	10	50	0.236

SQUARE EYE PLATE WITH RING
带圆环方形门扣



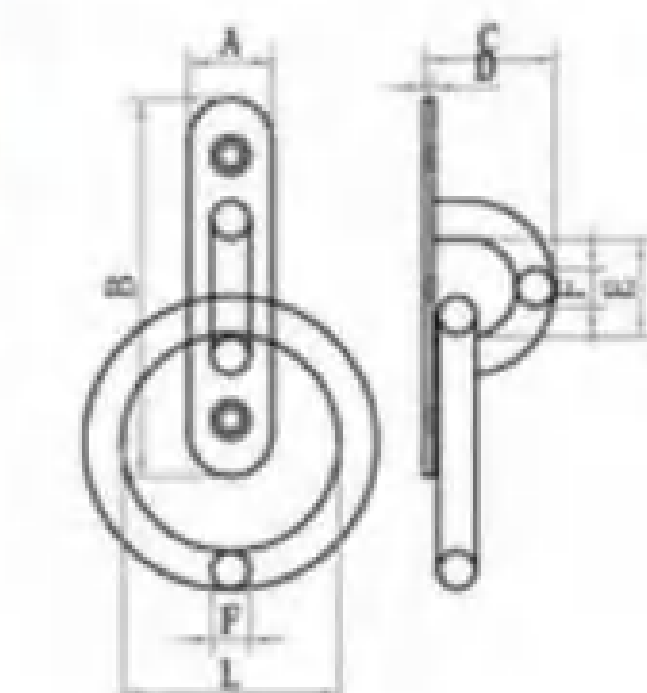
Code	Size	Amm	Bmm	Cmm	Dmm	Emm	Fmm	L mm	WT(kg)
ALS6306-5	5mm	30	35	21	2.5	14	5	30	0.038
ALS6306-6	6mm	35	40	26	2.5	16	6	35	0.064
ALS6306-8	8mm	40	50	32	3	20	8	45	0.134

ROUND EYE PLATE WITH RING
带圆环圆形门扣



Code	Size	Amm	Cmm	Dmm	Emm	Fmm	L mm	WT(kg)
ALS6307-5	5mm	33	21	2.5	14	5	30	0.036
ALS6307-6	6mm	40	26	2.5	16	6	35	0.068
ALS6307-8	8mm	50	32	3	20	8	45	0.135

OBLONG EYE PLATE WITH RING
带圆环椭圆形门扣



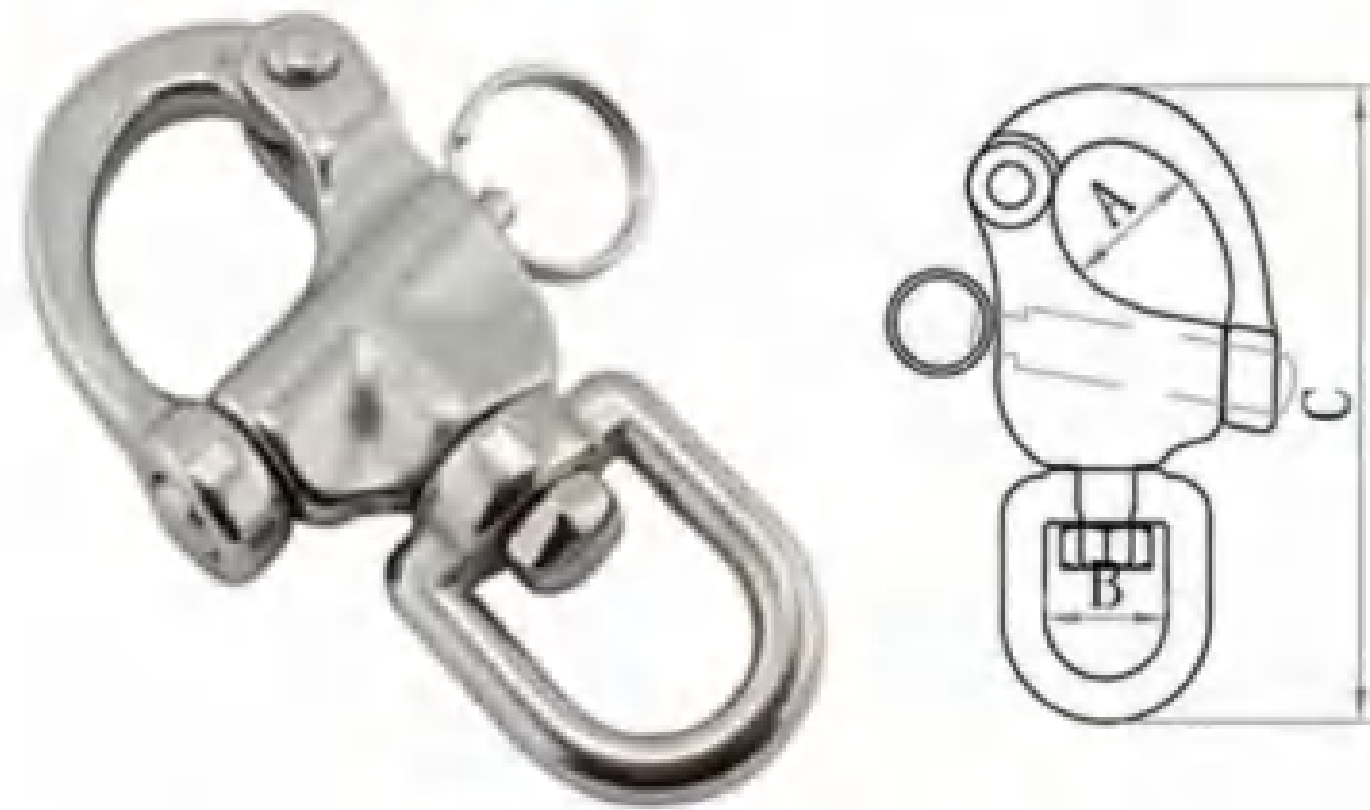
Code	Size	Amm	Bmm	Cmm	Dmm	Emm	Fmm	L mm	WT(kg)
ALS6308-5	5mm	15	45	21	2.5	14	5	30	0.034
ALS6308-6	6mm	20	60	26	2.5	16	6	35	0.062
ALS6308-8	8mm	25	80	32	3	20	8	45	0.131

FIXED EYE SNAP SHACKLE
固定弹簧卸扣



Code	Size	Amm	Bmm	Cmm	WLL(kg)	WT(kg)
ALS6401-35	35mm	12.5	7.5	35	100	0.013
ALS6401-52	52mm	17	11	52	450	0.043
ALS6401-69	69mm	21.5	15.5	69	650	0.085
ALS6401-96	96mm	26	19	96	950	0.209

SWIVEL EYE SNAP SHACKLE
圈式旋转弹簧卸扣



Code	Size	Amm	Bmm	Cmm	WLL(kg)	WT(kg)
ALS6402-70	70mm	16	12.5	70	450	0.057
ALS6402-87	87mm	20	16.5	87	650	0.111
ALS6402-128	128mm	28	23.5	128	950	0.297

SWIVEL JAW SNAP SHACKLE
叉式旋转弹簧卸扣



Code	Size	Amm	Bmm	Cmm	WLL(kg)	WT(kg)
ALS6403-70	70mm	15.5	10	70	450	0.063
ALS6403-87	87mm	20	13	87	650	0.145
ALS6403-128	128mm	28	20	120	950	0.339

ROUND SWIVEL SNAP SHACKLE
圆环旋转弹簧卸扣



Code	Size	Amm	Bmm	WLL(kg)	WT(kg)
ALS6404-20	20x65	14	21	270	0.041
ALS6404-25	25x76	15	26	340	0.071

PELICAN SHACKLE
枪式弹簧卸扣



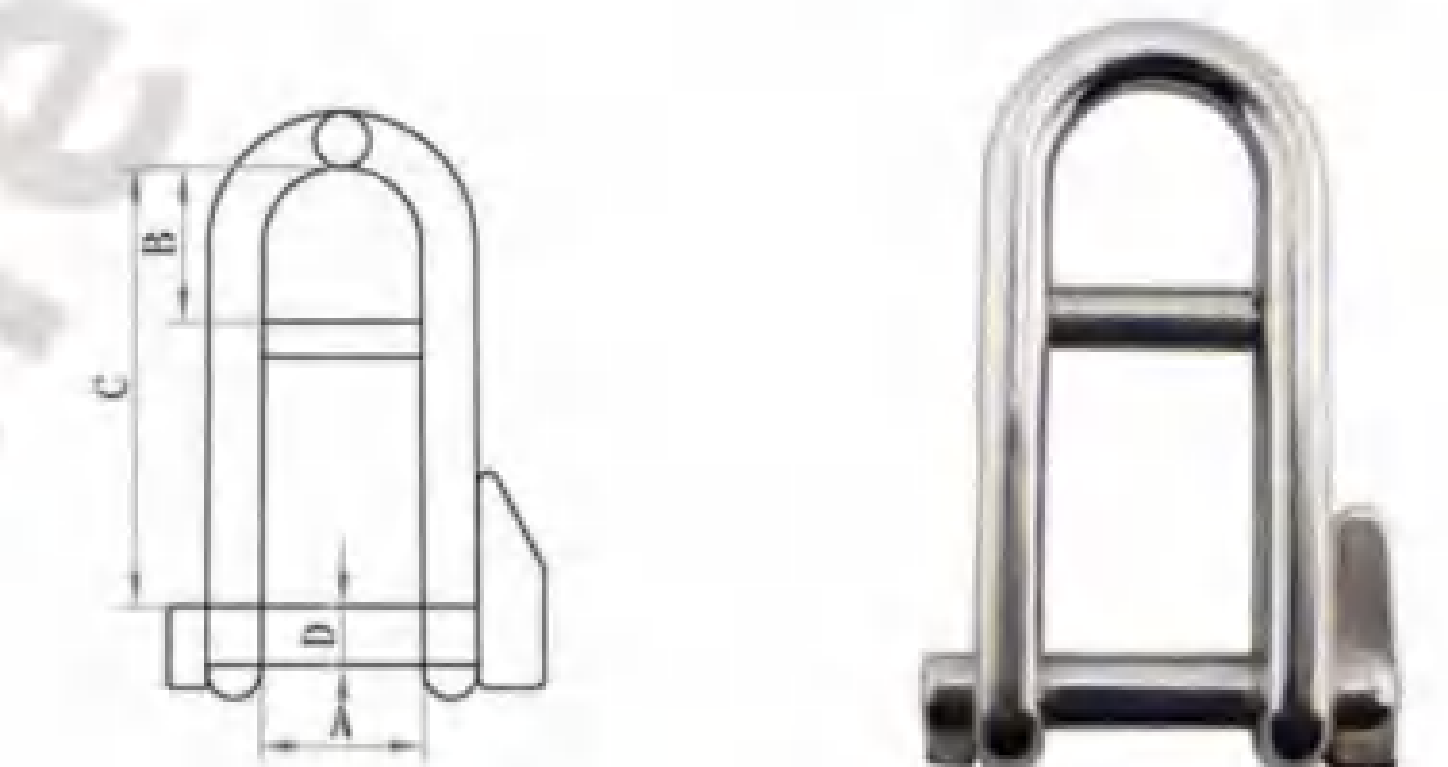
Code	Size	Amm	Bmm	Cmm	WT(kg)
ALS6405-6	M6	77.5	14	11	0.068
ALS6405-8	M8	104.5	16	13.5	0.131
ALS6405-10	M10	126	19	15.5	0.216

KEY PIN SHACKLE
钥匙销卸扣



Code	Size	Amm	Bmm	Cmm	WLL(kg)	WT(kg)
ALS6406-5	5mm	13	40	5	100	0.029
ALS6406-6	6mm	15	42	6	150	0.051
ALS6406-8	8mm	21.5	61	8	250	0.111

KEY PIN SHACKLE WITH BAR
带档钥匙销卸扣



Code	Size	Amm	Bmm	Cmm	Dmm	WLL(kg)	WT(kg)
ALS6407-5	5mm	13	12.5	40	5	100	0.035
ALS6407-6	6mm	15	15	42	6	150	0.062
ALS6407-8	8mm	21.5	21.5	61	8	250	0.122

KEY PIN SHACKLE WITH BAR
带档钥匙销卸扣



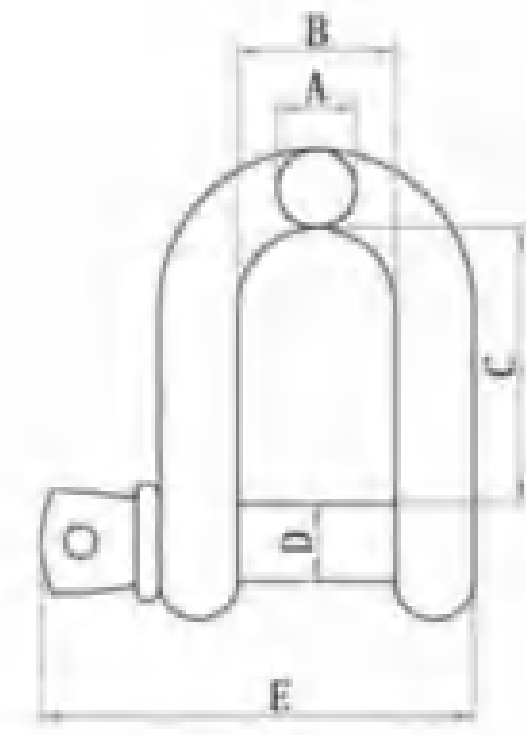
Code	Size	Amm	Bmm	Cmm	Dmm	WLL(kg)	WT(kg)
ALS6414-4	3/16"*6	4.8	9.5	22	6	350	0.02
ALS6414-6	1/4"*8	6.2	11.5	28.5	7.8	500	0.038
ALS6414-8	1/16"*10	8	13	30.5	9	750	0.073
ALS6414-10	3/8"*12	9.3	16.5	36.5	11	1000	0.138
ALS6414-11	7/16"*14	11	19	42.5	12.5	1500	0.19
ALS6414-12	1/2"*16	12.5	20	47.5	15.5	2000	0.31
ALS6414-16	5/8"*20	15.8	26.5	60	19	3250	0.62
ALS6414-20	3/4"*22	19	31.5	71	22	4750	0.97
ALS6414-22	7/8"*24	22	36.5	84	25	6500	1.37
ALS6414-25	1"*28	25.2	42.6	95	28	8500	2.08

JIS TYPE D SHACKLE
日式D形卸扣



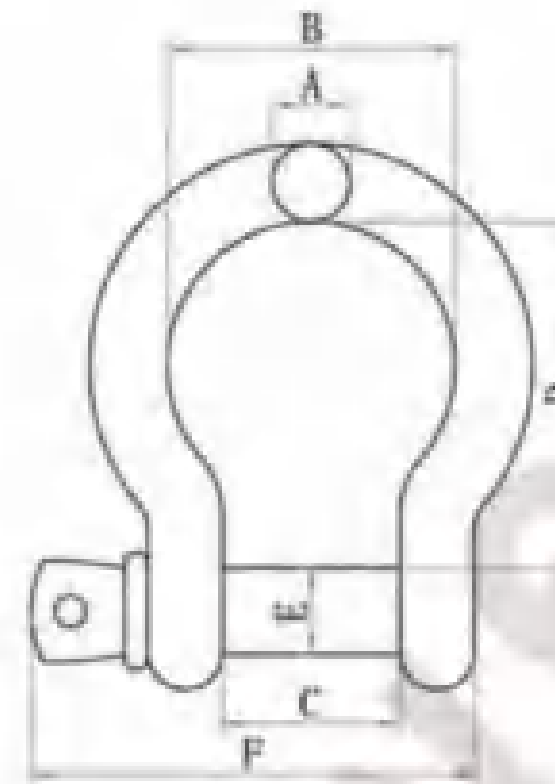
Code	Size	Amm	Bmm	Cmm	Dmm	WLL(kg)	WT(kg)
ALS6408-4	4mm	4	8	14	4	24	0.008
ALS6408-5	5mm	5	10	17.5	5	30	0.016
ALS6408-6	6mm	6	12	21	6	35	0.025
ALS6408-8	8mm	8	16	28	8	43.5	0.054
ALS6408-10	10mm	10	20	35	10	56	0.109
ALS6408-12	12mm	12	24	45.5	12	66	0.185
ALS6408-14	14mm	14	28	49	14	75.5	0.290
ALS6408-16	16mm	16	32	56	16	88	0.433
ALS6408-18	18mm	18	36	63	18	99.5	0.638
ALS6408-20	20mm	20	40	70	20	109	0.850
ALS6408-22	22mm	22	44	77	22	120	1.160
ALS6408-24	24mm	24	50	84	24	135	1.537
ALS6408-28	28mm	28	56	98	28	148	2.360

EU TYPE D SHACKLE
欧式D形卸扣



Code	Size	Amm	Bmm	Cmm	Dmm	WLL(kg)	WT(kg)
ALS6409-4	4mm	4	8	16	4	60	0.008
ALS6409-5	5mm	5	10	20	5	80	0.016
ALS6409-6	6mm	6	12	24	6	100	0.025
ALS6409-8	8mm	8	16	32	8	200	0.059
ALS6409-10	10mm	10	20	40	10	320	0.115
ALS6409-12	12mm	12	24	48	12	520	0.198
ALS6409-14	14mm	14	28	56	14	700	0.306
ALS6409-16	16mm	16	32	64	16	800	0.461
ALS6409-18	18mm	18	36	72	18	950	0.672
ALS6409-20	20mm	20	40	80	20	1100	0.875
ALS6409-22	22mm	22	44	90	22	1500	1.257
ALS6409-24	24mm	24	50	96	24	2100	1.655
ALS6409-28	28mm	28	56	112	28	3000	2.496

EU TYPE BOW SHACKLE
欧式弓形卸扣



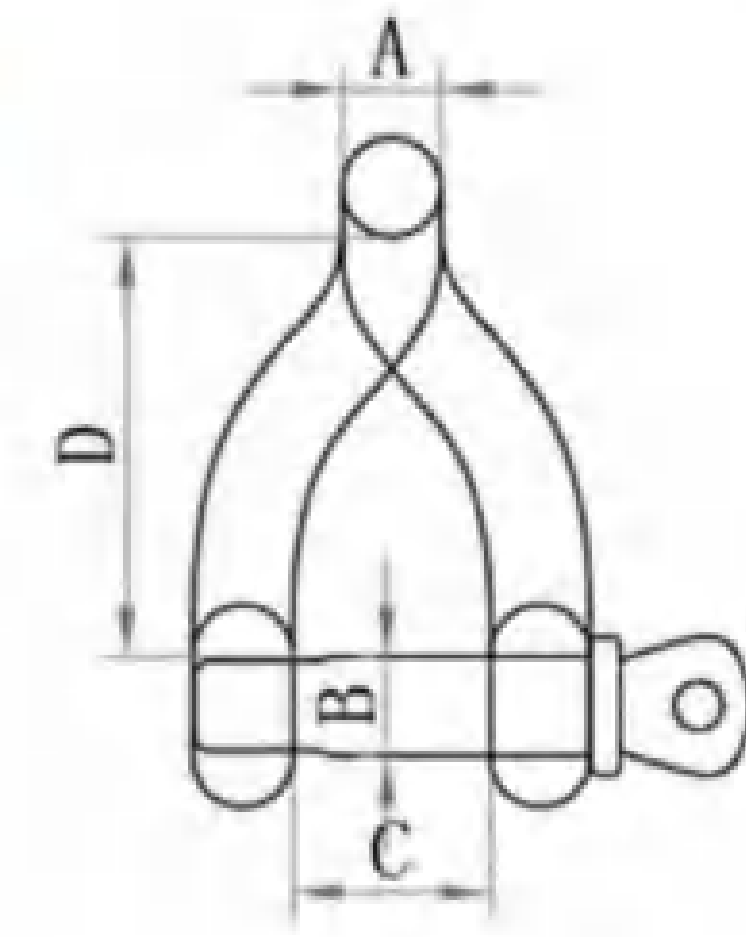
Code	Size	Amm	Bmm	Cmm	Dmm	Emm	Fmm	WLL(kg)	WT(kg)
ALS6410-4	4mm	4	12	8	16	4	24	60	0.008
ALS6410-5	5mm	5	17	10	20	5	30	80	0.016
ALS6410-6	6mm	6	20	12	24	6	35	100	0.026
ALS6410-8	8mm	8	27	16	32	8	44.5	200	0.061
ALS6410-10	10mm	10	33	20	40	10	56	320	0.117
ALS6410-12	12mm	12	39	24	48	12	66	520	0.208
ALS6410-14	14mm	14	46.5	28	56	14	75.5	700	0.317
ALS6410-16	16mm	16	52.5	32	64	16	85.5	800	0.480
ALS6410-18	18mm	18	62	36	72	18	97	950	0.696
ALS6410-20	20mm	20	65	40	80	20	110	1100	0.933
ALS6410-22	22mm	22	76	44	90	22	119	1500	1.223
ALS6410-24	24mm	24	79.5	50	96	24	136	2100	1.693
ALS6410-28	28mm	28	89	56	112	28	148	3000	2.660

LONG D SHACKLE
长D卸扣



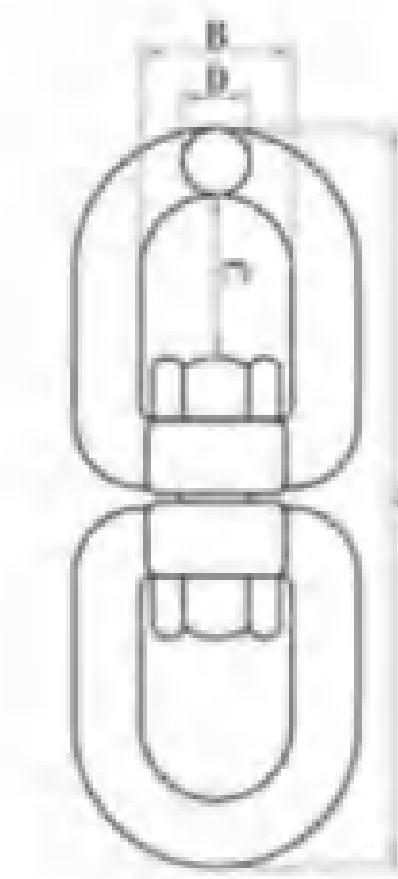
Code	Size	Amm	Bmm	Cmm	Dmm	Emm	WLL(kg)	WT(kg)
ALS6411-4	4mm	4	8	30	4	24	70	0.015
ALS6411-5	5mm	5	10	37.5	5	30	140	0.018
ALS6411-6	6mm	6	12	45	6	35	230	0.031
ALS6411-8	8mm	8	16	60	8	43.5	340	0.077
ALS6411-10	10mm	10	20	75	10	56	700	0.157
ALS6411-12	12mm	12	24	90	12	66	1200	0.251

TWISTED SHACKLE
扭体卸扣



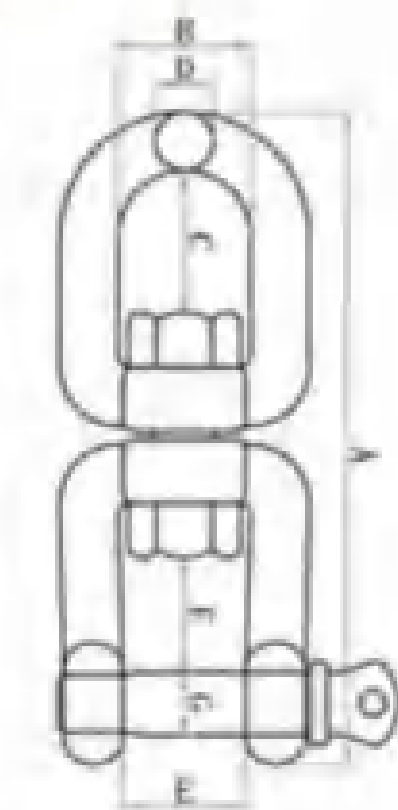
Code	Size	Amm	Bmm	Cmm	Dmm	WLL(kg)	WT(kg)
ALS6412-4	4mm	4	4	8	22	90	0.015
ALS6412-5	5mm	5	5	10	27.5	120	0.018
ALS6412-6	6mm	6	6	12	33	175	0.031
ALS6412-8	8mm	8	8	16	44	300	0.077
ALS6412-10	10mm	10	10	20	55	580	0.157
ALS6412-12	12mm	12	12	24	66	700	0.254

EYE&EYE END SWIVEL
圈圈旋转环



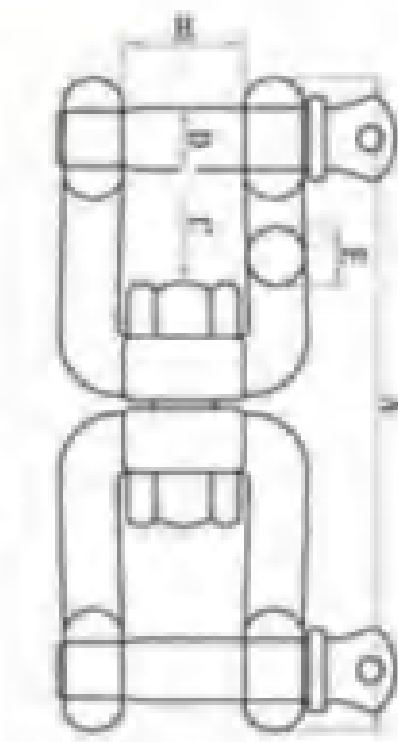
Code	Size	Amm	Bmm	Cmm	Dmm	WLL(kg)	WT(kg)
ALS6501-4	4mm	48	11.8	9.8	3.8	80	0.020
ALS6501-5	5mm	60	13.8	14.5	4.8	100	0.034
ALS6501-6	6mm	68	15.8	16.8	5.5	150	0.048
ALS6501-8	8mm	88	20	21	7.4	300	0.111
ALS6501-10	10mm	107	23	26	9.3	500	0.202
ALS6501-12	12mm	122	25	27	11.2	1000	0.325
ALS6501-14	14mm	145	31.8	33.2	12	1200	0.518
ALS6501-16	16mm	175	38	44	15	1500	0.810
ALS6501-20	20mm	203	44	47.8	18.8	2100	1.480

EYE&EYE END SWIVEL
圈叉旋转环



Code	Size	Amm	Bmm	Cmm	Dmm	Emm	Fmm	Gmm	WLL(kg)	WT(kg)
ALS6502-4	4mm	50	11.8	9.8	3.8	8	10.5	3.8	80	0.022
ALS6502-5	5mm	60	13.8	14.5	4.8	10	11	4.8	100	0.038
ALS6502-6	6mm	66.5	15.8	16.8	5.5	12	11.5	5.8	150	0.056
ALS6502-8	8mm	88	20	21	7.4	16	17	7.8	300	0.129
ALS6502-10	10mm	106	23	26	9.3	20	19	9.8	500	0.238
ALS6502-12	12mm	124	25	27	11.2	24	22	11.8	1000	0.372
ALS6502-14	14mm	145	31.8	33.2	12	28	26	13.8	1500	0.600
ALS6502-16	16mm	179	38	44	15	32	38	15.8	1500	0.940
ALS6502-20	20mm	203	44	47.8	18.8	40	38	19.8	2100	1.710

JAW&JAW END SWIVEL
叉叉旋转环



Code	Size	Amm	Bmm	Cmm	Dmm	Emm	WLL(kg)	WT(kg)
ALS6503-4	4mm	51	8	10.5	3.8	3.8	80	0.025
ALS6503-5	5mm	60	10	11	4.8	4.8	100	0.041
ALS6503-6	6mm	65.5	12	11.5	5.8	5.5	150	0.062
ALS6503-8	8mm	88.5	16	17	7.8	7.4	300	0.144
ALS6503-10	10mm	106.5	20	19	9.8	9.3	500	0.281
ALS6503-12	12mm	124	24	22	11.8	11.2	1000	0.438
ALS6503-14	14mm	443	28	26	13.8	13	1500	0.671
ALS6503-16	16mm	182	32	38	15.8	15	1500	1.071
ALS6503-20	20mm	205	40	38	19.8	18.8	2100	1.828

DIN589 EYE SCREW
DIN580 吊环螺丝



Code	Size	Amm	Bmm	Cmm	Dmm	Emm	WLL(kg)	WT(kg)
ALS6701-6	M6	16	16	6	11	39	70	0.020
ALS6701-8	M8	19.5	19.5	7.6	14	49	140	0.045
ALS6701-10	M10	24.5	24.5	9.4	17	59.5	230	0.086
ALS6701-12	M12	29	29	11.5	22	73	340	0.148
ALS6701-16	M16	35	34	13.6	26.5	86.5	700	0.255
ALS6701-20	M20	40	38.5	15.3	29.5	96.5	1200	0.378
ALS6701-24	M24	50	50	20	37.5	127	1800	0.780

DIN582 EYE NUT
DIN528吊环螺母



Code	Size	Amm	Bmm	Cmm	Dmm	Emm	WLL(kg)	WT(kg)
ALS6702-6	M6	16	16	6	28	70	0.020	
ALS6702-8	M8	19.5	20	8	35	140	0.043	
ALS6702-10	M10	24.5	24.5	9.4	42.5	230	0.076	
ALS6702-12	M12	29	29	11.5	51.5	340	0.130	
ALS6702-16	M16	35	35	13.6	61.5	700	0.210	
ALS6702-20	M20	40	39	15.3	70.5	1200	0.310	
ALS6702-24	M24	50	49	19.3	88	1800	0.700	

JIS1168 EYE SCREW
JIS1168 日式吊环螺丝



Code	Size	Amm	Bmm	Cmm	Dmm	Emm	WLL(kg)	WT(kg)
ALS6703-3	M3	7	7	3	9	23	20	0.003
ALS6703-4	M4	10	10	4	11	29	30	0.007
ALS6703-5	M5	13	11.5	5	11.5	35	40	0.013
ALS6703-6	M6	16.5	12	5	14	41	50	0.015
ALS6703-8	M8	20	15	5.7	15	47	80	0.026
ALS6703-10	M10	25	19	7	18	58	150	0.052
ALS6703-12	M12	30	22.5	9	21	69	220	0.094
ALS6703-16	M16	36	28	11	27	87	450	0.179
ALS6703-20	M20	40	32	15	31	101	630	0.334
ALS6703-24	M24	50	41	18	36	122	950	0.638

JIS1169 EYE NUT
JIS1169 日式吊环螺母



Code	Size	Amm	Bmm	Cmm	Dmm	Emm	WLL(kg)	WT(kg)
ALS6704-6	M6	16.5	12	5	31	50	0.015	
ALS6704-8	M8	20	15	5.7	39	80	0.025	
ALS6704-10	M10	25	19	7	47.5	150	0.050	
ALS6704-12	M12	30	22.5	9	57.5	220	0.093	
ALS6704-16	M16	36	28	11	68	450	0.164	
ALS6704-20	M20	40	32	15	78	630	0.291	
ALS6704-24	M24	50	41	18	102	950	0.573	

HX LONG EYE BOLT
HX长吊环螺栓



Code	Size	Amm	Bmm	Cmm	Dmm	WLL(kg)	WT(kg)
ALS6705-6	M6X60	85	60	55	13	80	0.025
ALS6705-8	M8X80	111	80	75	15	150	0.058
ALS6705-10	M10X100	137	100	85	17	250	0.120

EUTOPEAM OPEN BODY TURNBUCKLE (HOOK&EYE)
欧式开体花兰 (钩圈型)

Code	Size	Amm	Bmm	Cmm	WLL(kg)	WT(kg)
ALS6801-4	M4	58	8	7	25	0.022
ALS6801-5	M5	70	9	8	40	0.035
ALS6801-6	M6	90	10	9	100	0.063
ALS6801-8	M8	120	14	13	200	0.135
ALS6801-10	M10	150	16	15	300	0.242
ALS6801-12	M12	200	18	15	500	0.467
ALS6801-16	M16	250	21	20	800	0.984
ALS6801-20	M20	300	25	22	1200	1.989

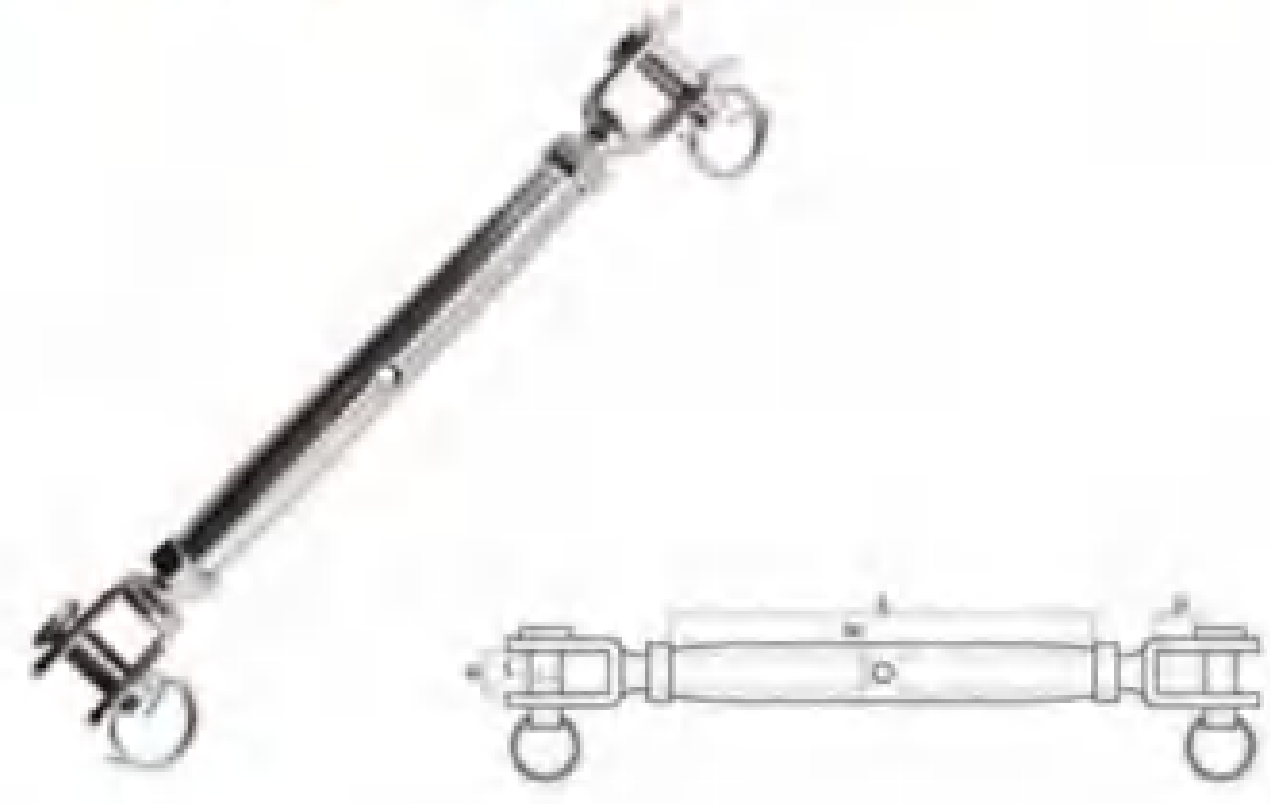
EUTOPEAM OPEN BODY TURNBUCKLE (HOOK&EYE)
欧式开体花兰 (钩钩型)

Code	Size	Amm	Cmm	WLL(kg)	WT(kg)
ALS6802-4	M4	58	7	25	0.022
ALS6802-5	M5	70	8	40	0.035
ALS6802-6	M6	90	9	100	0.063
ALS6802-8	M8	120	13	200	0.135
ALS6802-10	M10	150	15	300	0.242
ALS6802-12	M12	200	15	500	0.467
ALS6802-16	M16	250	20	800	0.984
ALS6802-20	M20	300	22	1200	1.989

EUTOPEAM OPEN BODY TURNBUCKLE (HOOK&EYE)
欧式开体花兰 (圈圈型)

Code	Size	Amm	Bmm	WLL(kg)	WT(kg)
ALS6803-4	M4	58	8	25	0.022
ALS6803-5	M5	70	9	40	0.035
ALS6803-6	M6	90	10	100	0.063
ALS6803-8	M8	120	14	200	0.135
ALS6803-10	M10	150	16	300	0.242
ALS6803-12	M12	200	18	500	0.467
ALS6803-16	M16	250	21	800	0.984
ALS6803-20	M20	300	25	1200	1.989

EUROPEAN TYPE CLOSED BODY TURNBUCKLE(JAW&JAW)
欧式封闭花兰 (叉叉型)



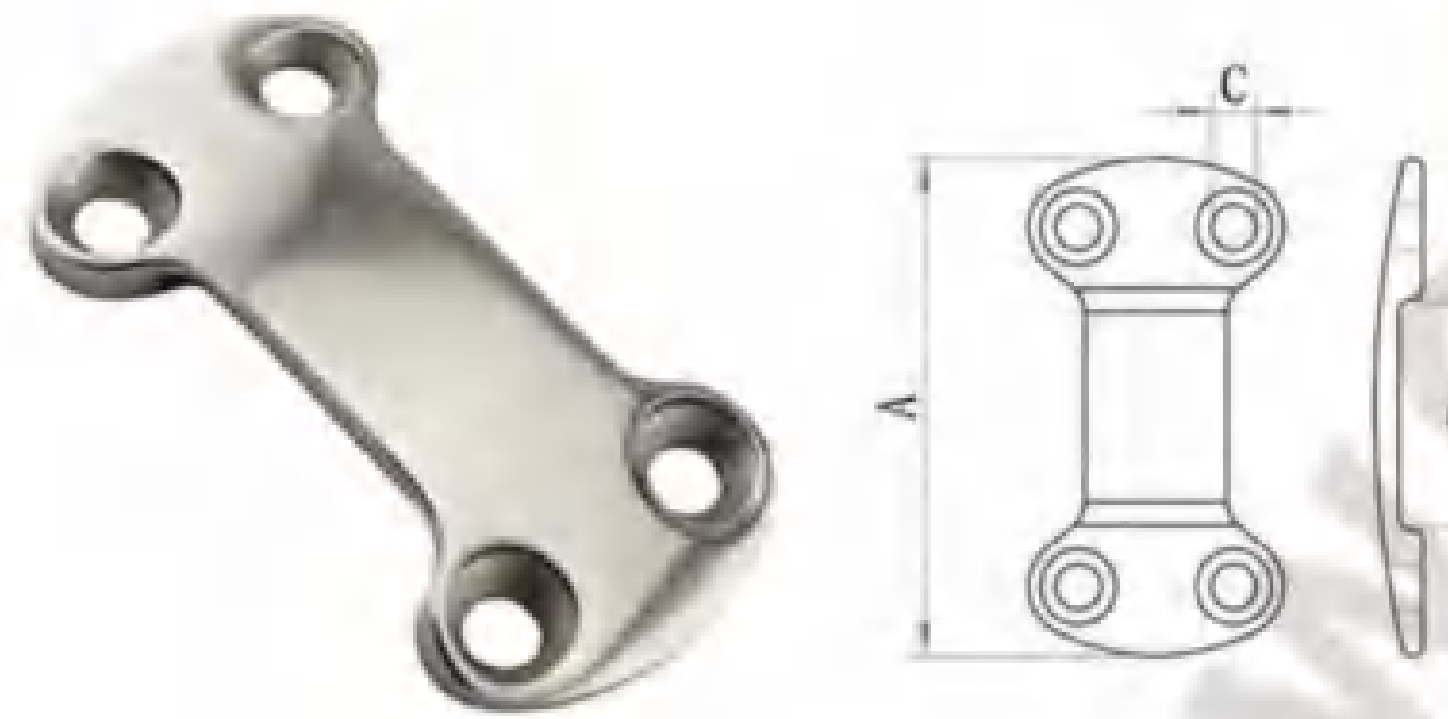
Code	Size	Amm	Bmm	Cmm	Dmm	WLL(kg)	WT(kg)
ALS6804-5	M5	7.5	7.5	5	10	250	0.052
ALS6804-6	M6	8	8	6	10	350	0.083
ALS6804-8	M8	11	11	8	11.5	700	0.154
ALS6804-10	M10	12	12	9	14	1000	0.279
ALS6804-12	M12	15	15	12	21	1500	0.475
ALS6804-14	M14	15	15	14	21	1600	0.633
ALS6804-16	M16	17.5	17.5	16	26	2300	1.090
ALS6804-20	M20	19.5	19.5	19	29	3000	1.784

CAM BUKLE
织带扣



Code	Size	Amm	Bmm	Cmm	WT(kg)
ALS7001-25	25mm	50.5	25.5	14.3	0.068

CAM BUKLE PLATE
织带压板



Code	Size	Amm	Bmm	Cmm	WT(kg)
ALS7002-25	25mm	65.8	25.5	5.8	0.045

EUROPEAN THIMBLE
欧式套环



Code	Size	Amm	Bmm	Cmm	Dmm	Emm	WT(kg)
ALS7201-2	2mm	2	0.8	7	12	17	0.001
ALS7201-2.5	2.5mm	2.5	0.8	8	13	20	0.002
ALS7201-3	3mm	3	0.8	10	15	22	0.002
ALS7201-4	4mm	4	1	11	17	24	0.004
ALS7201-5	5mm	5	1	13	20	30	0.005
ALS7201-6	6mm	6	1	15	23	35	0.007
ALS7201-7	7mm	7	1	15	25	40	0.011
ALS7201-8	8mm	8	1.2	18	28	44	0.017
ALS7201-10	10mm	10	1.2	23	35	57	0.038
ALS7201-12	12mm	12	1.5	27	40	65	0.048
ALS7201-14	14mm	14	2	34	50	72	0.068
ALS7201-16	16mm	16	2	38	58	76	0.083
ALS7201-18	18mm	18	2	40	62	87	0.104
ALS7201-20	20mm	20	2	45	71	100	0.133
ALS7201-22	22mm	22	2	52	80	110	0.160
ALS7201-24	24mm	24	2	56	90	120	0.270

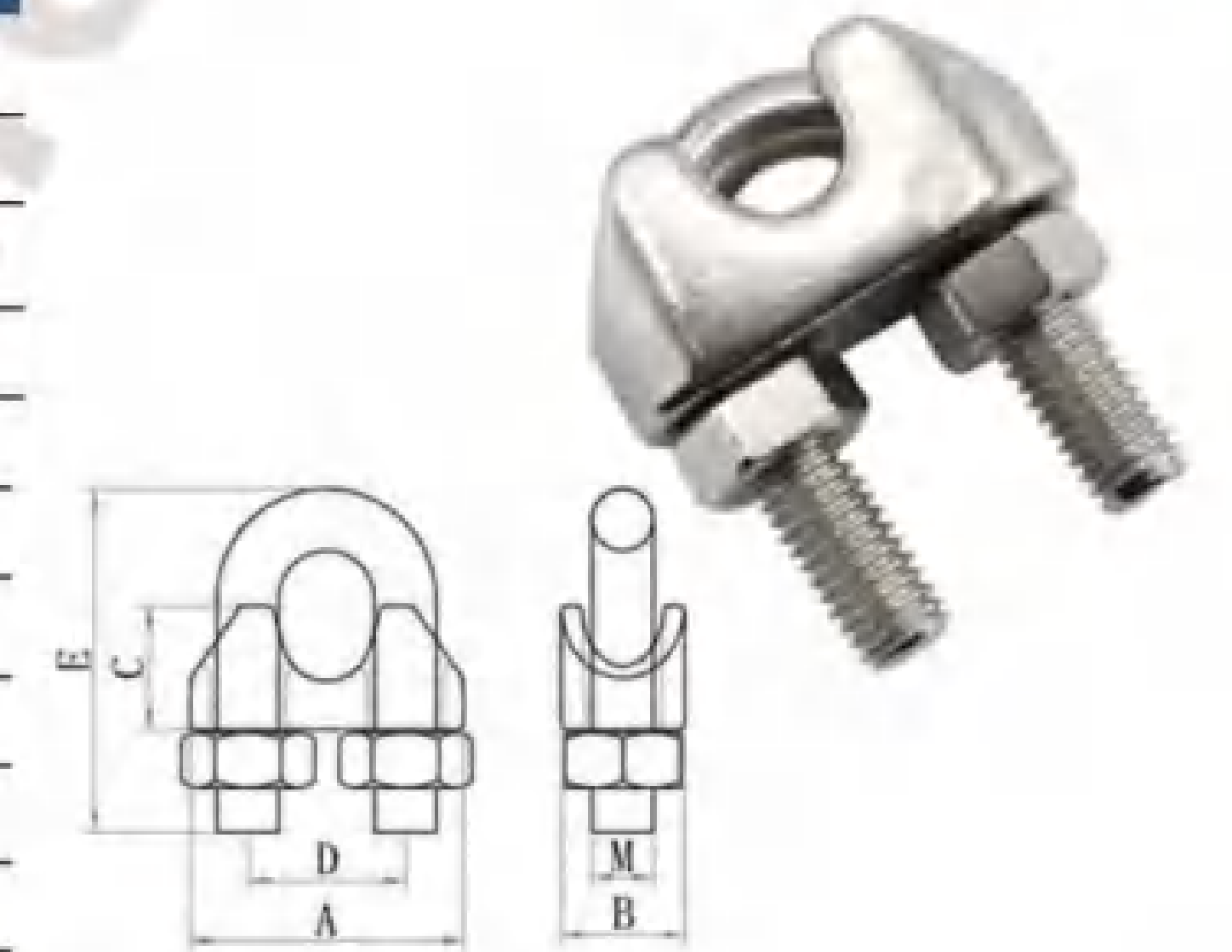
PIPE THIMBLE
管式套环



Code	Size	Amm	Bmm	Cmm	Dmm	WT(kg)
ALS7202-6	6mm	6.5	16	43	1.5	0.021
ALS7202-8	8mm	8.5	17	48	1.5	0.027
ALS7202-10	10mm	10.5	20	60	1.9	0.061
ALS7202-12	12mm	12.5	22	70	1.9	0.083
ALS7202-15	15mm	15.5	25	82	2.1	0.138

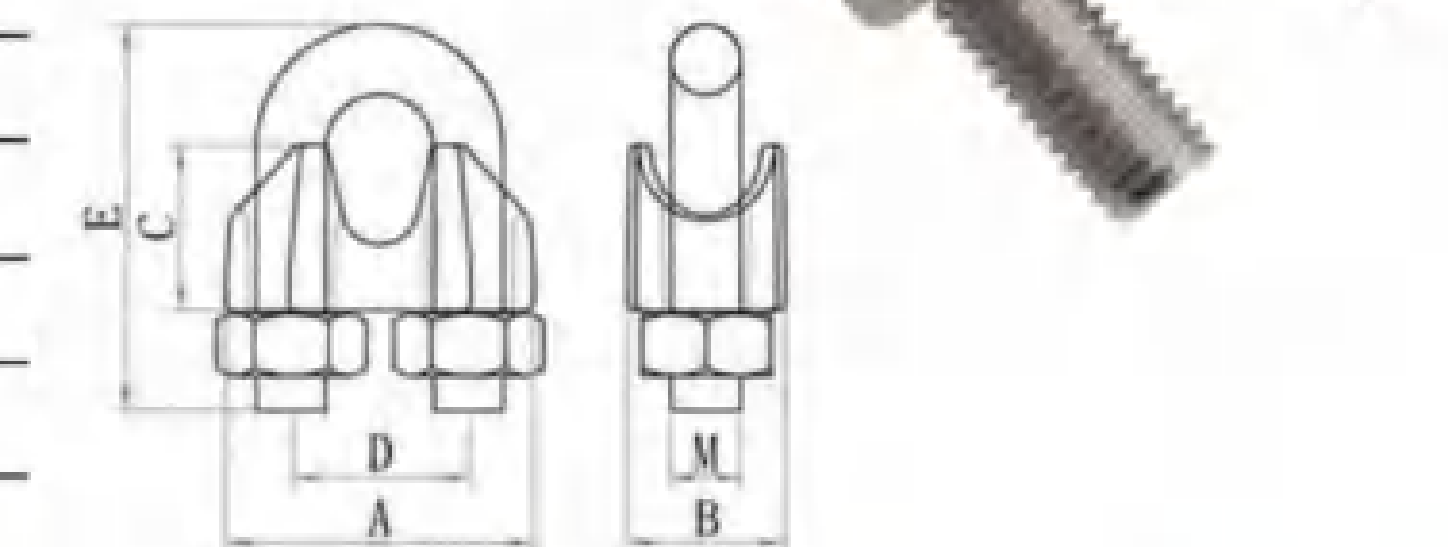
DIN741 WIRE ROPE CLIP
DIN74 卡头

Code	Size	Amm	Bmm	Cmm	Dmm	Emm	Mmm	WT(kg)
ALS7301-2	2	17	9.5	9.5	7	21	M3	0.008
ALS7301-3	3	21	10	10	9	21	M4	0.011
ALS7301-4	4	21	10	10	9	23.5	M4	0.012
ALS7301-5	5	23	10	10	10	26	M5	0.016
ALS7301-6	6	25	11.5	11.5	13	29	M5	0.021
ALS7301-8	8	29	13	14	15.5	33	M6	0.034
ALS7301-10	10	33	15	16.5	19.5	43	M8	0.065
ALS7301-12	12	40	18	18	23	50	M10	0.093
ALS7301-16	16	49	24.5	25	28	65	M12	0.220
ALS7301-20	20	53	27.5	30	32	77	M12	0.281



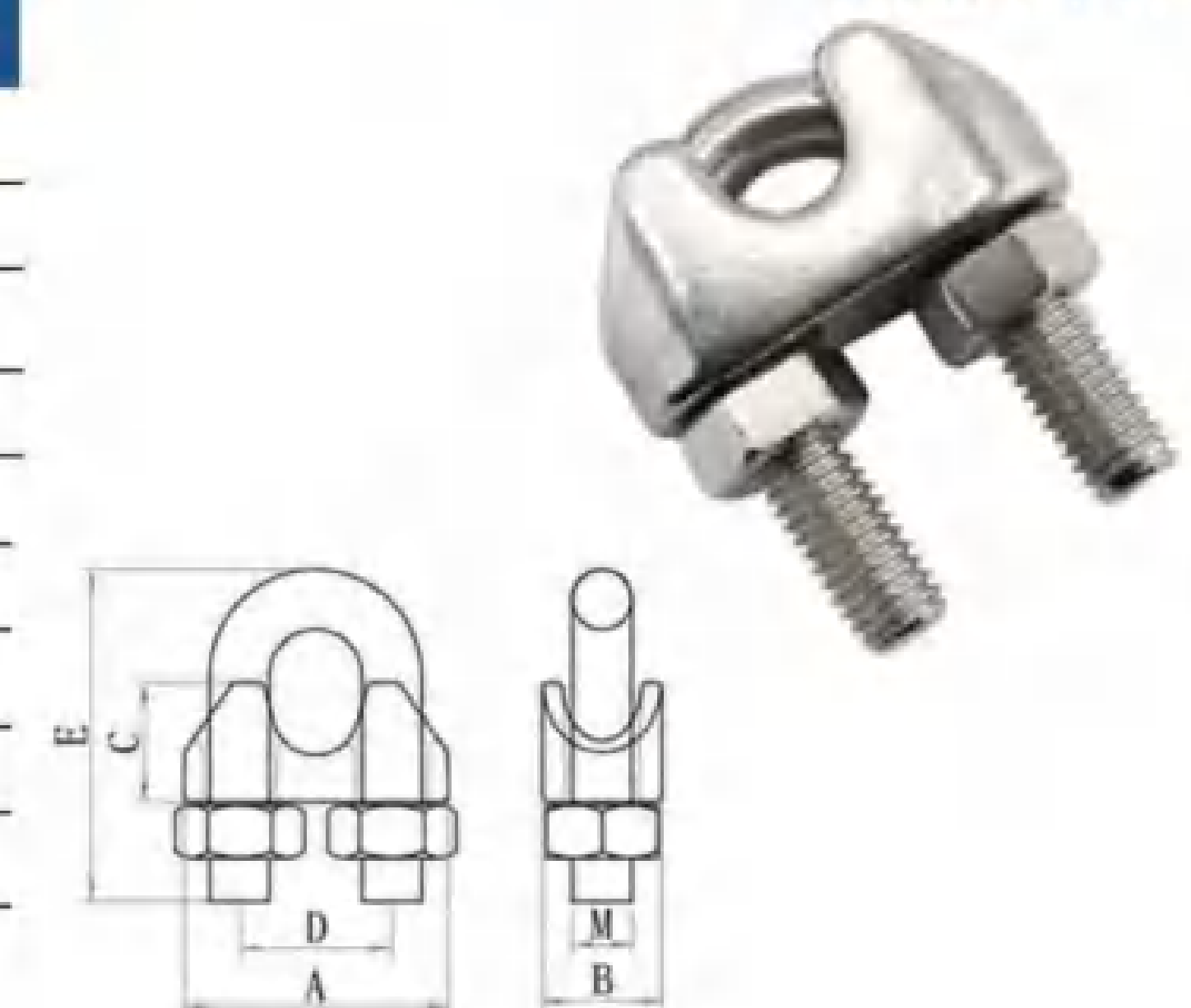
US MALLEABLE CLIP
美式玛钢型卡

Code	Size	Amm	Bmm	Cmm	Dmm	Emm	Mmm	WT(kg)
ALS7302-2	1/16	17	11	9.5	7.5	18.5	M3	0.015
ALS7302-3	1/8	21.5	13	11.5	11	25	M5	0.015
ALS7302-5	3/16	26.5	15	13	14.5	31	M6	0.030
ALS7302-6	1/4	31.5	18	15	17	40	M8	0.055
ALS7302-8	5/16	33.5	18	15.5	18.5	43	M8	0.062
ALS7302-10	3/8	40	20	22	22.5	51	M10	0.118
ALS7302-12	1/2	49.5	24.5	22.5	26.5	67	M12	0.198
ALS7302-16	5/8	56.5	26	28	32.5	72	M12	0.251
ALS7302-20	3/4	59.5	30.5	33.5	34	84	M14	0.368



DIN741 WIRE ROPE CLIP
DIN74 卡头

Code	Size	Amm	Bmm	Cmm	Dmm	Emm	Mmm	WT(kg)
ALS7303-2	2	15	12	9	8	20	M3	0.006
ALS7303-3	3	16	14	12	8	21	M3	0.009
ALS7303-4	4	17	15.5	11.5	8	22	M4	0.018
ALS7303-5	5	23	18.5	14	12	28.5	M5	0.024
ALS7303-6	6	27	20.5	17	14.5	33	M6	0.037
ALS7303-8	8	33.5	27	20	17.5	40	M8	0.083
ALS7303-10	10	43	33.5	23	21	50	M10	0.147
ALS7303-12	12	49.5	37.5	26.5	25.5	64	M12	0.227
ALS7303-16	16	59	45	36.5	32	70	M14	0.407





SAFETY EQUIPMENT



Code	Size	Outer dia	Inner dia	Thickness	Weight
ALS6601W	S	56cm	35cm	9cm	1.5kg for children
ALS6602W	M	70cm	45cm	11.5cm	2.5KG
ALS6603W	L	76cm	46cm	11.50cm	4.5KG

Support customization

DESCRIPTION

Color: Orange
Certificate:CE/CCS/MED
Usage: Water Life Saving



Code	Type	Cerification
ALS6604W	U TYPE LIFEBOUY	EC"CCS"

Support customization

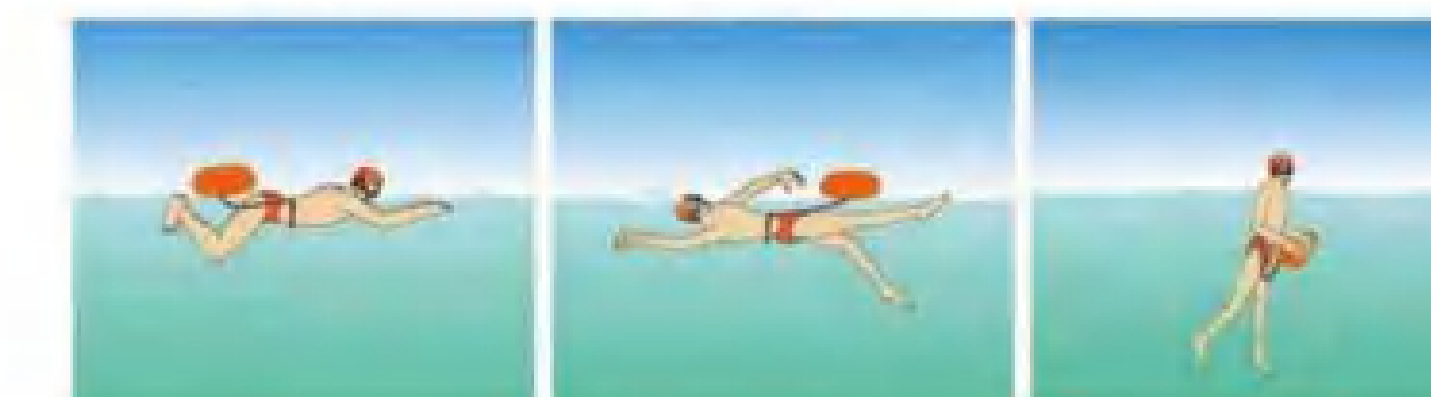
DESCRIPTION

Color: white, Yellow or orange
Size: 55*50cm or customized
Logo: Acceptable
MOQ: 100PCS

Code	Size	Capacity	Buoyancy
ALS6606W	23.5*60cm	20L	15KG

Support customization

DESCRIPTION



Code	Type	Cerification
ALS6607W	Automatic/Manual	EC"CCS"

Support customization

DESCRIPTION

Material: Oxford Fabric, Oxford fabric & PU Coated
Type: Automatic/Manual
Buoyancy: 150N
Color: Yellow , orange, red or blue



Code	Type	Spec
ALS6608W	LIFE JACKET	For aduly

Support customization

DESCRIPTION

Outer material: Teryl ene
Inner material: PE foam
Buoyancy>12kg



Code	Type	Spec
ALS6609W	LIFE JACKET	For aduly

Support customization

DESCRIPTION

Outer material: Teryl ene
Inner material: PE foam
Buoyancy>7.5kg





Code	Type	Spec
ALS6610W	LIFE JACKET	For aduly

Support customization

DESCRIPTION

Outer material: Terylene
 Inner material: PE foam
 Color: Red, Yellow, Black, Green
 Buoyancy>7.5kg



Code	Type	Cerification
ALS6611W	Sport Life-Jacket	CCS

Support customization

DESCRIPTION

Outer material: 210DTerylene Oxford Textile
 Buoyancy>7.5KG
 Approval CCS
 Buoyant Material EPE Foamed Polyethylene
 Application For using on Yachts, inflatable Boats, Motorboats, Sailboats, Kayaks and on.
 Characteristics
 It is the only item of casual lifejacket approved by CCS
 It has high-strength fabrics, protective performances and color fastness
 Color: Red, Gray, Yellow, Grayblue, Gray
 Size: M, L, XL, XXL, XXXL



Code	Type	Cerification
ALS6612W	Sport Life-Jacket	CCS

Support customization

DESCRIPTION

Material: 65% EPE Foam + 35% Dacron
 Application: Person
 Certificate: CE Certificated
 Size: 50*40 CM
 Weight: 0.65lbs/0.295KG
 Color:Red and Grey
 Capacity:80-100 kg



Code	Type	Cerification
ALS6613W	Sport Life-Jacket	CCS

Support customization

DESCRIPTION

Color:Red,Green,Blue,Yellow,Orange,Pink,Black
 Bear Weight >30kg, <=99kg
 Product Weight 0.367kg
 Size 58*49cm/23*19 inches(For Adults and Child)



Code	Size	Capacity	Buoyancy
ALS6614W	23.5*60cm	20L	15KG

Support customization

DESCRIPTION

Color:Red, blue or custom
 Size:XS-3XL(can be customized)
 Buoyancy:>75N
 Feature:Eco-Friendly, Waterproof, Other

BABY LIFE JACKET

Code	Type	Size
ALS6615W	PFD life jacket	8 - 30 lbs

Support customization

DESCRIPTION

Type: PFD life jacket
 Buoyancy: 150N
 Color: Yellow, red or blue
 Toddlers, Support Collar, Grab Handle, Fully Adjustable with Quick Release Buckle



Code	Type	Size
ALS6616W	PFD life jacket	>30

Support customization

DESCRIPTION

Size Blue
 Color Blue and red
 Item Weight 1.05 Pounds
 Fits Infants less than 30 Pounds
 Features easily adjustable belts and leg strap
 Made of durable polyester
 Has a foam collar for additional head and neck support
 Infant vest includes a grab strap for additional safety



Code	Height	Weight	Age
ALS6617W-S	85-110cm/33.4-43.3"	8-18kg	1-3Y
ALS6617W-M	110-125cm/43.3-49.2"	18-25kg	4-6Y
ALS6617W-L	125-140cm/49.2-55.1"	25-35kg	7-9Y

Support customization

DESCRIPTION

Color:Red, Navy and Light blue





YACHT SEAT

DELUXE FLIP UP SEAT
豪华翻转座椅



Code	Color	Size	Wight
ALS-S101	Blue/White	24.5"x20"x15"	9.5kg

DELUXE FLIP UP SEAT
豪华翻转座椅



Code	Color	Size	Wight
ALS-S102	Light Gray/Dark Gray	24.5"x20"x15"	9.5kg

OCEAN COMFORT SEAT
海洋舒适座椅



Code	Color	Size	Wight
ALS-S103	White/Gray	21.2"x 23"x 23"	7.85kg

PU YACHT SEAT
PU游艇座椅



Code	Color	Size	Wight
ALS-S104	White/Blue	60x50x60cm	13.3kg

DELUXE UPHOLSTERED
豪华软垫



Code	Color	Size	Wight
ALS-S105	White	19" x 20" x 24"	9.5kg

FLIP BACK SEAT
翻转后座椅



Code	Color	Size	Wight
ALS-S106	White/Blue	23" x 24" x 23"	14.05kg

KAYAK ACCESSORIES

KAYAK SEAT (BACKPACK AVAILABLE)
皮划艇座位(可带背包)



Code	A cm	B cm	Ccm	Dcm
ALS6701K	52.5	45.5	31.5	37.5



KAYAK SEAT (BACKPACK AVAILABLE)
皮划艇座位(可带背包)



Code	A cm	B cm	Ccm	Dcm
ALS6702K	53	46	34	39



ABS PLASTIC DECK HATCH COVER FOR BOAT
船用ABS塑料甲板舱口盖



Code	Internal diameter	External diameter	Size
ALS6703K-6	203.2mm	152.4mm	6"
ALS6703K-8	254mm	203.2mm	8"

ABS PLASTIC DECK HATCH COVER FOR BOAT
船用ABS塑料甲板舱口盖



Code	Internal diameter	External diameter	Size
ALS6704K-6	200mm	160mm	6"
ALS6704K-8	254mm	203.2mm	8"

PLASTIC ADJUSTABLE PEDALS KAYAK FOOT BRACES PEGS KIT
塑料可调踏板皮艇脚支撑钉套件

Code	Amm	Bmm	weight
ALS6705K	39.5	3.5	300g



MARINE HARDWARE STAND UP FISHING HAND PADDLE BOAT
船用五金直立式钓鱼手桨船

Code	A cm	B cm
ALS6706k	222	49



NYLON KAYAK PADDLE FIBREGLASS PULL HANDLES
尼龙皮艇划桨玻璃纤维拉手

Code	A mm	B mm	C mm	D mm
ALS6707k	10	4	6.4	6.8





Stern Drive	Outboard engine	OEM part No.	Blades	Diameter	Pitch	R
	2HP	6F8-45942-01-EL	3	7-1/4"	5"	A
	Plastic	6F8-45942-01-EL	3	7-1/4"	5"	A
	2.5-6HP 9 Tooth Spine & thru Hub Exhaust	646-45942-01-EL	3	7-1/4"	5-1/2"	BL
		6L5-45943-01-EL	3	7-1/4"	6"	BS
		624-45943-01-EL	3	7-1/2"	4"	B
		6E0-45943-01-EL	3	7-1/2"	7"	BA
		6E0-45941-01-EL	3	7-1/2"	8"	BA
	Plastic	6F8-45942-01-EL	3	7-1/2"	8"	BA
	6-8HP 7 Tooth Spine & thru Hub Exhaust	6G1-45943-00-EL	3	8-1/2"	7-1/2"	N
		6G1-45941-00-EL	3	8-1/2"	8-1/2"	N
	8HP Pin Drive	647-45943-00-EL	3	9"	7"	C
		665-45943-00-EL	3	9"	7-1/2"	C
		683-W4591-02-EL	3	9-3/4"	6-1/2"	C
		647-45941-00-EL	3	9-1/4"	9-1/4"	C

Stern Drive	Outboard engine	OEM part No.	Blades	Diameter	Pitch	R
	9.9-15HP,20HP 8 Tooth Spine & thru Hub Exhaust	683-45947-00-EL	3	9-1/4"	8"	J
		683-45945-00-EL	3	9-1/4"	9"	J
		683-45943-00-EL	3	9-1/4"	10-1/2"	J
		63V-45947-00-EL	3	9-1/4"	8"	J
		63V-45945-10-EL	3	9-1/4"	9"	J
		63V-45952-00-EL	3	9-1/4"	10"	J
		626-45943-02-EL	3	9-1/4"	10-3/4"	D
		63V-45943-00-EL	3	9-1/4"	11"	J
		683-45941-00-EL	3	9-1/4"	12"	J
69G-45943-00-00	3	11-3/4"	7"	J		
	25-30HP(4 Stroke) 10 Tooth Spine & thru Hub Exhaust	664-45943-01-EL	3	9-7/8"	8"	F
		664-45941-01-EL	3	9-7/8"	9"	F
		664-45945-00-EL	3	9-7/8"	10-1/2"	F
		664-45947-01-EL	3	9-7/8"	11-1/4"	F
		664-45954-00-EL	3	9-7/8"	12"	F
		664-45949-02-EL	3	9-7/8"	13"	F
		664-45952-00-EL	3	9-7/8"	14"	F
	40-55HP 13 Tooth Spine & thru Hub Exhaust	6H5-45952-00-EL	3	10-5/8"	12"	G
		6H5-45945-00-EL	3	10-3/8"	13"	G
		-	3	10-7/8"	11"	G
		-	3	10"	17"	G
		663-45947-02-EL	3	11-5/8"	11"	G
		663-45952-02-EL	3	11-3/8"	12"	G
		663-45945-02-EL	3	11-1/8"	13"	G
		663-45958-00-EL	3	11-1/8"	14"	G
		663-45958-01-EL	3	11-1/4"	14"	G
		663-45954-01-EL	3	11-3/4"	10"	G
		663-45943-01-EL	3	11"	15"	G
663-45956-01-EL	3	12-1/4"	9"	G		


Stern Drive	Outboard engine	OEM part No.	Blades	Diameter	Pitch	R
	40HP Pin Drive	676-45956-61-EL	3	11-3/4"	7-1/2"	H
		676-45945-62-EL	3	11-3/4"	10"	H
		676-45941-62-EL	3	11-1/2"	11"	H
		676-45943-62-EL	3	11-1/2"	12"	H
	60-115HP 15 Tooth Spine & thru Hub Exhaust	6E545949-00-EL	3	13-5/8"	13"	K
		388-45932-60-98	3	13-1/2"	14"	K
		6E5-45947-00-EL	3	13-1/2"	15"	K
		68V-45941-00-00	3	13-1/2"	17"	K
		6E5-45945-01-EL	3	13-1/4"	17"	K
		6E5-45943-00-EL	3	12-5/8"	21"	K
		6E5-45941-00-EL	3	13"	19"	K
		6E545954-00-EL	3	14"	11"	K
-	4	13"	17"	K		
-	4	13,4"	15"	K		
	150-250HP 15 Tooth Spine & thru Hub Exhaust	6G5-45947-01-98	3	14-1/2"	17"	M
	150-400HP 15 Tooth Spine & thru Hub Exhaust	6G5-45945-01-98	3	14"	19"	M
		6G5-45947-01-98	3	14-1/2"	17"	M
		6G545943-01-98	3	13-3/4"	21"	M
		-	3	13-7/8"	17"	M
		6G5-45974-03-98	3	13-3/4"	19"	M
		-	3	14-1/2"	19"	M
		6G5-45941-00-98	3	15-1/4"	15"	M
		-	3	15"	17"	M
		6D0-45978-00	3	15-1/2"	17"	M
		-	3	16"	20"	M

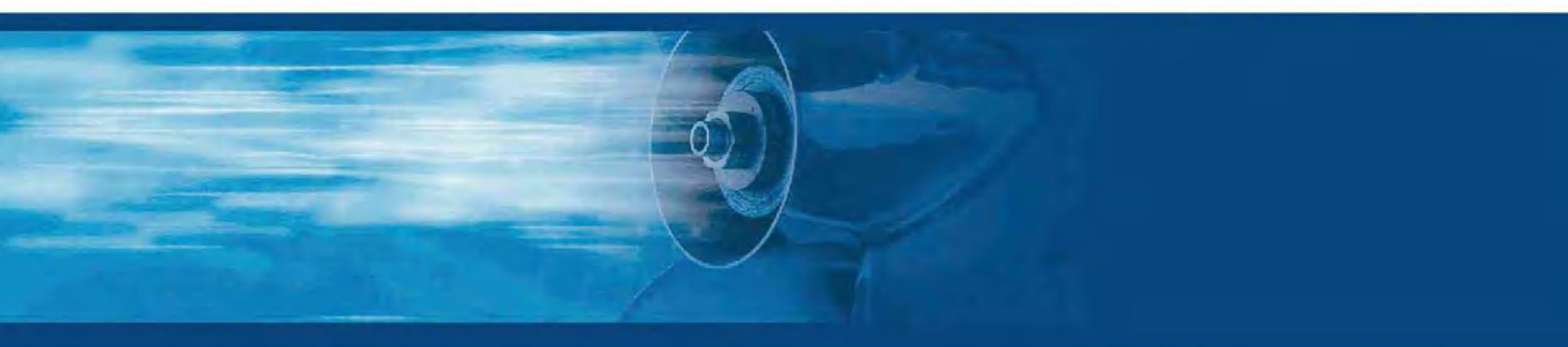


Stern Drive	Outboard engine	OEM part No.	Blades	Diameter	Pitch	R
	2.5-6HP 9 Tooth	6E0-45941-01-EL	3	7-1/2"	8"	BA
	9.9-15HP,20HP 8 Tooth Spine & thru Hub Exhaust	63V-45947-00-EL	3	9-1/4"	8"	J
		63V-45945-10-EL	3	9-1/4"	9"	J
		63V-45952-00-EL	3	9-1/4"	10"	J
		63V-45943-00-EL	3	9-1/4"	11"	J
	25-30HP(4 Stroke) 10 Tooth Spine & thru Hub Exhaust	664-45945-00-EL	3	9-7/8"	10-1/2"	F
		664-45954-00-EL	3	9-7/8"	12"	F
		664-45949-02-EL	3	9-7/8"	13"	F
		664-45952-00-EL	3	9-7/8"	14"	F
	40-55HP 13 Tooth Spine & thru Hub Exhaust	663-45947-02-EL	3	11-5/8"	11"	G
		663-45952-02-EL	3	11-3/8"	12"	G
		69W-45945-00-EL	3	11-1/8"	13"	G
		697-45970-00-98	3	11-1/4"	14"	G
		663-45943-01-EL	3	11"	15"	G
	60-115HP 15 Tooth Spine & thru Hub Exhaust	68845932-60-98	3	13-1/2"	14"	K
		6E5-45947-00-EL	3	13-1/2"	15"	K
		688-45930-01-98	3	13"	17"	K
		6L6-45930-02-98	3	13"	17"	KL
		688-45970-03-98	3	13"	19"	K
		-	3	13-1/2"	19"	K
		3421-133-17	3	13-1/4"	17"	K
		-	4	13"	19"	K
		6G5-45978-00-98	3	13-3/4"	15"	K

Stern Drive	Outboard engine	OEM part No.	Blades	Diameter	Pitch	R
	2.5-6HP 9 Tooth Spine & thru Hub Exhaust	6G5-45978-02-98	3	13-3/4"	17"	M2
		6K1-45978-02-98	3	13-3/4"	17"	ML1
		6G5-45974-03-98	3	13-3/4"	19"	M
		6K1-45974-02-00	3	13-3/4"	19"	ML1
		-	3	13-1/2"	21"	M
		6G5-45972-02-98	3	13-3/4"	21"	M
		6K1-45972-01	3	13-3/4"	21"	ML
		6G5-45945-98	3	14"	19"	M
		-	3	14"	19"	ML
		6K1-45970-10-00	3	14-1/2"	15"	Lift Hand
		68F-45970-10-00	3	14-1/2"	15"	Right Hand
		68F-45972-10-98	3	9-1/4"	17"	Lift Hand
		6G5-45978-03-98	3	14-1/2"	19"	Right Hand
		-	3	14-1/2"	23"	M
		-	3	14-5/8"	23"	M
		-	3	14-5/8"	23"	ML
		-	3	14-1/2"	25"	M
		-	3	14-1/2"	25"	ML
		6R145976-A0	3	15-1/4"	15"	T
		6G5-45970-82-98	3	15-1/2"	17"	Right Hand
		6K1-45970-01-98	3	15-1/2"	17"	Lift Hand
		6AW-45974-10-00	3	15-1/2"	19"	Right Hand
		6AW-45970-10-00	3	15-1/2"	19"	Lift Hand
		6D1-45970-00	3	15-1/4"	19"	Right Hand
		6AW-45974-00-98	3	15-1/4"	19"	Lift Hand
		6D0-45976-00-00	3	15-3/4"	15"	T
		6D1-45972-00	3	15"	21"	Right Hand
		6D0-45972-00-00	3	15"	21"	Lift Hand
-	4	14-1/2"	19"	M		
350-450HP 17 Tooth Spine & thru Hub Exhaust	6AW-45976-20-00	3	15-1/4"	21"	Right Hand	
	6AW-45972-00-00	3	16-1/4"	19"	Right Hand	
	-	3	16-1/4"	19"	Lift Hand	



Outboard engine	OEM part No.	
2HP	646-44352-00	
2.5/3HP	6L5-44352-00	
4/5/6HP	6E0-44352-00	
6-8HP	6G1-44352-00	
	655-44352-09	
6/8/9.9HP	68T-44352-00	
6/8/15HP	662-44352-00	
9.9-15HP	682-44352-03	
8/9.9/15/20HP	68V-44352-00	
20/25HP	6L2-44352-00	
20/25HP	6G0-44352-00	
25/30HP	689-44352-02	
25HP,40HP,50HP	6H4-44352-00	
	697-44352-00	
40HP	6F5-44352-00	
	676-44352-00	
55HP,65HP,70HP	6H3-44352-00	
75HP,85HP,90HP	688-44352-03	
75/80/90/100HP	67F-44352-01	
115/250HP	6E5-44352-00	
225/250/300HP	6CE-44352-00	
300-350HP	6AW-44352-00	



Replacement for Johnson® / Evinrude®

Outboard engine	OEM part No.
9.9/15HP	394711
20/25/30/35HP	393630
40/50HP	438592
40/45/50/55/60HP	5000308
65/70/75HP	432955
75/250HP	5001595
85/300HP	5001594
-	763758



Replacement for Mercury®

Outboard engine	OEM part No.
6/8/9.9/10/15HP	46-42089A5
40-250HP	47-43026Q06
	46-807151A14
	817275A5
	46-96148Q8



Replacement for Suzuki®

Outboard engine	OEM part No.
4/5HP	17400-98652
4/6HP	17400-98661
9.9/15HP	17400-93951
25/30HP	17400-96403
60/70/90/100HP	17400-87E04
90/115/140HP	17400-90J20



ALS Propeller

OUTBOARD ENGINE HIGH PERFORMANCE PROPELLER

NAVIGATION LIGHT

LED Navigation Light 12VDC

For use on boats up to 39.4 ft (12m).

Warm white LED in colored lenses.

Cool white LED in clear lenses.

Vertical mount.

IP 66.

Material: Plastic.

Voltage: DC 12V.

Wattage: 1W.



Model No.	Housing color	Type	Angle	Visibility	LED (SMD 5050)	Lumen
E011021-WHLD	White	Green Starboard light	112.5°	1NM	6 pcs warm white	8 LM
E011021-LD	Black	Green Starboard light	112.5°	1NM	6 pcs warm white	8 LM
E011022-WHLD	White	Red Port light	112.5°	1NM	6 pcs warm white	7 LM
E011022-LD	Black	Red Port light	112.5°	1NM	6 pcs warm white	7 LM
E011023-WHLD	White	White Masthead light	225°	2NM	6 pcs daylight white	67 LM
E011023-LD	Black	White Masthead light	225°	2NM	6 pcs daylight white	67 LM
E011024-WHLD	White	White Stern light	135°	2NM	6 pcs daylight white	55 LM
E011024-LD	Black	White Stern light	135°	2NM	6 pcs daylight white	55 LM
E011025-WHLD	White	Bi-Color bow light	225°	2NM	6 pcs warm white	11 LM
E011025-LD	Black	Bi-Color bow light	225°	2NM	6 pcs warm white	11 LM

LED Navigation Light 12VDC

For use on boats up to 39.4 ft (12m).

50LED with colored lens and black housing. IP 66.

Material: Plastic and S.S.304.

Voltage: DC 12V.

Wattage: 0.54W.

Bi-color light 0.8W.



Model No.	Housing color	Type	Angle	Visibility	LED (SMD 5050)	Lumen
E011011-WHLD	White	Green Starboard light	112.5°	1NM	9 pcs green	10 LM
E011011-LD	Black	Green Starboard light	112.5°	1NM	9 pcs green	10 LM
E011012-WHLD	White	Red Port light	112.5°	1NM	9 pcs red	11 LM
E011012-LD	Black	Red Port light	112.5°	1NM	9 pcs red	11 LM
E011013-WHLD	White	White Masthead light	225°	2NM	9 pcs white	98 LM
E011013-LD	Black	White Masthead light	225°	2NM	9 pcs white	98 LM
E011014-WHLD	White	White Stern light	135°	2NM	9 pcs white	53 LM
E011014-LD	Black	White Stern light	135°	2NM	9 pcs white	53 LM
E011015-WHLD	White	Bi-Color bow light	225°	2NM	6pcs green +6 pcs red	10 LM
E011015-LD	Black	Bi-Color bow light	225°	2NM	6pcs green +6 pcs red	10 LM

NAVIGATION LIGHT

Navigation Light 12VDC

For use on boats up to 39.4 ft (12m).

Horizontal mount. IP66.

Warm white LED in colored lens.

Material: S.S.316 and PC base.

Voltage: DC 12V.

Wattage: Sidelight 1.5W.

Bi-color light 2.2W.



Model No.	Housing color	Angle	Visibility	LED (SMD 5050)	Lumen
E011090(pair)	Green Starboard light	112.5°	1NM	8 pcs warm white	11 LM
	Red Port light	112.5°	1NM	8 pcs warm white	5 LM
E011095	Bi-Color Bow light	112.5°	2NM	11 pcs warm white	11 LM

LED Navigation Sidelight

For use on boats up to 39.4 ft (12m). IP 66. Vertical mount. Material: Plastic



Model No.	Voltage Wattage	Housing	Type	Angle	Visibility	LED (SMD 5050)	Lumen
E011003	12V DC/0.8W	Black	Green Starboard light	112.5°	1NM	12 pcs green	56 LM
			Red Port light	112.5°	1NM	12 pcs red	19 LM
E011004	12V DC/0.8W	Black	Green Starboard light	112.5°	1NM	12 pcs green	38 LM
			Red Port light	112.5°	1NM	12 pcs red	12 LM
E011005-WH	12-24V DC/2W	White	Green Starboard light	112.5°	1NM	15 pcs white	16 LM
			Red Port light	112.5°	1NM	15 pcs white	10 LM
E011005-BK	12-24V DC/2W	Black	Green Starboard light	112.5°	1NM	15 pcs white	16 LM
			Red Port light	112.5°	1NM	15 pcs white	10 LM

NAVIGATION LIGHT

LED Navigation Light 12VDC

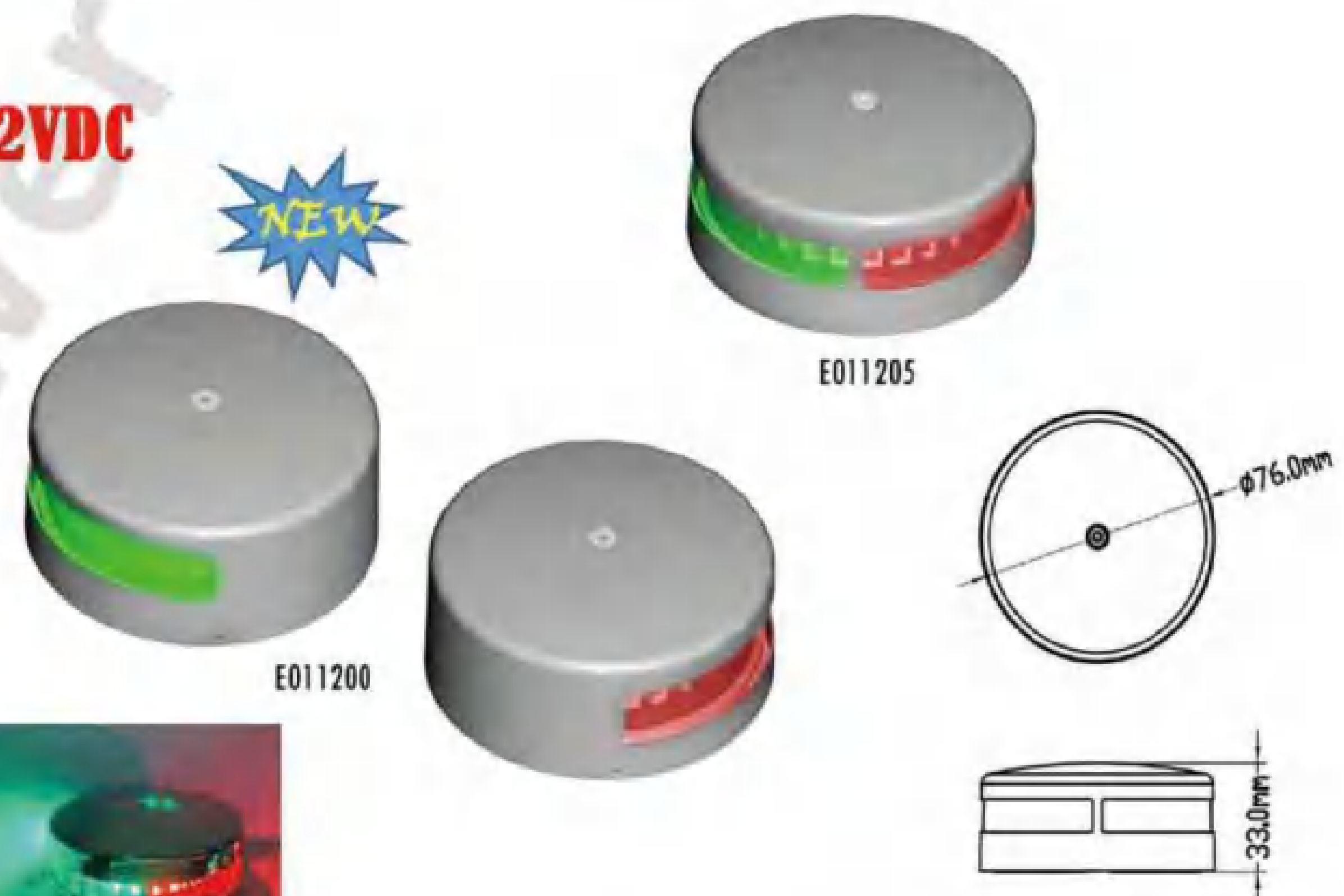
For use on boats up to 39.4 ft (12m).
Horizontal mount. IP 66.
Red and Green LED inclear lenses.
Material: Stainless Steel
Voltage: DC 12V.
Wattage: Sidelight 1W.
Bi-color light 2W.



Model No.	Voltage	Wattage	Type	Angle	Visibility	LED (SMD 5050)	Lumen
E011006(pair)	12VDC	1W	Green Starboard light	112.5°	1NM	2 pcs Green	52 LM
	12VDC	1W	Red Port light	112.5°	1NM	2 pcs Red	18 LM
E011007	12VDC	2W	Bi-Color Bow light	225°	1NM	2 pcs Green+2 pcs Red	65 LM

LED Navigation Light 12VDC

For use on boats up to 69.6 ft (12m).
Horizontal mount. IP 66.
Red and Green LED in clear lenses.
Material: Stainless Steel
Voltage: DC 12V.
Wattage: Sidelight 1.7W
Bi-color light 3.4W

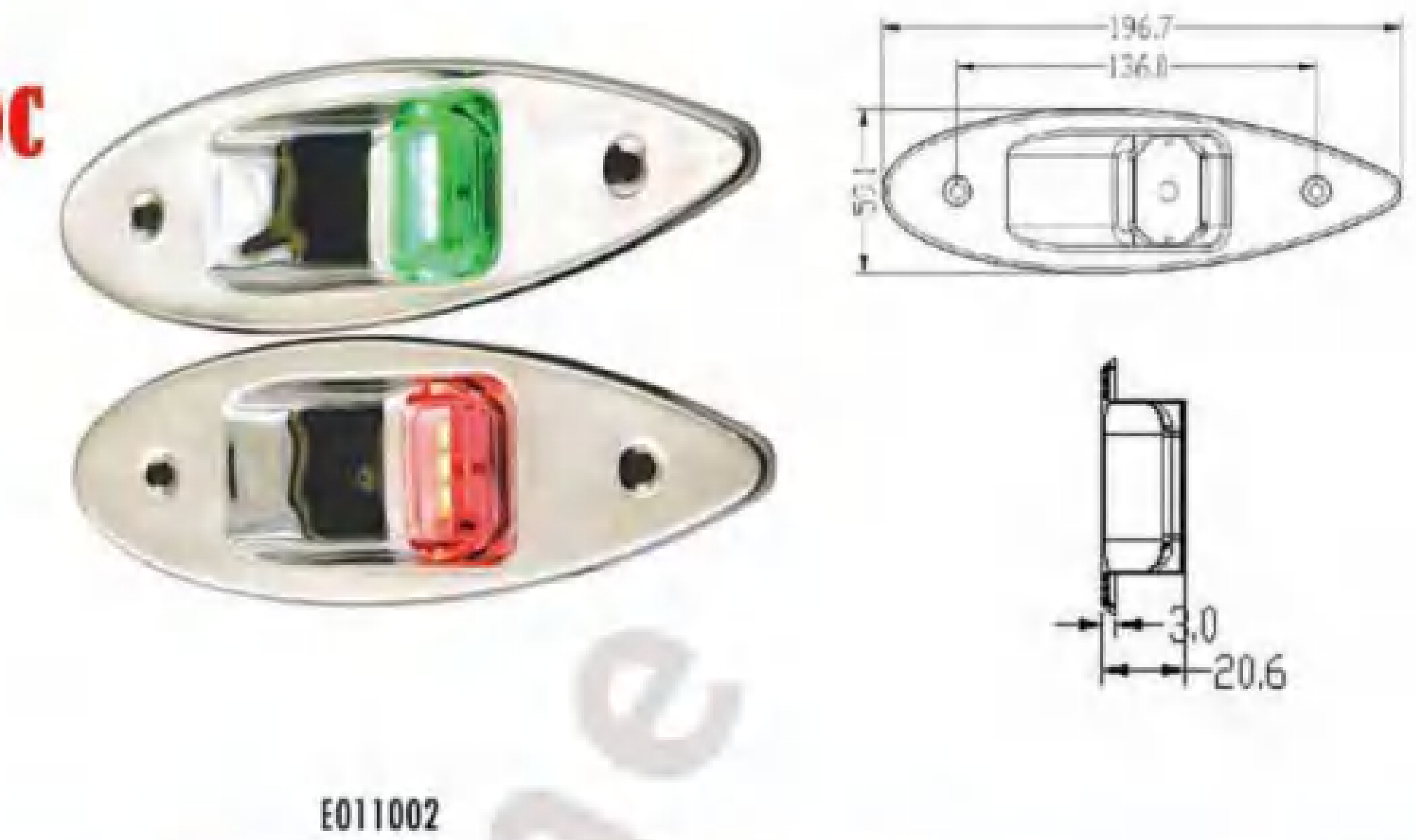


Model No.	Voltage	Type	Angle	Visibility	LED (SMD 5050)	Lumen	
E011200(pair)	12VDC	1.7W	Green Starboard light	112.5°	2NM	2 pcs Green	90 LM
	12VDC	1.7W	Red Port light	112.5°	2NM	2 pcs Red	33 LM
E011205	12VDC	3.4W	Bi-Color Bow light	225°	2NM	2 pcs Green+2 pcs Red	110LM

NAVIGATION LIGHT

LED Navigation Sidelight 12VDC

For use on boats up to 39.4 ft (12m).
Flush mount
IP 66.
Colored LED in clear lens.
Material: S.S.304
Voltage: DC 12V.
Wattage: 1W.
Patent No. 2017215241384,2017305643219



Model No.	Type	Angle	Visibility	LED (SMD 5050)	Lumen
E011002(pair)	Green Starboard light	112.5°	1NM	3 pcs green	62 LM
	Red Port light	112.5°	1NM	3 pcs green	19 LM

Bi-color Bow Light 12VDC

For use on boats up to 39.4 ft (12m).
IP 65. Surface mount. Colored lens.
Material: Chrome-plated zinc.
Voltage: DC 12V.
Wattage: 0.7W.



Model No.	Material	Angle	Visibility	Bulb Type	Vol./Watt	Lumen
E011071	Chrome-plated zinc	225°	1NM	Tungsten lamp	12VDC/8W	/
E011072	Chrome-plated zinc	225°	1NM	LED(12 pcs 5φ)	12VDC/0.7W	5LM
E011073	Stainless Steel	225°	2NM	LED(24pcs "2835")	10-30VDC/2W	50LM

Stern Light 12VDC

For use on boats up to 39.4 ft (12m). IP 65.
Material: S.S.304. Voltage:DC 12V. Wattage; 2.2W. Visibility: 2 NM



Model No.	Type	Color	Angle	Visibility	Bulb Type	Vol./Watt	Lumen
E011053	Round Stem Light	Cool White	135°	2NM	LED(6 pcs SMD2835)	12VDC/2.2W	147 LM
E011053W	Round Stem Light	Warm White	135°	2NM	LED(6 pcs SMD2835)	12VDC/2.2W	147 LM
E011055	Round Stem Light	Blue	135°	2NM	LED(6 pcs SMD2835)	12VDC/2.2W	35LM
E011062	Rectangle Stem Light	Cool White	135°	2NM	LED(6 pcs SMD2835)	12VDC/2.2W	170LM

NAVIGATION LIGHT

LED NAVIGATION LIGHT 12VDC

For use on boats up to 39.4 ft (12m).

Material: Plastic+Stainless Steel

Voltage: 12 VDC.

Wattage: 1.5 W.

Color Temperature:

Daylight white 4000-4500K

IP 65.



Model No.	Base	Height	Bulb Type	Voltage/Watt	Lumen	Base Color
E011502	Plug-in mount	12"(306mm)	LED	12VDC/1.5W	15LM	Black
E011512	Plug-in mount	4"(99mm)	LED	12VDC/1.5W	15LM	Black
E011512-WH	Fixed mount	4"(99mm)	LED	12VDC/1.5W	15LM	White

LED ALL-ROUND LIGHT SERIES 12-24VDC

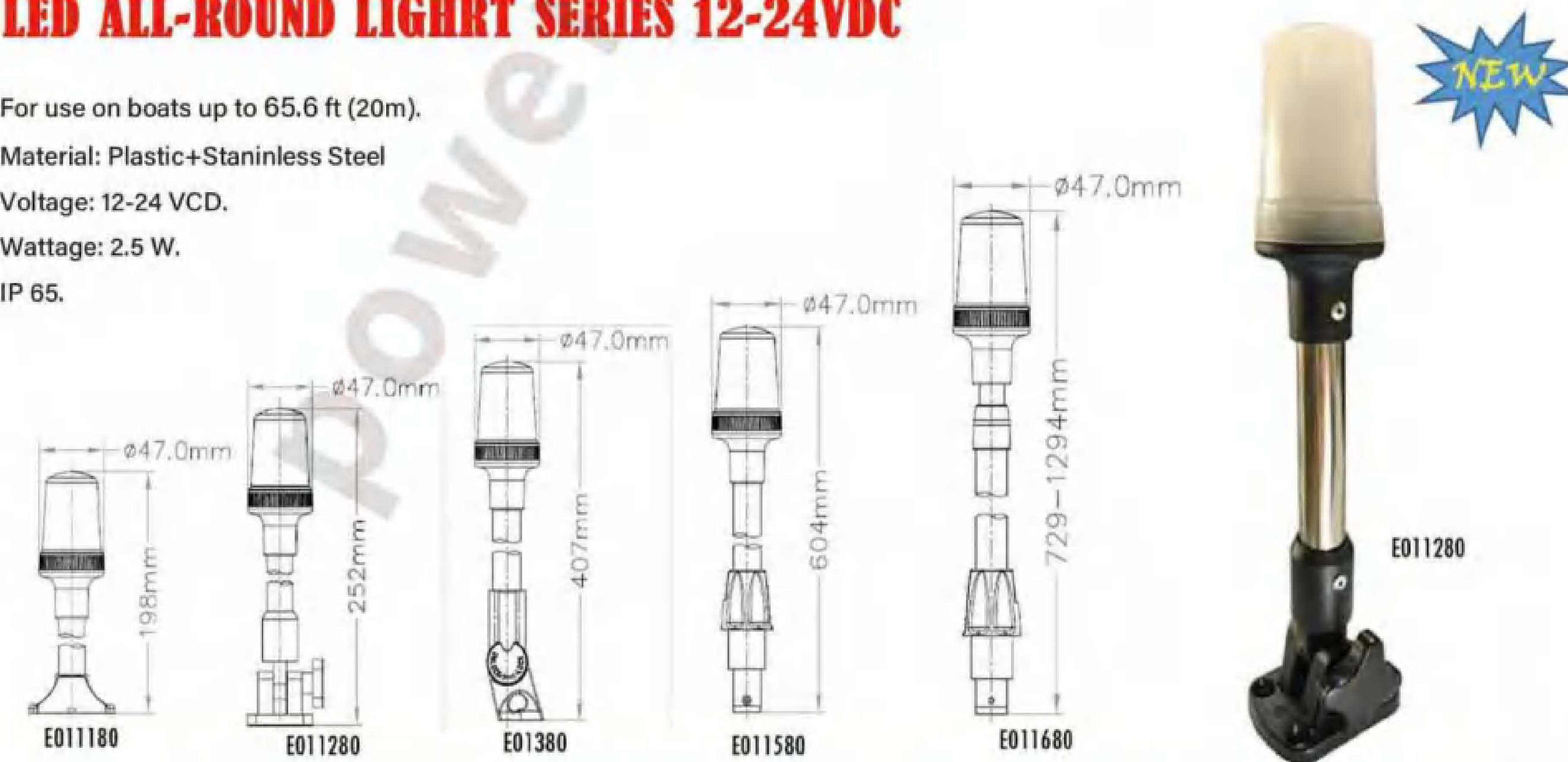
For use on boats up to 65.6 ft (20m).

Material: Plastic+Stainless Steel

Voltage: 12-24 VDC.

Wattage: 2.5 W.

IP 65.



Model No.	Base	Height	Bulb Type	Voltage/Watt	Lumen	Base Color
E011180	Fixed mount	8"(198mm)	LED	12-24VDC/2.5W	250LM	Black
E011280	Adjustable mount	10"(252mm)	LED	12-24VDC/2.5W	250LM	Black
E011380	Adjustable mount	16"(407mm)	LED	12-24VDC/2.5W	250LM	Black
E011580	Plug-in mount	24"(604mm)	LED	12-24VDC/2.5W	250LM	Black

LED ALL-ROUND LIGHT 12-24VDC

USCG 2NM

LED All-Round Light use for boats up to 65.6 ft (20m).

Angle 360°.

Material: Plastic+Stainless Steel

Voltage; 12 VDC.

Wattage; 1.5 W.

Color Temperature:

Daylight white 4000-4500K.

IP 65.



Model No.	Telescopic	Overall Length	Visibility	Voltage/Watt	Lumen	Certificate
E011189-4	Fixed mount	4"(106mm)	2NM	12VDC/1.5W	78LM	USCG 2NM
E011189-7	Fixed mount	7-1/2"(186mm)	2NM	12VDC/1.5W	78LM	USCG 2NM
E011289-9N	Adjustable mount	9-1/2"(241mm)	2NM	12VDC/1.5W	78LM	USCG 2NM
E011289-25N	Adjustable mount	25"(635mm)	2NM	12VDC/1.5W	78LM	USCG 2NM
E011389-16	Adjustable mount	16"(396mm)	2NM	12VDC/1.5W	78LM	USCG 2NM
E011589-24	Plug-in mount	24"(593mm)	2NM	12VDC/1.5W	78LM	USCG 2NM
E011589-36	Plug-in mount	36"(898mm)	2NM	12VDC/1.5W	78LM	USCG 2NM
E011689(Telescopic Aluminum Pole)	Plug-in mount	28-1/4"~50-1/2" (718-1283mm)	2NM	12VDC/1.5W	78LM	USCG 2NM

NAVIGATION LIGHT

LED ALL-ROUND LIGHT SERIES 12-24VDC

For use on boats up to 65.6 ft(20m).

Material: Plastic+Stainless Steel

Voltage: 12-24 VCD.

Wattage: 2.5 W.

Color Temperature:

Daylight white 4000-4500K

IP 65.



Model No.	Base	Height	Bulb Type	Voltage/Watt	Lumen	Base Color
E011042	/	1-3/4"(71mm)	LED	12-24VDC/2.5W	250LM	Black
E011043(Green)	/	1-3/4"(71mm)	LED	12-24VDC/2W	250LM	Black
E011045(Red)	/	1-3/4"(71mm)	LED	12-24VDC/2W	70LM	Black
E011142	Fixed mount	4-7/8"(124mm)	LED	12-24VDC/2.5W	250LM	White
E011142-WH	Fixed mount	4-7/8"(124mm)	LED	12-24VDC/2.5W	250LM	Black
E011142-12	Fixed mount	12-1/2"(318mm)	LED	12-24VDC/2.5W	250LM	Black
E011242-9	Adjustable mount	9-1/2"(248mm)	LED	12-24VDC/2.5W	250LM	Black
E011242-25	Adjustable mount	25"(642mm)	LED	12-24VDC/2.5W	250LM	Black
E011342-16	Adjustable mount	16"(403mm)	LED	12-24VDC/2.5W	250LM	Black
E011542-24	Plug-in mount	24"(600mm)	LED	12-24VDC/2.5W	250LM	Black
E011542-36	Plug-in mount	36"(905mm)	LED	12-24VDC/2.5W	250LM	Black

* 12-24VDC Green or Red LED light available.

LED ALL-ROUND LIGHT SERIES 12-24VDC

For use on boats up to 65.6 ft(20m).

Material: Plastic+Stainless Steel

Voltage: 12-24 VCD.

Wattage: 2.5 W.

Color Temperature:

Daylight white 4000-4500K

IP 65.



Model No.	Base	Height	Bulb Type	Voltage/Watt	Lumen	Base Color
E011042	Fixed mount	1-3/4"(71mm)	LED	12-24VDC/2.5W	250LM	Black
E011043(Green)	Adjustable mount	1-3/4"(71mm)	LED	12-24VDC/2.5W	250LM	Black
E011045(Red)	Adjustable mount	1-3/4"(71mm)	LED	12-24VDC/2.5W	250LM	Black
E011142	Adjustable mount	4-7/8"(124mm)	LED	12-24VDC/2.5W	250LM	White
E011142-WH	Fixed mount	4-7/8"(124mm)	LED	12-24VDC/2.5W	250LM	Black
E011662(Telescopic Aluminum Pole)	Plug-in mount	12-1/2"(318mm)	LED	12-24VDC/2.5W	250LM	Black
		9-1/2"(248mm)	LED	12-24VDC/2.5W	250LM	

Tri-Color LIGHT 12-24VDC

All-Round Light use for boats up to 65.6 ft (20m).

Stainless Steel tube. Angle 360°.



Model No.	Color	Mount Base	Overall Length	Visibility	Bulb Type	Voltage/Watt	Lumen
E011082	White	Adjustable	241mm	2NM	Tungsten lamp	12VDC/10W	/
E011082-LD	White	Adjustable	241mm	2NM	LED	12-24VDC/2.5W	250LM
E011083	White+ Red+Green	Adjustable	241mm	2NM	Tungsten lamp	12VDC/10W	/
E011083-LD	White+ Red+Green	Adjustable	241mm	2NM	LED	12-24VDC/2.5W	250LM

ALL-ROUND LIGHT 12-24VDC

For use on boats up to 65.6 ft(20m).

Material: Plastic+Stainless Steel

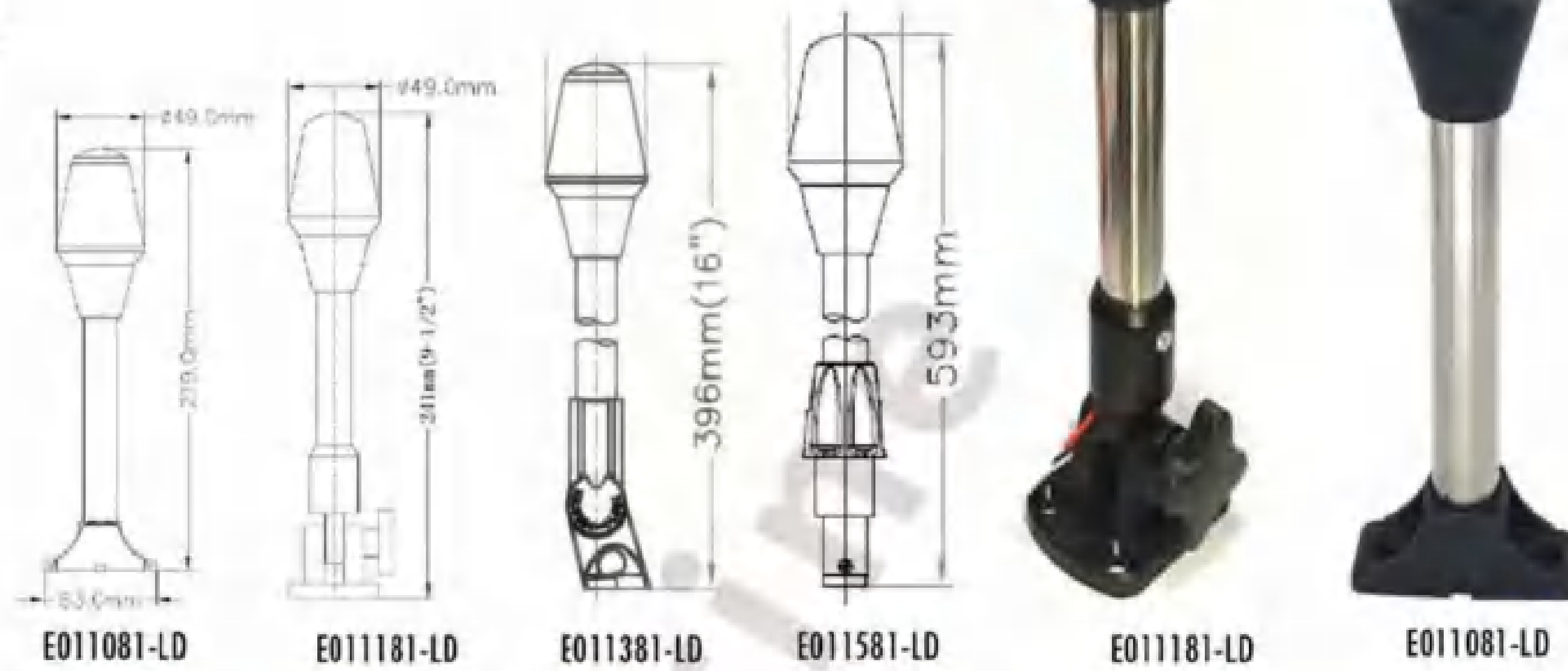
Voltage: 12-24 VDC.

Wattage: 2.5 W.

Color Temperature:

Daylight white 4000-4500K

IP 65.



Model No.	Base	Height	Bulb Type	Voltage/Watt	Lumen	Base Color
E011081	Fixed mount	9"(318mm)	Tungsten lamp	12VDC/8W	/	Black
E011081-LD	Fixed mount	9"(318mm)	LED	12-24VDC/2.5W	206LM	Black
E011181-LD	Adjustable mount	9-1/2"(248mm)	LED	12-24VDC/2.5W	206LM	Black
E011381-LD	Adjustable mount	16"(403mm)	LED	12-24VDC/2.5W	206LM	Black
E011581-LD	Plug-in mount	24"(600mm)	LED	12-24VDC/2.5W	206LM	Black

All-Round and Masthead Light

All-Round Light use for boats up to 39.4 ft (12m).

Stainless Steel tube.

Angle 225°/360°.



Model No.	Mount Base	Overall Length	Visibility	Bule Type	Voltage/Watt	Lumen
E011082	Fixed mount	4"(99mm)	2NM	Tungsten lamp	12VDC/8W*2	/
E011082-LD	Fixed mount	4"(99mm)	2NM	LED	12VDC/3.1W	186LM
E011083	Fixed mount	12"(293mm)	2NM	Tungsten lamp	12VDC/8W*2	/
E011083-LD	Fixed mount	12"(293mm)	2NM	LED	12VDC/3.1W	/
E011083-LD	Adjustable mount	10"(295mm)	2NM	Tungsten lamp	12VDC/8W*2	186LM
E011083-LD	Adjustable mount	10"(295mm)	2NM	LED	12VDC/3.1W	186LM

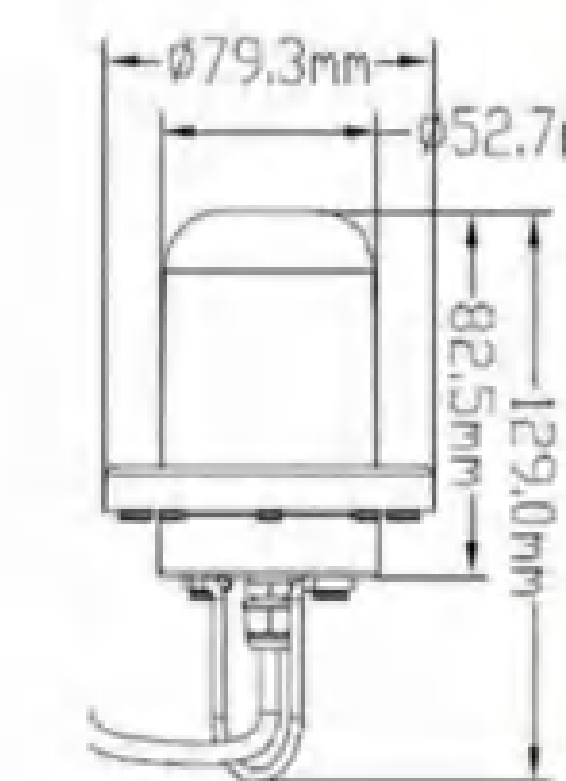
LED Underwater Fishing Light

1) These super bright LED lights are your best choice to attract prawns, squids and fish.

2) These underwater LED lights can penetrate up to 50m through water to attract marine life at night.

Working Voltage: 10-30VDC

Material: PC & Aluminum



Model No.	Color & Color Temperature	LED Power	Wattage (W)	Water Proof Level
E018006-WH	White(5500-6300 k)	60 x 0.5 W	30W	IP 68
E018006-GN	Green	60 x 0.5 W	30W	IP 68
E018006BU	Blue	60 x 0.5 W	30W	IP 68
E018007-WH	White(5500-6300 k)	123 x 0.5 W	30W	IP 68
E018007-GN	Green	123 x 0.5 W	30W	IP 68
E018007-BU	Blue	123 x 0.5 W	30W	IP 68

LED Underwater Fishing Light

1) Applied wide range voltage 10-30V.

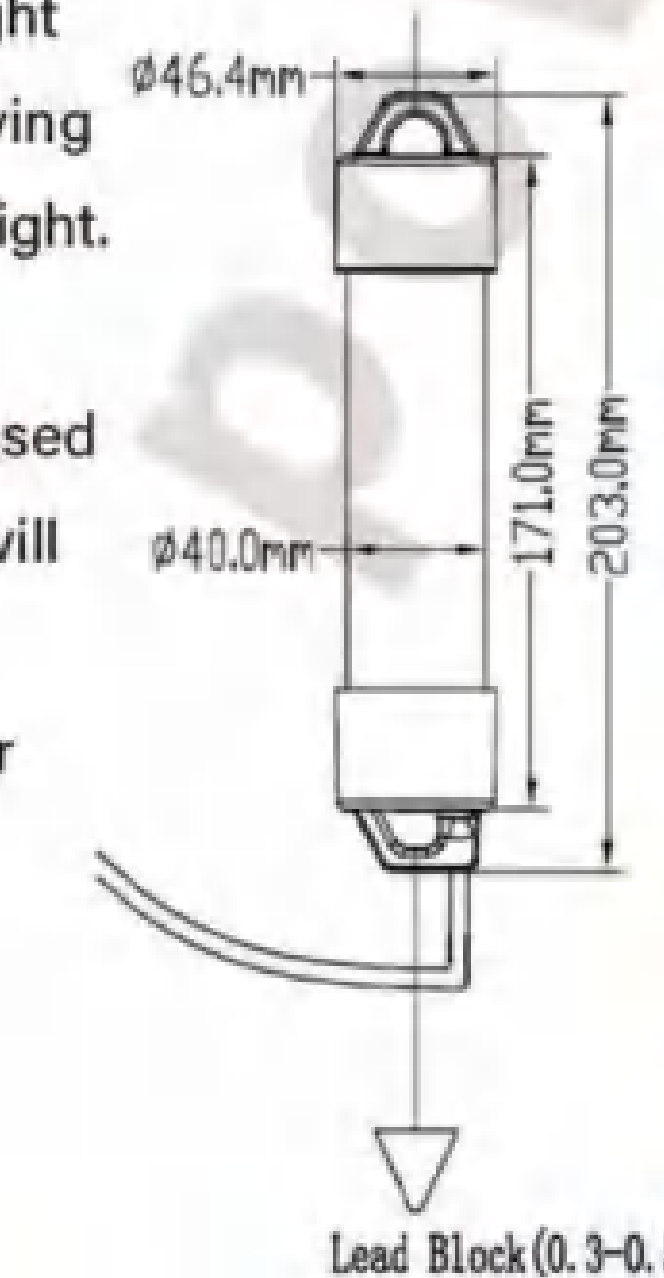
2) Brighter than a 400 watt halogen light with only 45W power consumption, saving 70% electricity than the conventional light.

3) Hexagon hollow aluminum tube is used to lower the temperature rapidly and will prolong the life of the LED.

4) Double-layer waterproof design for better performance.

Working Voltage: 10-30VDC

Material: PC & Aluminum



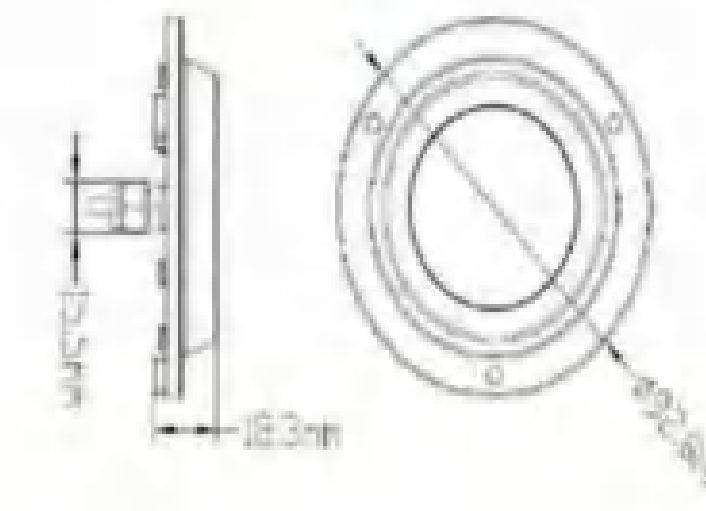
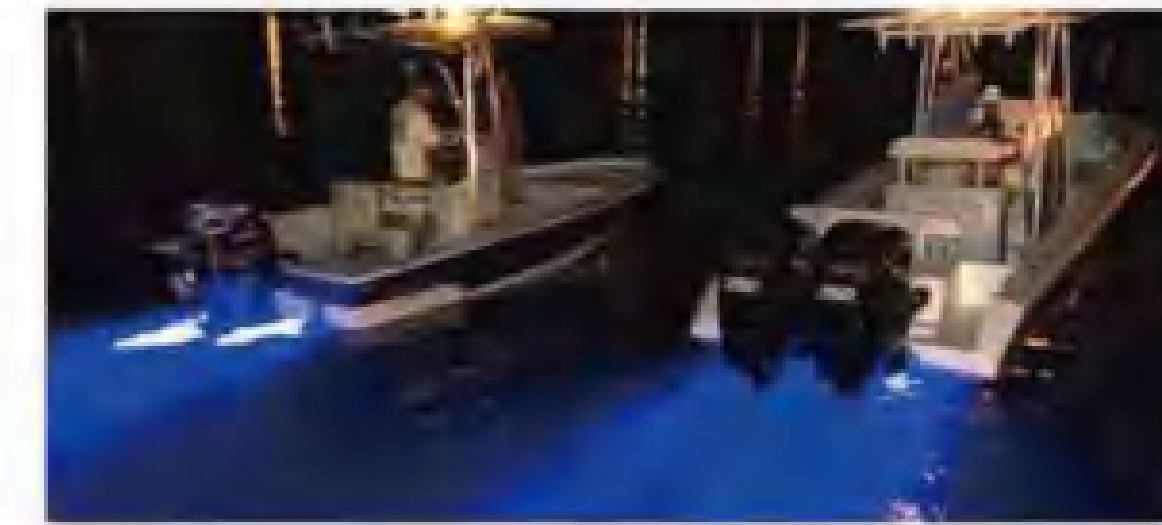
Model No.	Color & Color Temperature	LED Power	Wattage (W)	Water Proof Level
E018008-WH	White(5500-6300 k)	144 x 0.5 W	72W	IP 68
E018008-GN	Green	144 x 0.5 W	72W	IP 68
E018008BU	Blue	144 x 0.5 W	72W	IP 68

UNDERWATER LIGHT

LED Underwater Light

High quality S.S.316 under water light are designed to be internal driver, easy to installed on the boat surface.

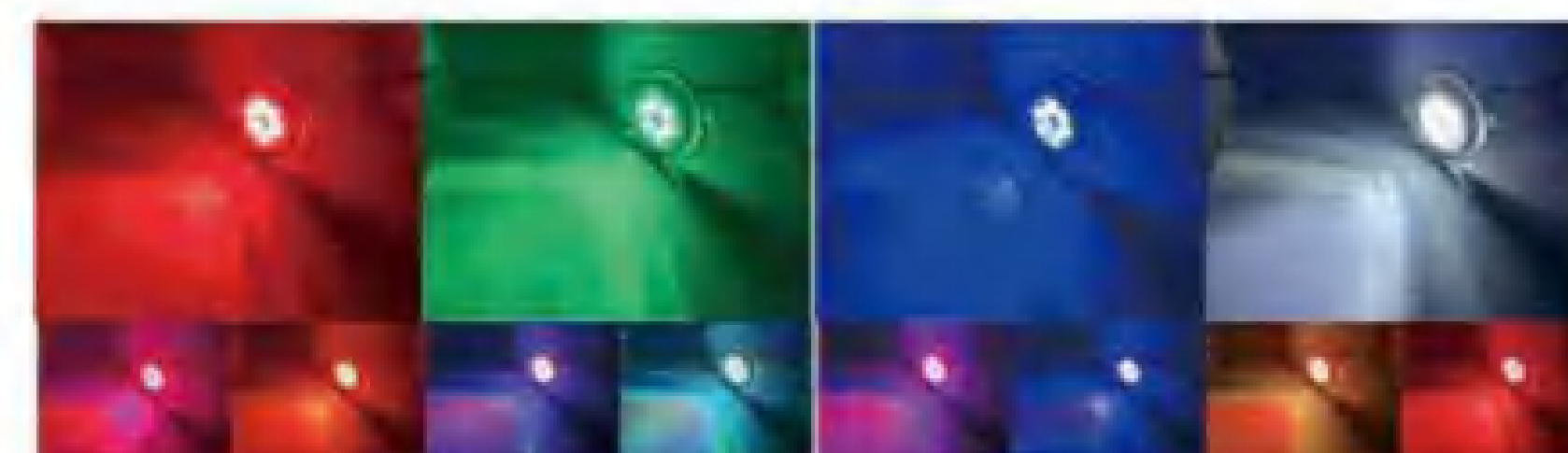
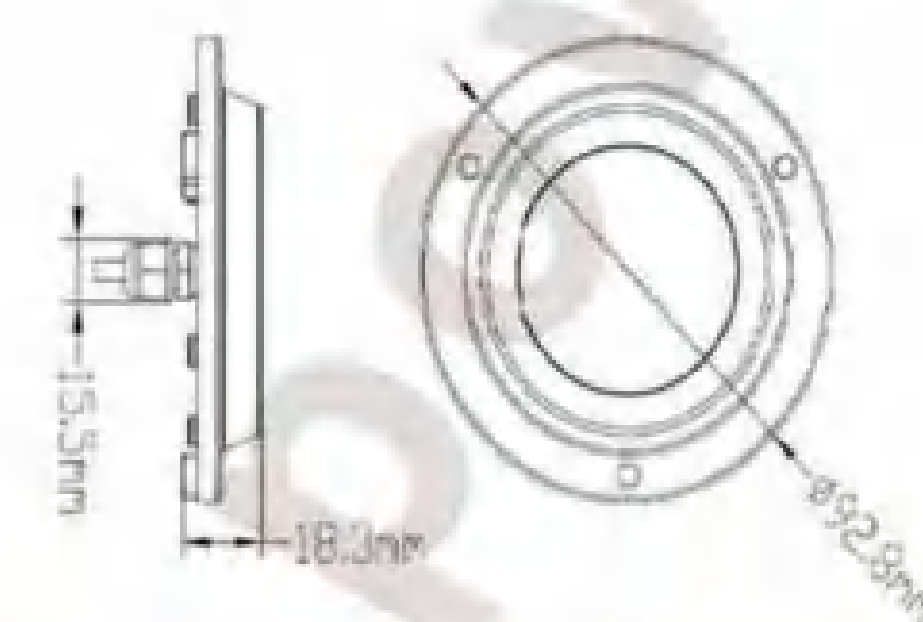
Working Proof Level: IP68
 Cover Material: S.S.316 polished
 Mount Type: Surface mount
 Diameter: 3"-2/3"(92.8mm)



Model No.	Color	LED Power	Output (W)	LED Lumen	Effective Lumen	Color Temperature	Viewing Angle
E019018	White	6 x 3W	12W	6 x 170 LM	590 LM	5500-6300K	90°
E019019	Blue	6 x 3W	12W	6 x 35 LM	125 LM	/	90°

LED Multi-Color Underwater Light

* Working Voltage: 12-24 VDC
 * Water Proof Level: IP68
 * Cover Material: S.S.316 polished
 * Mount Type: Surface mount
 * Diameter: 3"-2/3"(92.8mm)
 * RF remote control (433MHz)/switch control
 * RGBW+7 MUTI-colors
 * 4 type mode
 * Unlimited number of lamps change color at the same time



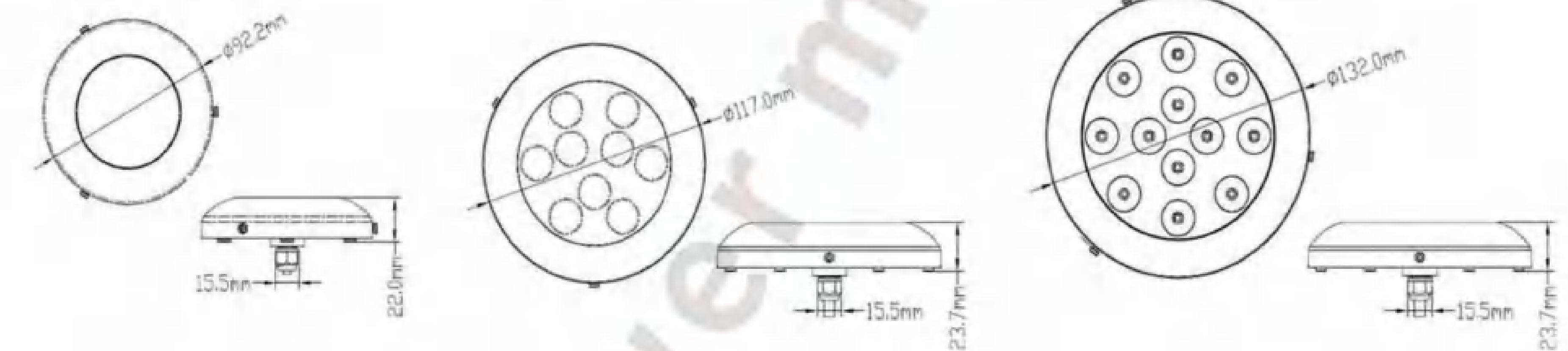
Model No.	Type	LED Type	LED Power (W)	LED Lumen	Viewing Angle
E019021	Muti-Color	4 x 1W RGBW LED	6 x 4W	R:180 LM, G:480 LM, B:102 LM, W:540 LM	90°
E019021-C	Main Controller	/	/	/	/
E019021-C1	Vice Controller	/	/	/	/

UNDERWATER LIGHT

LED Underwater Light Serie

High quality under water light are designed to be internal driver, easy to installed on the boat surface. Extremely bright.

Working Voltage: 10-30 VDC
 Water Proof Level: IP68
 Material: PC/S.S.316



Model No.	Cover Material	Color	LED Power	Output (W)	LED Lumen	Effective Lumen	Diameter (Inch/Meter)	Viewing Angle
E019021	PC	White	3 x 3W	5.6W	3 x 190 LM	363LM	3-2/3"(92mm)	15°
E019022	PC	Blue	3 x 3W	5.6W	3 x 35 LM	84LM	3-2/3"(92mm)	15°
E019121	PC	White	6 x 3W	11.2W	6 x 190 LM	561LM	3-2/3"(92mm)	15°
E019121S	S.S.316	White	6 x 3W	11.2W	6 x 190 LM	561LM	3-2/3"(92mm)	15°
E019122	PC	Blue	6 x 3W	11.2W	6 x 35 LM	84LM	3-2/3"(92mm)	15°
E019122S	S.S.316	Blue	6 x 3W	11.2W	6 x 35 LM	84LM	3-2/3"(92mm)	15°
E019221	PC	White	9 x 3W	18W	9 x 190 LM	1100LM	4-2/3"(119mm)	15°
E019221S	S.S.316	White	9 x 3W	18W	9 x 190 LM	1100LM	4-2/3"(119mm)	15°
E019222	PC	Blue	9 x 3W	18W	9 x 35 LM	270LM	4-2/3"(119mm)	15°
E019222S	S.S.316	Blue	9 x 3W	18W	9 x 35 LM	270LM	4-2/3"(119mm)	15°
E019321	PC	White	12 x 3W	26W	10 x 190 LM	1450LM	5-1/4"(134mm)	15°
E019321S	S.S.316	White	12 x 3W	26W	10 x 190 LM	1450LM	5-1/4"(134mm)	15°
E019322	PC	Blue	12 x 3W	26W	10 x 35 LM	334LM	5-1/4"(134mm)	15°
E019322S	S.S.316	Blue	12 x 3W	26W	10 x 35 LM	334LM	5-1/4"(134mm)	15°

UNDERWATER LIGHT

LED Underwater Light

High quality under water light are designed to be internal driver, easy to installed on the boat surface. Extremely bright.

Working Voltage: 10-30 VDC
Water Proof Level: IP68
Material: PC/S.S.316



Model No.	Cover Material	Color	LED Power	Output (W)	LED Lumen	Effective Lumen	Viewing Angle
E019031	PC	White	3 x 3W	5.6W	3 x 190 LM	3460LM	15°
E019032	PC	Blue	3 x 3W	5.6W	3 x 35 LM	88LM	15°
E019131	PC	White	6 x 3W	11.2W	6 x 190 LM	710LM	15°
E019131S	S.S.316	White	6 x 3W	11.2W	6 x 190 LM	710LM	15°
E019132	PC	Blue	6 x 3W	11.2W	6 x 35 LM	159LM	15°
E019132S	S.S.316	Blue	6 x 3W	11.2W	6 x 35 LM	159LM	15°
E019231	PC	White	10 x 3W	23W	10 x 190 LM	1037LM	15°
E019231S	S.S.316	White	10 x 3W	23W	10 x 190 LM	1037LM	15°
E019232	PC	Blue	10 x 3W	23W	10 x 35 LM	310LM	15°
E019232S	S.S.316	Blue	10 x 3W	23W	10 x 35 LM	310LM	15°
E019331	PC	White	14 x 3W	30W	14 x 190 LM	1550LM	15°
E019331S	S.S.316	White	14 x 3W	30W	14 x 190 LM	1550LM	15°
E019332	PC	Blue	14 x 3W	30W	14 x 35 LM	375LM	15°
E019332S	S.S.316	Blue	14 x 3W	30W	14 x 35 LM	375LM	15°

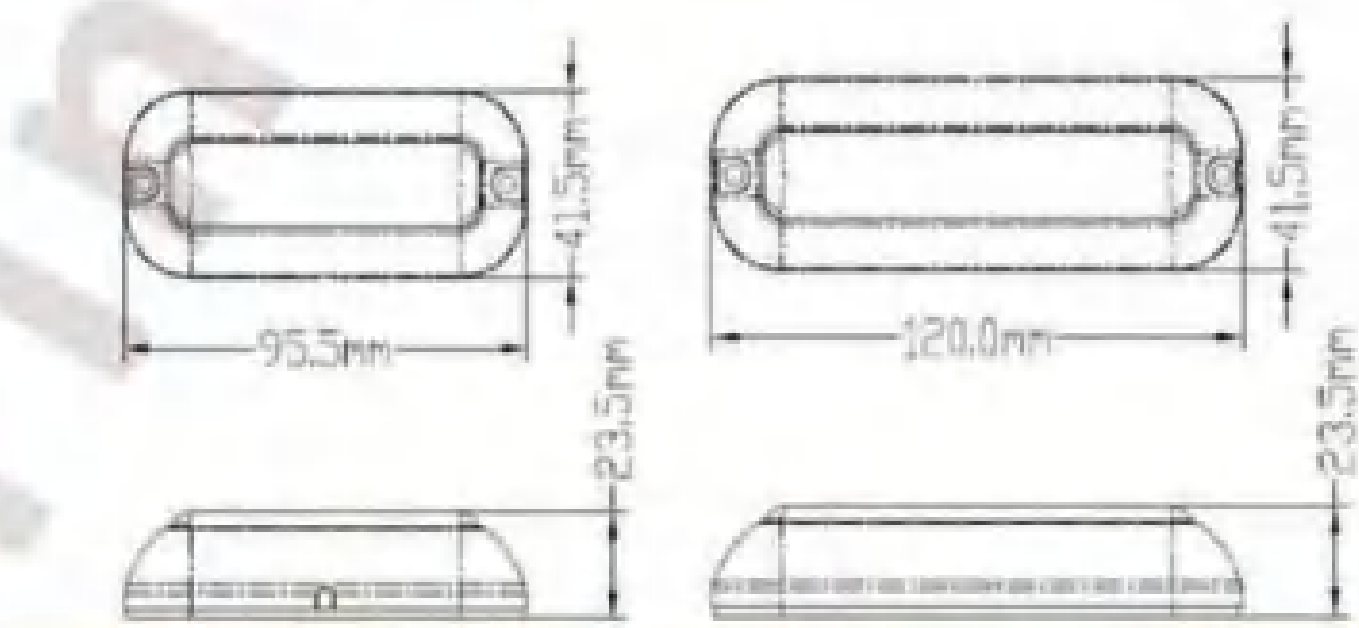
UNDERWATER LIGHT

LED Underwater Light

S.S.316

High quality under water light are designed to be internal driver, easy to installed on the boat surface. Extremely bright.

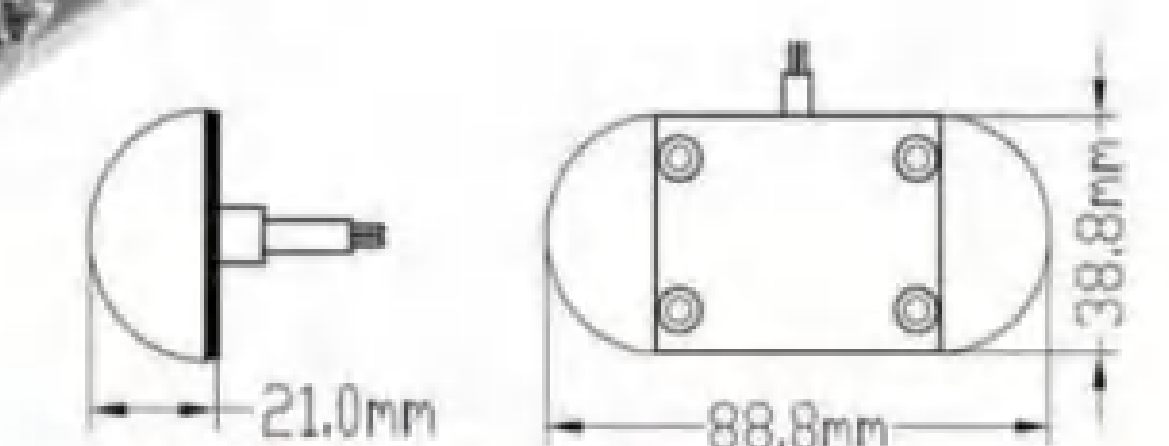
Working Voltage: 10-30 VDC
Water Proof Level: IP68
Material: PC/S.S.316



Model No.	Cover Material	Color	LED Power	Output (W)	LED Lumen	Effective Lumen	Length Inch/Meter	Viewing Angle
E019001	S.S.316	White	27 x 0.2W	3.6W	27 x 24 LM	343LM	3-5/6"(95.5mm)	90°
E019002	S.S.316	Blue	27 x 0.2W	3.6W	27 x 6 LM	74LM	3-5/6"(95.5mm)	90°
E019103	S.S.316	Green	27 x 0.2W	3.6W	27 x 23 LM	340LM	3-5/6"(95.5mm)	90°
E019002-WB	S.S.316	White+Blue	24 x 0.2W*2				3-5/6"(95.5mm)	90°
E019004	S.S.316	Blue	39 x 0.2W	5.2W	39 x 190 LM	710LM	4-3/4"(120mm)	90°
E019005	S.S.316	Blue	39 x 0.2W	5.2W	39 x 35 LM	159LM	4-3/4"(120mm)	90°

LED Underwater Light

Working Voltage: 12 VDC
Water Proof Level: IP68
Mount Type: Surface mount

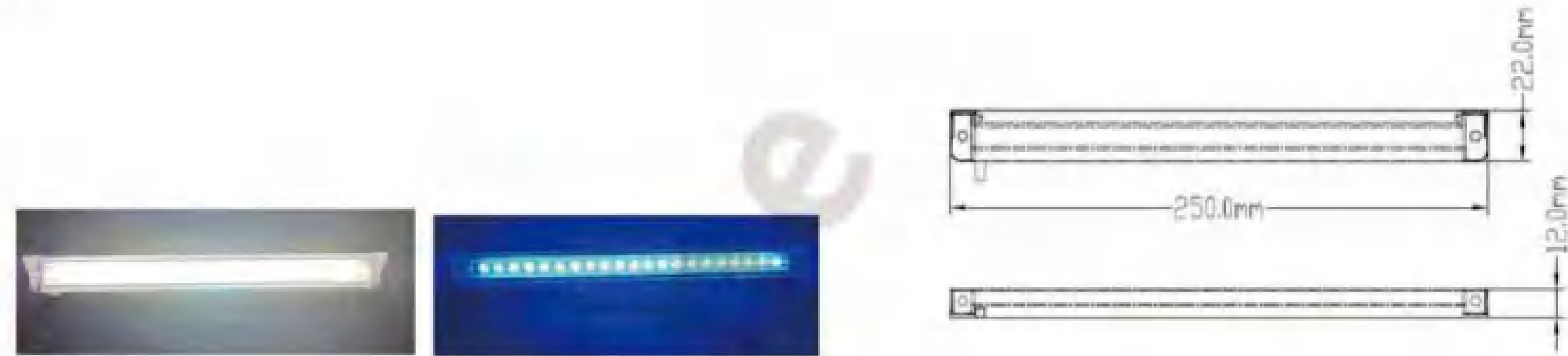


Model No.	Cover Material	Color	LED Power	Output (W)	LED Lumen	Effective Lumen	Length Inch/Meter	Viewing Angle
E018005-WH	PC	White	6 x 0.2W	1.1W	6 x 24 LM	98LM	3-1/2"(89mm)	60°
E018005-BU	PC	Blue	6 x 0.2W	1.1W	6 x 6 LM	18LM	3-1/2"(89mm)	60°

LED Trim Tab Trasom Underwater Light Bar

High quality under water light are designed to be internal driver, easy to installed on the boat surface.

Working Voltage: 12-24 VDC
Water Proof Level: IP68
Mount Type: Surface mount



Model No.	Housing Material	Color	LED Power	Output (W)	LED Lumen	Effective Lumen	Effective Lumen	Viewing Angle
E019007	PC	One pair white	21 x 0.2W	2.4W	21 x 24 LM	314LM	9-5/6"(250mm)	15°
E019008	PC	One pair blue	21 x 0.2W	2.4W	21 x 6 LM	62LM	9-5/6"(250mm)	15°

LED Plug Underwater Light

Material: Brass
Working Voltage: 12 VDC
Water Proof Level: IP68
Mount Type: Plug mount



Model No.	Housing Material	Color	Voltage	LED Power	Output (W)	Effective Lumen	Thread Inch	Viewing Angle
E019011	Brass	White	12VDC	2 x 0.5W	0.4W	16LM	1/2"NPT	60°
E019012	Brass	Blue	12VDC	2 x 0.5W	0.4W	3LM	1/2"NPT	60°
E019014	Brass	White	10-30VDC	1 x 7W	6W	538LM	1/2"NPT	75°
E019015	Brass	Blue	10-30VDC	21 x 0.2W	6W	97LM	1/2"NPT	75°

UNDERWATER LIGHT

LED Oblong Courtesy Light 12VDC

Material: S.S.316 and PC base.
Voltage: 12 VDC.
Wattage: 0.5W.
Flush mount.



Model No.	Material	Color & Color Temperature	LED Power	Protection grade	Effective Lumen
E013106-CWH	PC+S.S.316	Cool White(5500-6300K)	3 x 0.2W	IP67	32LM
E013106-WH	PC+S.S.316	Warm White(5500-6300K)	3 x 0.2W	IP67	32LM
E013106-BU	PC+S.S.316	Blue	3 x 0.2W	IP67	5LM

LED Courtesy Light

Working Voltage: 12 VDC.
Wattage: 0.36W.
Mount Type: Flush mount
Material: S.S.304



Model No.	Material	Color & Color Temperature	LED Power	Protection grade	Effective Lumen
E013041C	PC	Cool White(5500-6300K)	2 x 0.2W	IP67	12.5LM
E013042	PC	Blue	2 x 0.2W	IP67	2LM
E013044C	PC+S.S.316	Cool White(5500-6300K)	2 x 0.2W	IP67	11LM
E013045	PC+S.S.316	Blue	2 x 0.2W	IP67	2LM

LED Courtesy Light

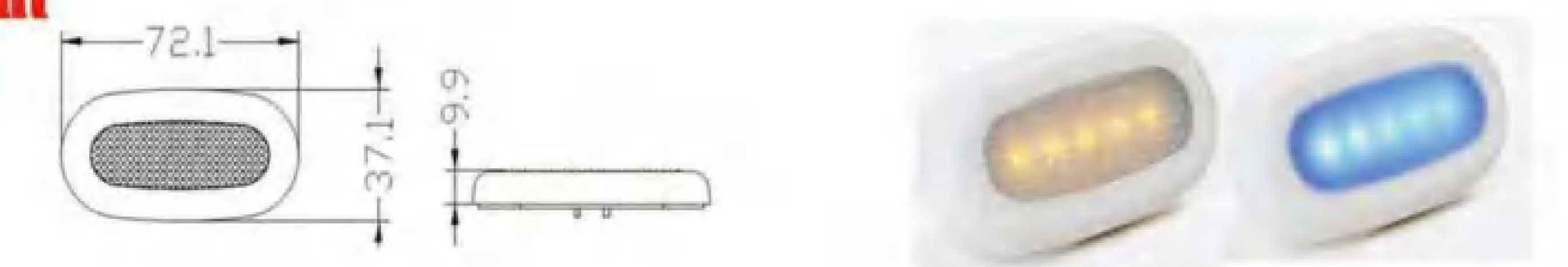
Working Voltage: 12 VDC.
Wattage: 1.2W.
Mount Type: Surface mount
Material: S.S.304



Model No.	Material	Color & Color Temperature	LED Power	Protection grade	Effective Lumen
E012081	PC+S.S.304	Cool White(5500-6300K)	6 x 0.2W	IP67	83LM
E012082	PC+S.S.304	Blue	6 x 0.2W	IP67	22LM

LED Courtesy Light

Working Voltage: 12 VDC.
Wattage: 0.5W.
Mount Type: Surface mount
Material: PC



Model No.	Material	Color & Color Temperature	LED	Protection grade	Effective Lumen
E0113051	PC	Warm White(2900-3200K)	5 pcs	IP65	38LM
E0113051	PC	Blue	5 pcs	IP65	12LM

UNDERWATER LIGHT

LED Courtesy Light

Material: PC
Voltage: 12 VDC
Wattage: 0.5W
Flush mount.



Model No.	Housing Color	Color & Color Temperature	LED Power	Protection grade	Effective Lumen
E013106-CWHW	White	Cool White(5500-6300K)	3 x 0.2W	IP67	32LM
E013106-WHW	White	Warm White(2900-3200K)	3 x 0.2W	IP67	32LM
E013106-BUW	White	Blue	3 x 0.2W	IP67	5LM
E013106-CWHB	Black	Cool White(5500-6300K)	3 x 0.2W	IP67	32LM
E013106-WHB	Black	Warm White(2900-3200K)	3 x 0.2W	IP67	32LM
E013106-BUB	Black	Blue	3 x 0.2W	IP67	5LM

LED License/Courtesy Light

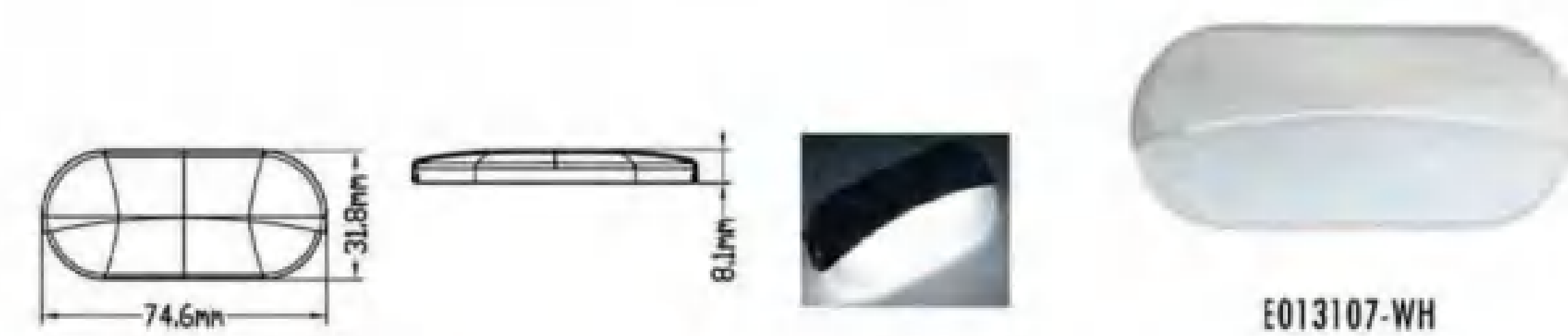
Material: PC
Voltage: 12 VDC
Wattage: 0.6W
Flush mount.



Model No.	Housing Color	Lens	Color & Color Temperature	LED Power	Protection grade	Effective Lumen
E013008-WH	White	Clear	Cool White(5500-6300K)	3 x 0.2W	IP67	46LM
E013108-WH	White	White	Cool White(5500-6300K)	3 x 0.2W	IP67	46LM
E013118-WH	White	White	Blue	3 x 0.2W	IP67	7LM
E013008-BK	Black	Clear	Cool White(5500-6300K)	3 x 0.2W	IP67	46LM
E013108-BK	Black	White	Cool White(5500-6300K)	3 x 0.2W	IP67	46LM
E013118-BK	Black	White	Blue	3 x 0.2W	IP67	7LM

LED Courtesy Light

Material: PC+Stainless Steel.
Voltage: 12 VDC
Wattage: 0.4W
Flush mount.



Model No.	Housing Color	Color & Color Temperature	LED Power	Protection grade	Effective Lumen
E013107-WH	White	Cool White(5500-6300K)	4 x 0.2W	IP67	18LM

Livewell Light

LED Courtesy Light

Voltage: 12 VDC
Wattage: 0.5W
Flush mount.



Material: PC

Model No.	Material	Color & Color Temperature	LED Power	Protection grade	Effective Lumen
E013011	PC	Cool White(5500-6300K)	1 x 0.2W	IP68	12.5LM
E013012	PC	Blue	1 x 0.2W	IP68	2LM
E013021	PC	Cool White(5500-6300K)	1 x 0.2W	IP68	11LM
E013023	PC	Blue	1 x 0.2W	IP68	2LM

LED Courtesy Light

Working Voltage: 12 VDC
Wattage: 0.21W
Mount Type: Flush mount.
Material: PC



Model No.	Material	Color & Color Temperature	LED Power	Protection grade	Effective Lumen
E013101	PC Plating	Cool White(5500-6300K)	1 x 0.2W	Splashproof	2LM

LED Courtesy Light

Working Voltage: 12 VDC
Wattage: 0.23W
Mount Type: Surface mount.
Material: PC



Model No.	Material	Color & Color Temperature	LED Power	Protection grade	Effective Lumen
E013071	PC	Cool White(5500-6300K)	2 x 0.2W	Splashproof	4LM

LED Courtesy Light

Material: PC
Working Voltage: 12 VDC
Wattage: 1.5W
Mount Type: Surface mount.
Can be rotated 360°



Model No.	Material	Color & Color Temperature	LED Power	Effective Lumen	Diameter/H
E013103	PC	Warm White(2900-3200K)	8 x 0.2W	56LM	40*30mm

CEILING LIGHT

LED Ceiling Light

Voltage: DC 12 VDC
Wattage: 1W
Surface mount.



Model No.	Material	Color & Color Temperature	LED Power	Protection grade	Effective Lumen
E012071	PC+S.S.304	Cool White(5500-6300K)	6 x 0.2W	IP67	95LM
E012072	PC+S.S.304	Blue	6 x 0.2W	IP67	13LM

LED Ceiling Light

Working Voltage: 12 VDC
Wattage: 0.5W
Mount Type: Flush mount.
IP Rating: IP66.



Model No.	Material	Color & Color Temperature	LED Power	Wattage	Effective Lumen
E013031	PC	Cool White(5500-6300K)	3 x 0.2W	0.5W	45LM
E013033	PC	Blue	3 x 0.2W	0.5W	8LM
E013034	PC+S.S.304	Cool White(5500-6300K)	3 x 0.2W	0.5W	45LM
E013035	PC+S.S.304	Blue	3 x 0.2W	0.5W	8LM

LED Ceiling Light

Working Voltage: 12 VDC
Wattage: 1W
Mount Type: Flush mount.
IP Rating: IP66.



Model No.	Material	Color & Color Temperature	LED Power	Wattage	Effective Lumen
E012041C	PC	Cool White(5500-6300K)	6 x 0.2W	1W	75LM
E012041	PC	Warm White(2900-3000K)	6 x 0.2W	1W	75LM
E012042	PC	Cool White(5500-6300K)	6 x 0.2W	1W	8LM
E012044C	PC+Stainless Steel	Cool White(5500-6300K)	6 x 0.2W	1W	75LM
E012044	PC+Stainless Steel	Warm White(2900-3000K)	6 x 0.2W	1W	75LM
E012045	PC+Stainless Steel	Blue	6 x 0.2W	1W	15LM
E012046	PC+Stainless Steel	Red	6 x 0.2W	1W	15LM

CEILING LIGHT

LED Ceiling Light 12VDC

Working Voltage: 12 VDC
Wattage: 3.6W
Mount Type: Surface mount.



Model No.	Housing Material	Color & Color Temperature	LED "2835"	Effective Lumen	Lens
E012013	Brass	White(5500-6300K)	20 x 0.2W	260LM	3 inch
E012014	S.S.304	White(5500-6300K)	20 x 0.2W	260LM	3 inch
E012023	Brass	White(5500-6300K)	20 x 0.2W	272LM	4 inch
E012024	S.S.304	White(5500-6300K)	20 x 0.2W	272LM	4 inch
E012024WR30	S.S.304	Red/White(5500-6300K)	20 x 0.2W	272LM	4 inch
E012033	Brass	White(5500-6300K)	20 x 0.2W	268LM	5 inch
E012034	S.S.304	White(5500-6300K)	20 x 0.2W	268LM	5 inch

LED Ceiling Light

Working Voltage: 8-30 VDC
Wattage: 3.1W
Mount Type: Surface mount.



Model No.	Housing Material	Color & Color Temperature	LED "2835"	Effective Lumen	Lens
E012025	S.S.304	White(5500-6300K)	20pcs	98LM	4 inch

LED Ceiling Light

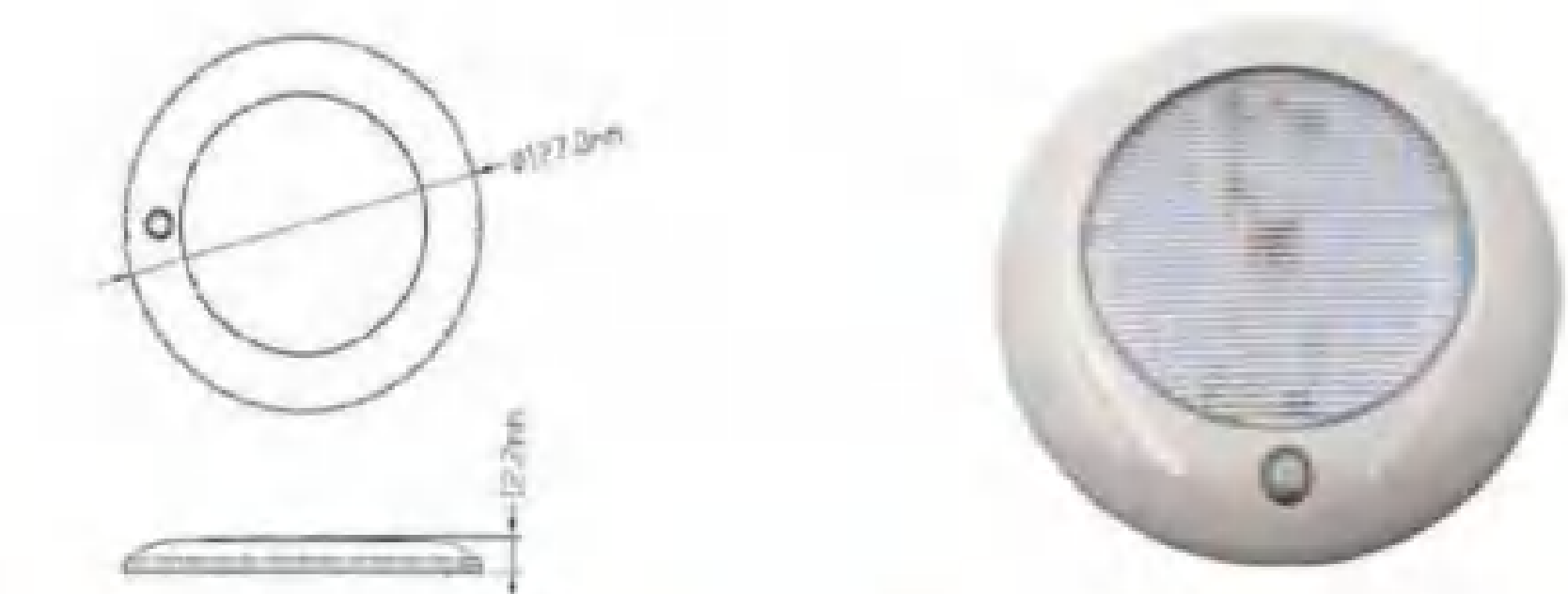
Working Voltage: 12 VDC
Wattage: 4.4W
Mount Type: Surface mount.



Model No.	Housing Material	Color & Color Temperature	LED "2835"	Effective Lumen	Lens
E012052	PC	White(2900-3200K)	24pcs	328LM	4 inch

LED Ceiling Light

Working Voltage: 10-30 VDC
Wattage: 6W
Mount Type: Surface mount.

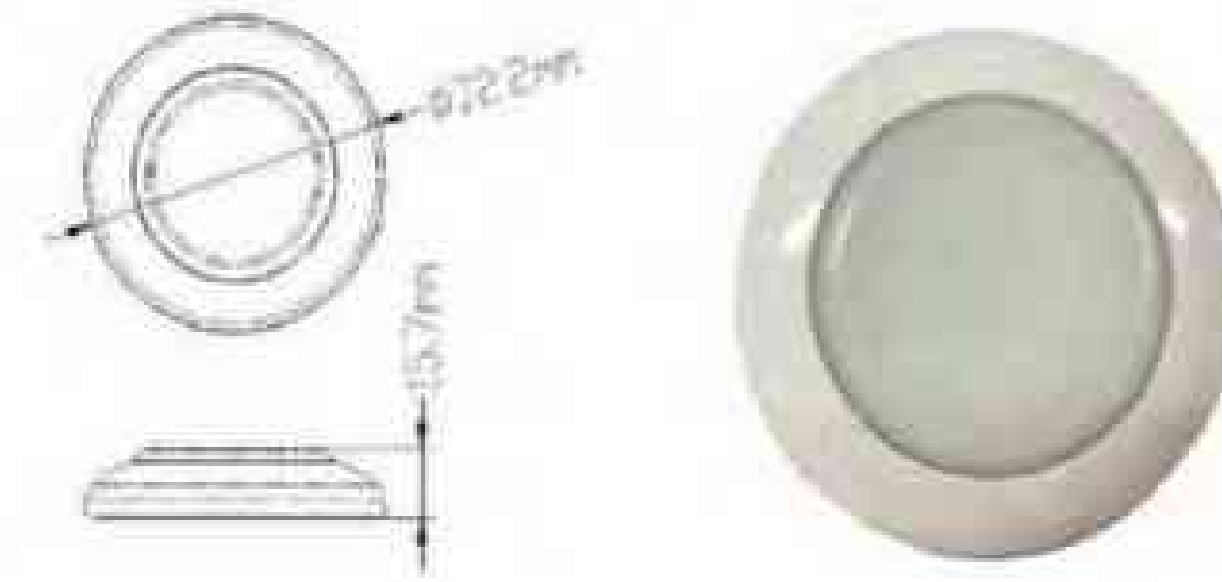


Model No.	Housing Material	Color & Color Temperature	LED	Effective Lumen	Lens
E012008	PC	White(2900-3200K)	42 x 0.2W	390LM	4 inch

CEILING LIGHT

LED Ceiling Light

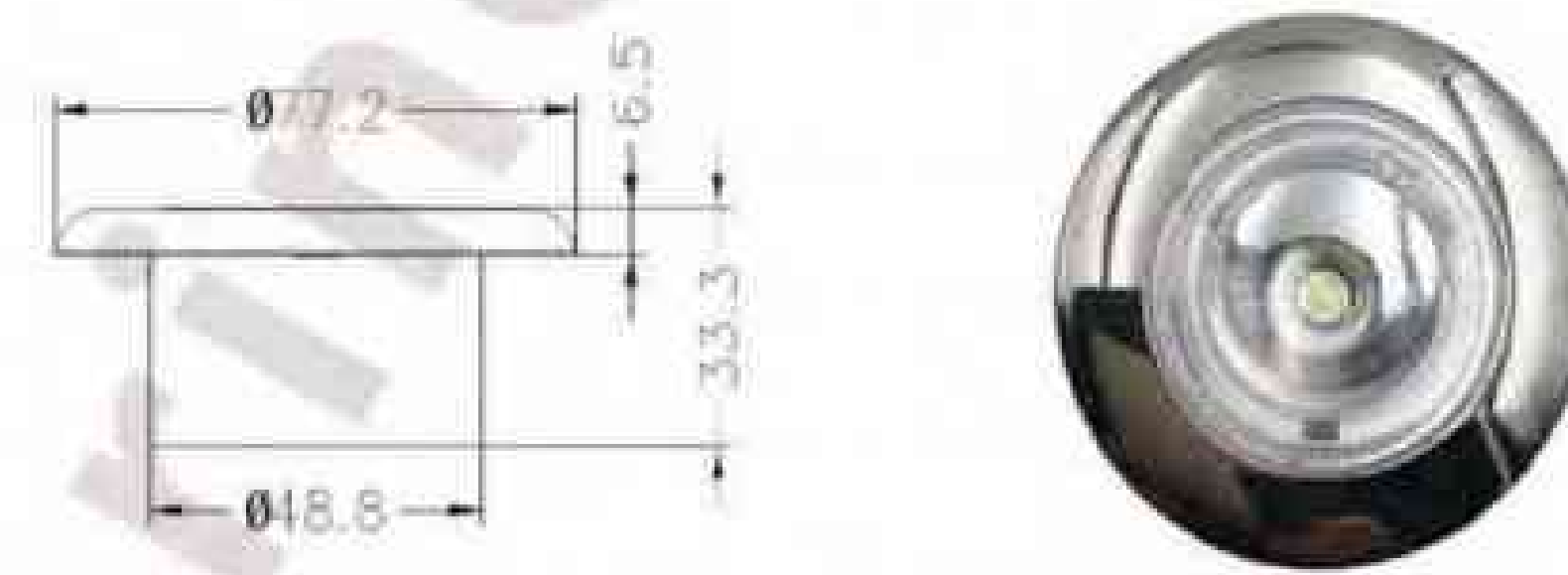
Working Voltage: 12 VDC
Wattage: 2.2W
Mount Type: Surface mount.



Model No.	Material	Color & Color Temperature	LED Power	Wattage	Effective Lumen
E012104	PC	Warm White(2900-3200K)	6 x 0.5W	2.2W	142LM

LED Ceiling Light

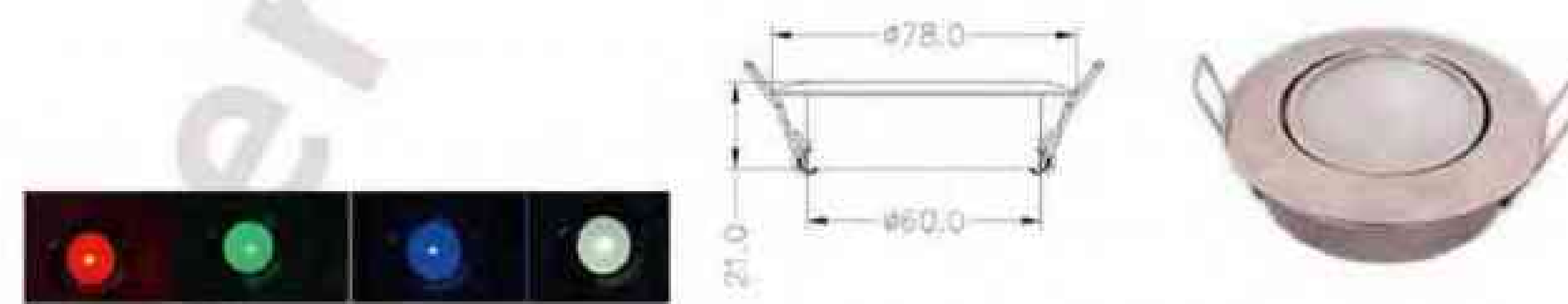
Working Voltage: 12 VDC
Wattage: 1W
Mount Type: Flush mount.



Model No.	Material	Color & Color Temperature	LED	Effective Lumen
E012105	PC	Warm White3000K+RGB	1*W	31LM

LED Ceiling Light

Working Voltage: 8-30 VDC
Wattage: 3W
Mount Type: Surface mount.



Model No.	Housing Material	Color & Color Temperature	LED	Effective Lumen
E018001	Stainless Steel	RGB(White 5500-6300K)	1*3W	White: 83LM Red: 32LM Green: 74LM Blue: 17LM

LED Ceiling Light

Working Voltage: 8-30 VDC
Wattage: 3W
Mount Type: Surface mount.



Model No.	Housing Material	Color & Color Temperature	LED	Effective Lumen
E012001	Stainless Steel	White (5500-6300K)	1*3W	110LM

CEILING LIGHT

LED Strip Light 12VDC

Working Voltage: 12 VDC
Mount Type: Surface mount.



Model No.	Housing Material	Color & Color Temperature	LED''5050''	Wattage	Lenght	IP Rating
E014052	Aluminum	Warm White(2900-3200K)	18 pcs	3W	300mm	IP67

LED Strip Light

Working Voltage: 12 VDC
Wattage: 1W
Mount Type: Surface mount.



Model No.	Housing Material	Color & Color Temperature	LED''2835''	Wattage	Effective Lumen	IP Rating
E014031	PC	Warm White(5500-6300K)	6 x 0.2W	1.2W	73LM	IP67
E014032	PC	Blue	6 x 0.2W	1.2W	12LM	IP67
E014033	PC	Blue	15 x 0.2W	3W	55LM	IP67
E014034	PC	Warm White(5500-6300K)	15 x 0.2W	3W	202LM	IP67

LED Strip Light

Working Voltage: 12 VDC
Wattage: 1W
Mount Type: Surface mount.

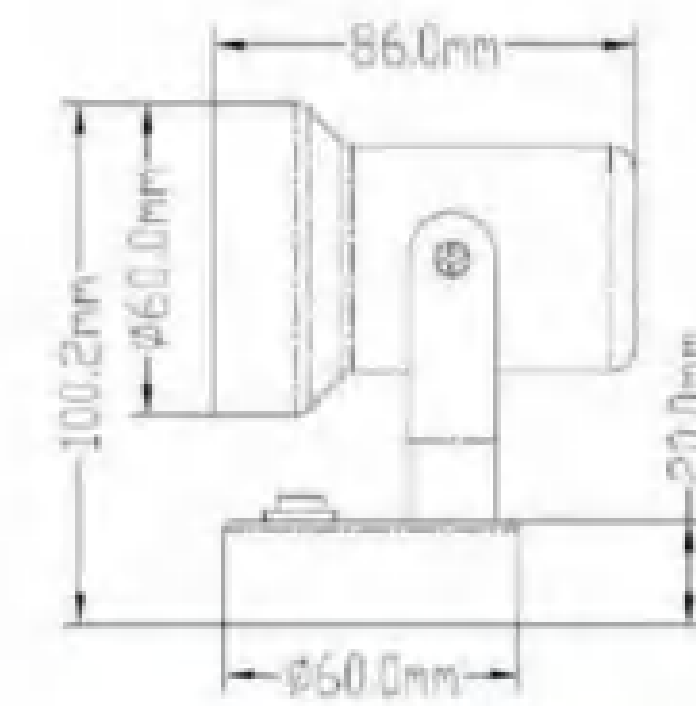


Model No.	Housing Material	Color & Color Temperature	LED''2835''	Wattage	Effective Lumen	IP Rating
E014041	PC	Warm White(5500-6300K)	6 x 0.2W	1.2W	73LM	IP67
E014042	PC	Blue	6 x 0.2W	1.2W	12LM	IP67
E014043	PC	Blue	15 x 0.2W	3W	55LM	IP67
E014044	PC	Warm White(5500-6300K)	15 x 0.2W	3W	202LM	IP67

CEILING LIGHT

LED Reading Light

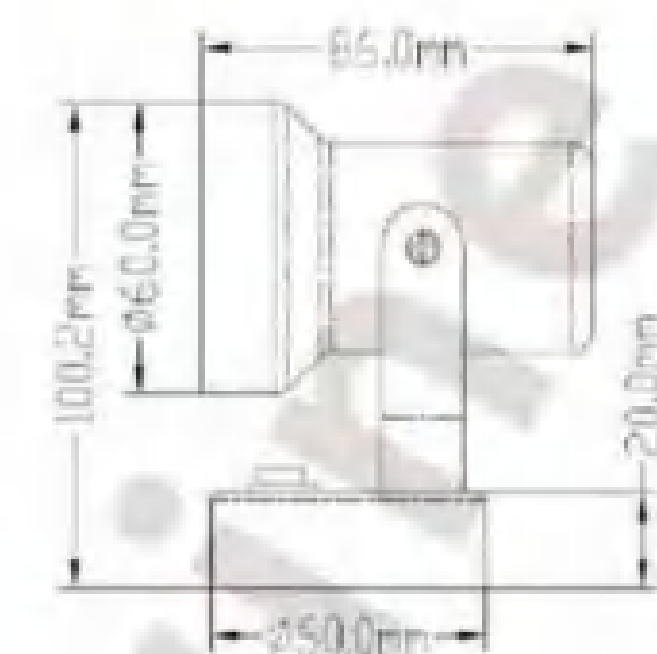
Working Voltage: 12 VDC
Wattage: 3.1W
Mount Type: Surface mount.



Model No.	Housing Material	Color & Color Temperature	LED* 2835*	Effective Lumen
E015001	Stainless Steel	Warm White(2900-3200K)	16 pcs	102LM

LED Reading Light

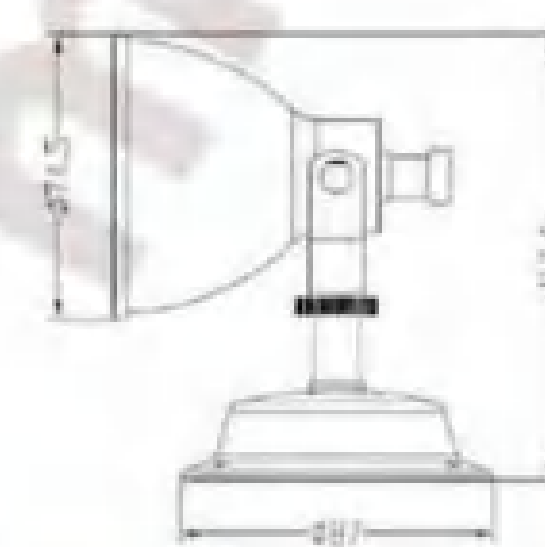
Working Voltage: 12 VDC
Wattage: 3.1W
Mount Type: Surface mount.



Model No.	Housing Material	Color & Color Temperature	LED* 2835*	Effective Lumen
E015002	Stainless Steel	Warm White(2900-3200K)	16 pcs	102LM

LED Brass Reading Light

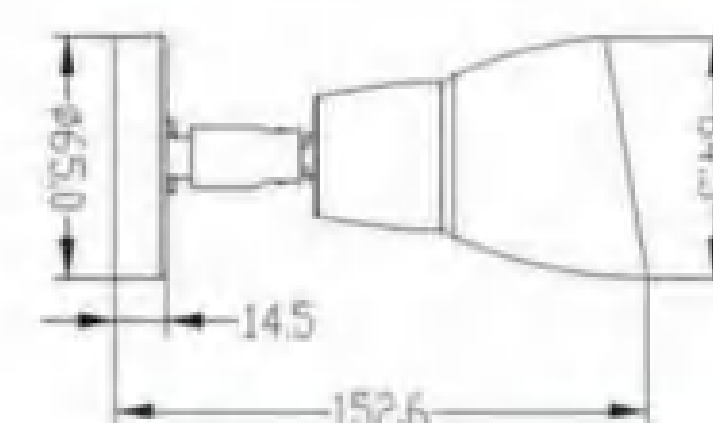
Working Voltage: 12 VDC
Wattage: 0.5W
Mount Type: Surface mount.



Model No.	Housing Material	Color & Color Temperature	LED* Φ5*	Effective Lumen
E015011	Brass Lacquered	Warm White(2900-3200K)	12 pcs	26LM

LED Reading Light

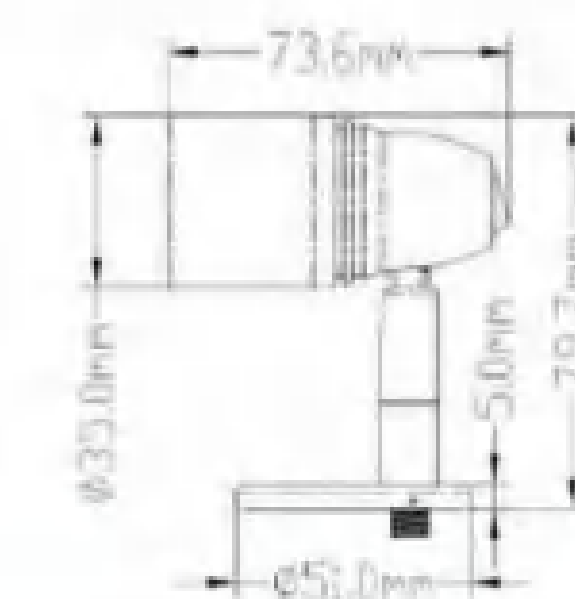
Working Voltage: 8-30 VDC
Wattage: 3.1W
Mount Type: Surface mount.



Model No.	Housing Material	Color & Color Temperature	LED	Wattage	Effective Lumen
E015011	Stainless Steel	Warm White(2900-3200K)	1 x 3W	3.1W	92LM
E015032	Brass Lacquered	Warm White(2900-3200K)	1 x 3W	3.1W	92LM
E015033	Stainless Steel	Warm White(2900-3200K)	G4(12 x 0.2W*2835)	2.4W	240LM

LED Brass Reading Light

Working Voltage: 10-30 VDC
Wattage: 2W
Mount Type: Surface mount.



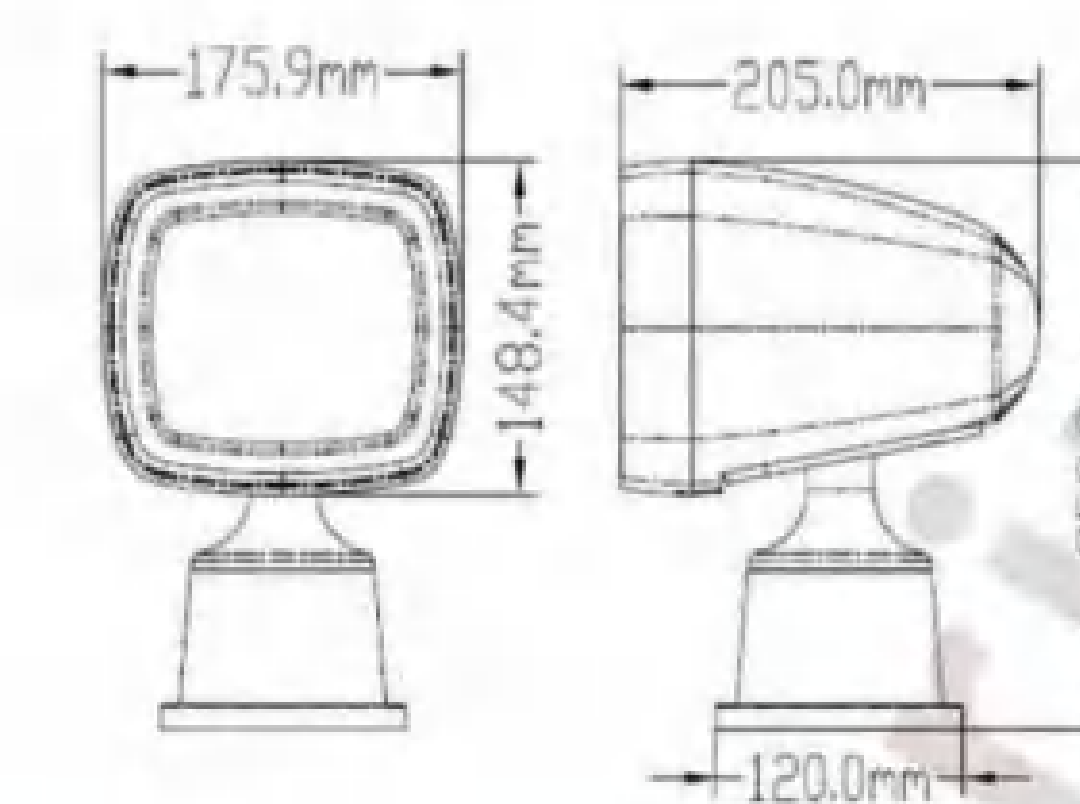
Model No.	Housing Material	Color & Color Temperature	LED	Effective Lumen
E015045	Brass Lacquered	Warm White(2900-3200K)	12 x 0.2W	52LM
E015046	Chrome Plated Brass	Warm White(2900-3200K)	12 x 0.2W	52LM

SPOT LIGHT

LED Spot Light 8-30 VDC

1) High quality LEDs for maximum light output and energy efficiency.
2) Perfect beams of light to eliminate dark spot.
3) Extremely bright.

Working Voltage: 10-30 VDC
LED Wattage: 60W.
Mount Type: Surface mount
Rotation: 355° & 70°
50M distance RF remote control
IP Rating: IP65



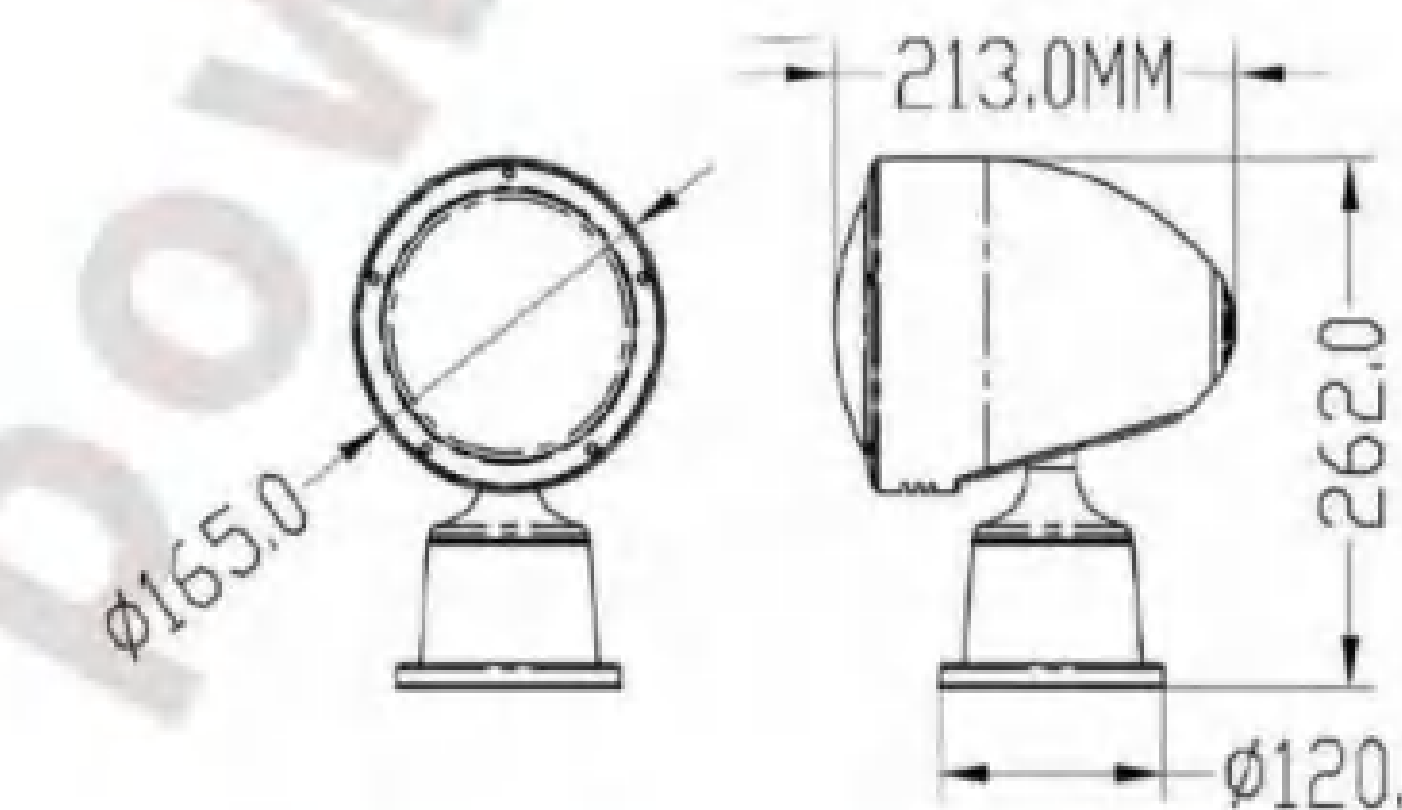
Patent No.2017215246751,2017305640263

Model No.	Housing Material	Color & Color Temperature	LED	Effective Lumen	Viewing Angle
E016001	PC	White(5500-6300K)	12 x 5W	1600 LM	8°

LED Spot Light 8-30 VDC

1) High quality LEDs for maximum light output and energy efficiency.
2) Perfect beams of light to eliminate dark spot.
3) Extremely bright.

Working Voltage: 10-30 VDC
LED Wattage: 45W.
Mount Type: Surface mount
Rotation: 355° & 70°
50M distance RF remote control
IP Rating: IP65



Model No.	Housing Material	Color & Color Temperature	LED	Effective Lumen	Viewing Angle
E016002	PC	White(5500-6300K)	9 x 5W	1600 LM	8°

INFORMATION FOR PROSPECTIVE AGENTS

We are accepting agent applications from reputable individuals and businesses, who are able to refer qualified and genuine clients to us. If you are interested in working with Power as one of our registered agent/representative. Kindly send the following information by email to: andy@power-marine.net

- Your name.
- If applicable, the Name of your Business and the Name of Business/Company Owners.
- Your Resume/CV (Detailed information about you).
- If applicable, your Business/Company Profile.
- Your Contact Address or Business Address.
- Phone number(s).
- Email address.
- Your Website and Social Media details/URL (if any).
- Information about your Primary Market(s) (i.e. cities where most of your clients will come from).
- Your Promotion and Marketing Tactics/Strategy.
- How did you hear about us? (e.g. family/friend, Facebook, Google search, Flyer, etc.).
- Optional: Any Additional Relevant Information.

Kindly note that to become an agent of Power, you must complete a 3-Step Screening Process. This is to ensure that we only work with trustworthy, professional, and reliable individuals/businesses. By providing the above information, you have completed Step 1. If selected, we will notify you by email on the next steps (i.e. steps 2 & 3).

Thank you in advance for your interest in working with Power!



Design and development



Marine grade raw materials



Mold manufacturing



Wax Pattern



Laser Cutting



Casting Pouring



Machining



Spectrometer Detection



Mirror Polishing



Welding



CNC Machine



Warehouse